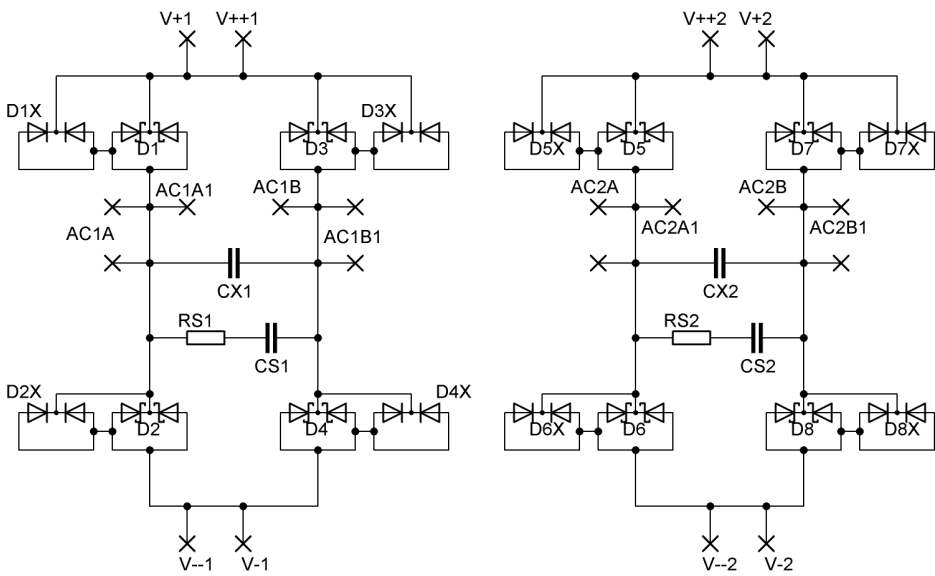


# diyAudio PSU board v3.0

## Discrete Diode Bridge



by jojod818

## Filter Cap Bank and PI Filter

