

6 5 4 3 2 1

REVISION RECORD			
LTR	ECO NO:	APPROVED:	DATE:

D

D

C

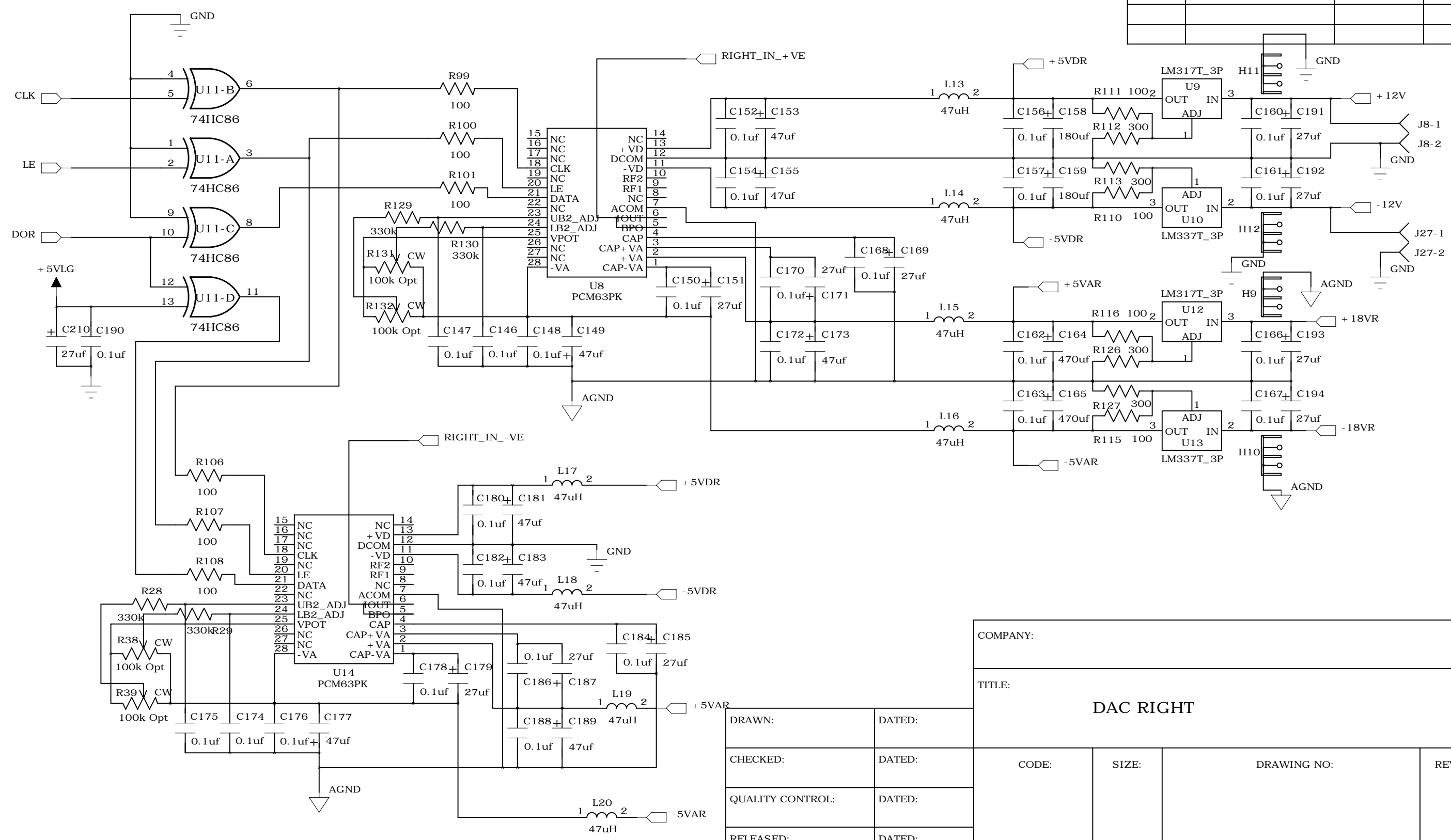
C

B

B

A

A



COMPANY:			
TITLE: <b>DAC RIGHT</b>			
DRAWN:	DATED:	CODE:	REV:
CHECKED:	DATED:	SIZE:	DRAWING NO:
QUALITY CONTROL:	DATED:	SHEET: OF 6	
RELEASED:	DATED:	SCALE:	

6

5

4

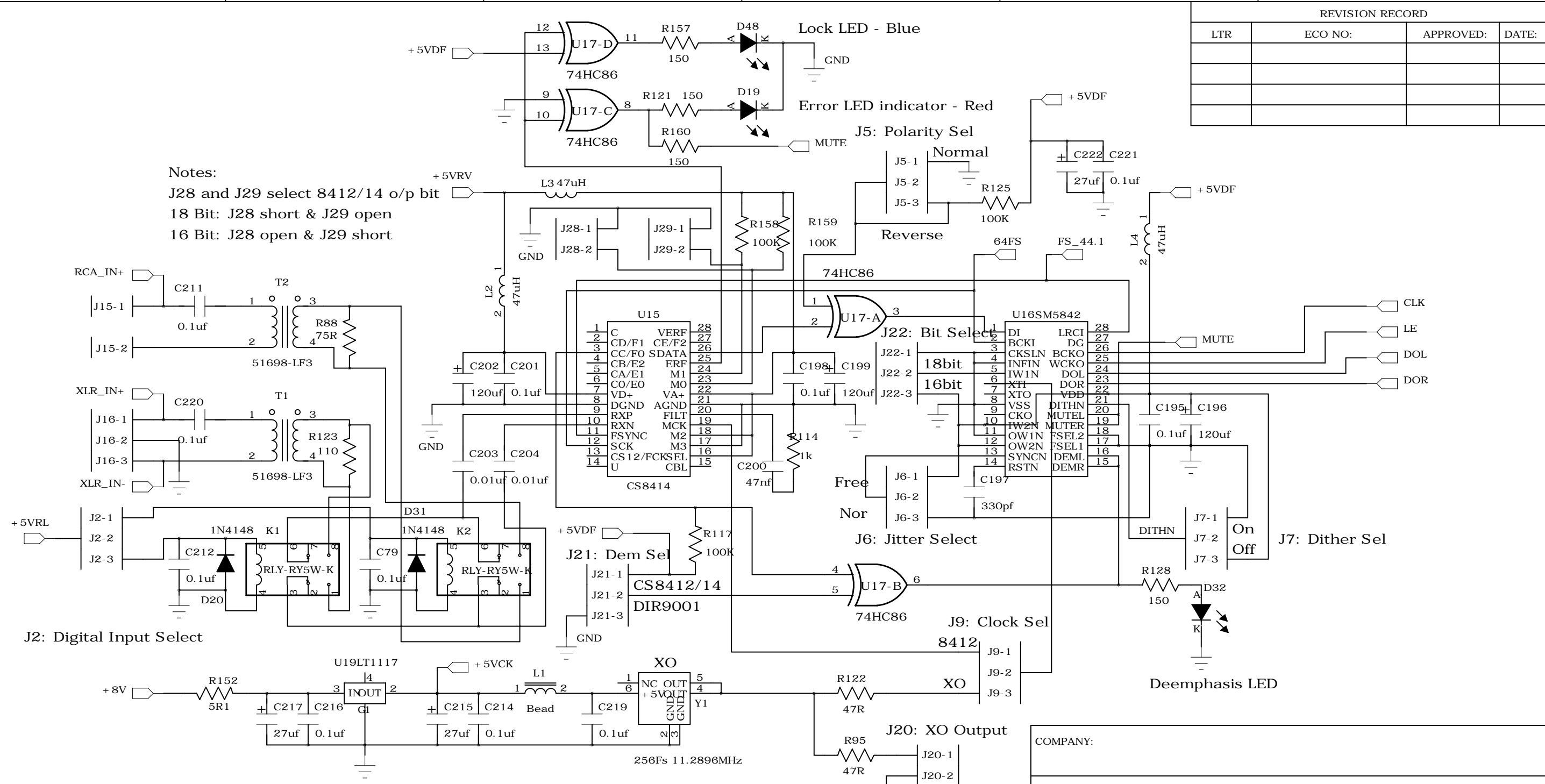
3

2

1

REVISION RECORD			
LTR	ECO NO:	APPROVED:	DATE:

Notes:  
 J28 and J29 select 8412/14 o/p bit  
 18 Bit: J28 short & J29 open  
 16 Bit: J28 open & J29 short



COMPANY:			
TITLE: <b>RECEIVER &amp; DIGITAL FILTER + CLOCK</b>			
DRAWN:	DATED:	CODE:	REV:
CHECKED:	DATED:	SIZE:	DRAWING NO:
QUALITY CONTROL:	DATED:	DRAWING NO:	
RELEASED:	DATED:	SCALE:	SHEET: OF 7

6

5

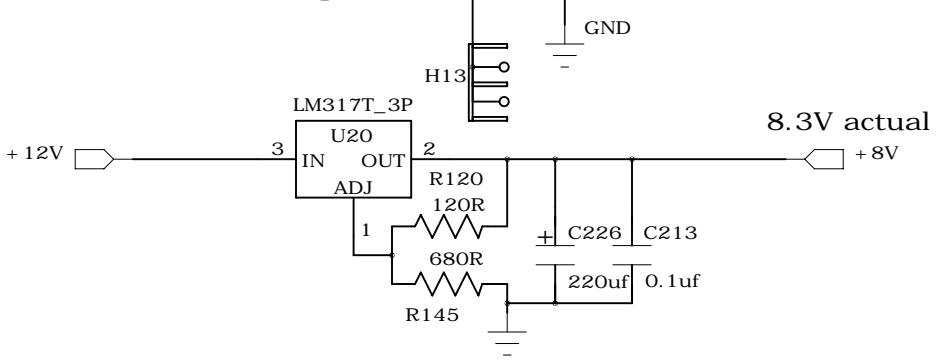
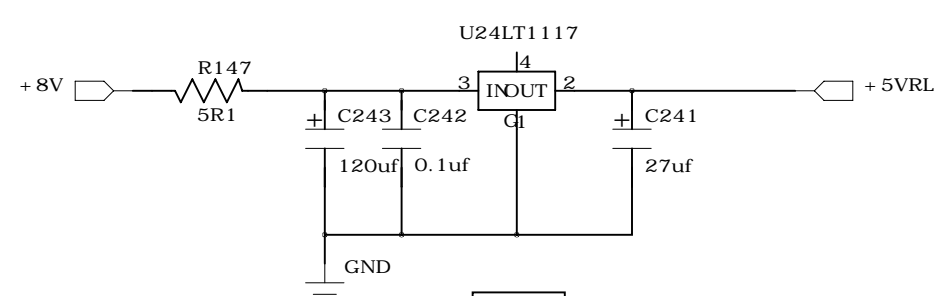
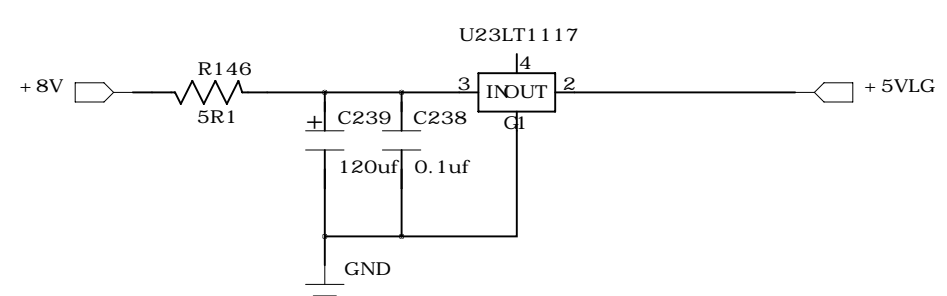
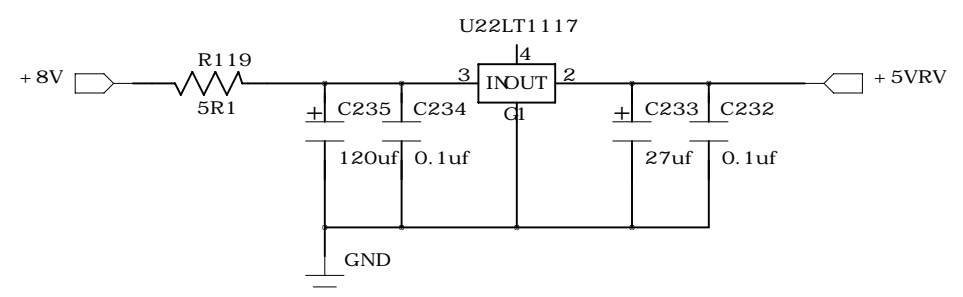
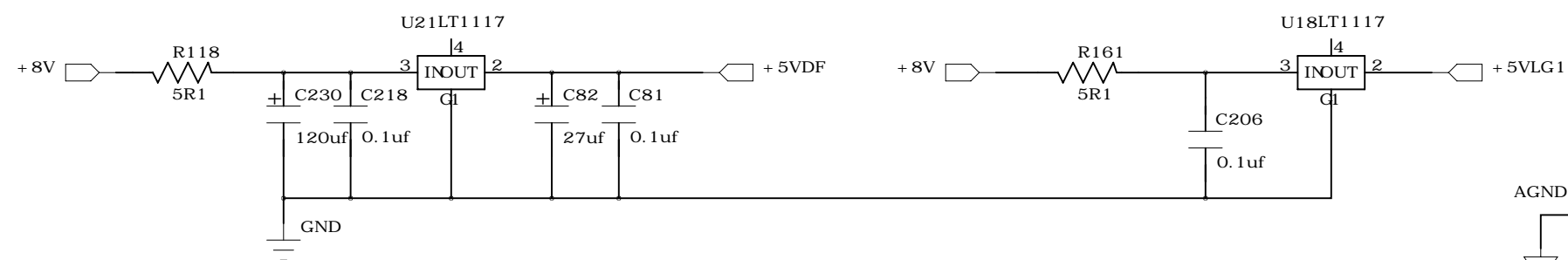
4

3

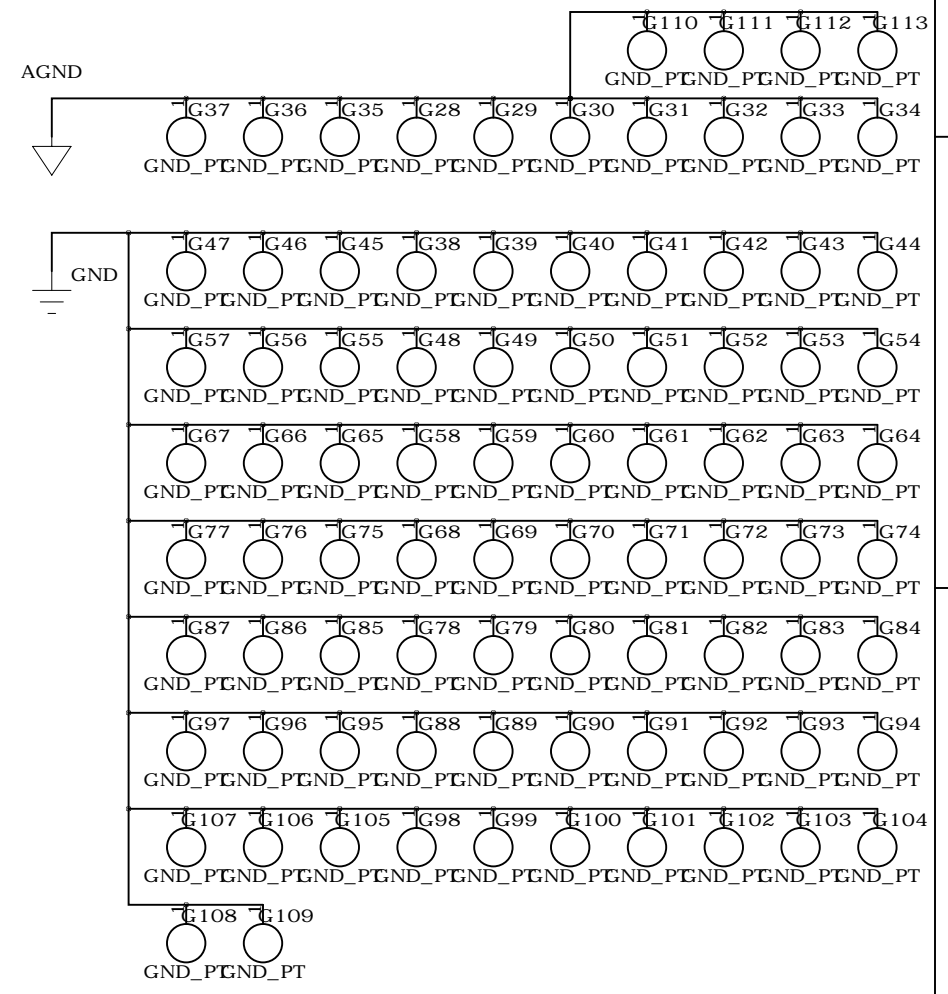
2

1

REVISION RECORD			
LTR	ECO NO:	APPROVED:	DATE:



Analogy Ground and Digital Ground Via holes



COMPANY:			
TITLE: <b>Digital Supply and pre-regulator</b>			
CODE:	SIZE:	DRAWING NO:	REV:
SCALE:		SHEET: OF 9	

DRAWN:	DATED:
CHECKED:	DATED:
QUALITY CONTROL:	DATED:
RELEASED:	DATED:

D

D

C

C

B

B

A

A

6

5

4

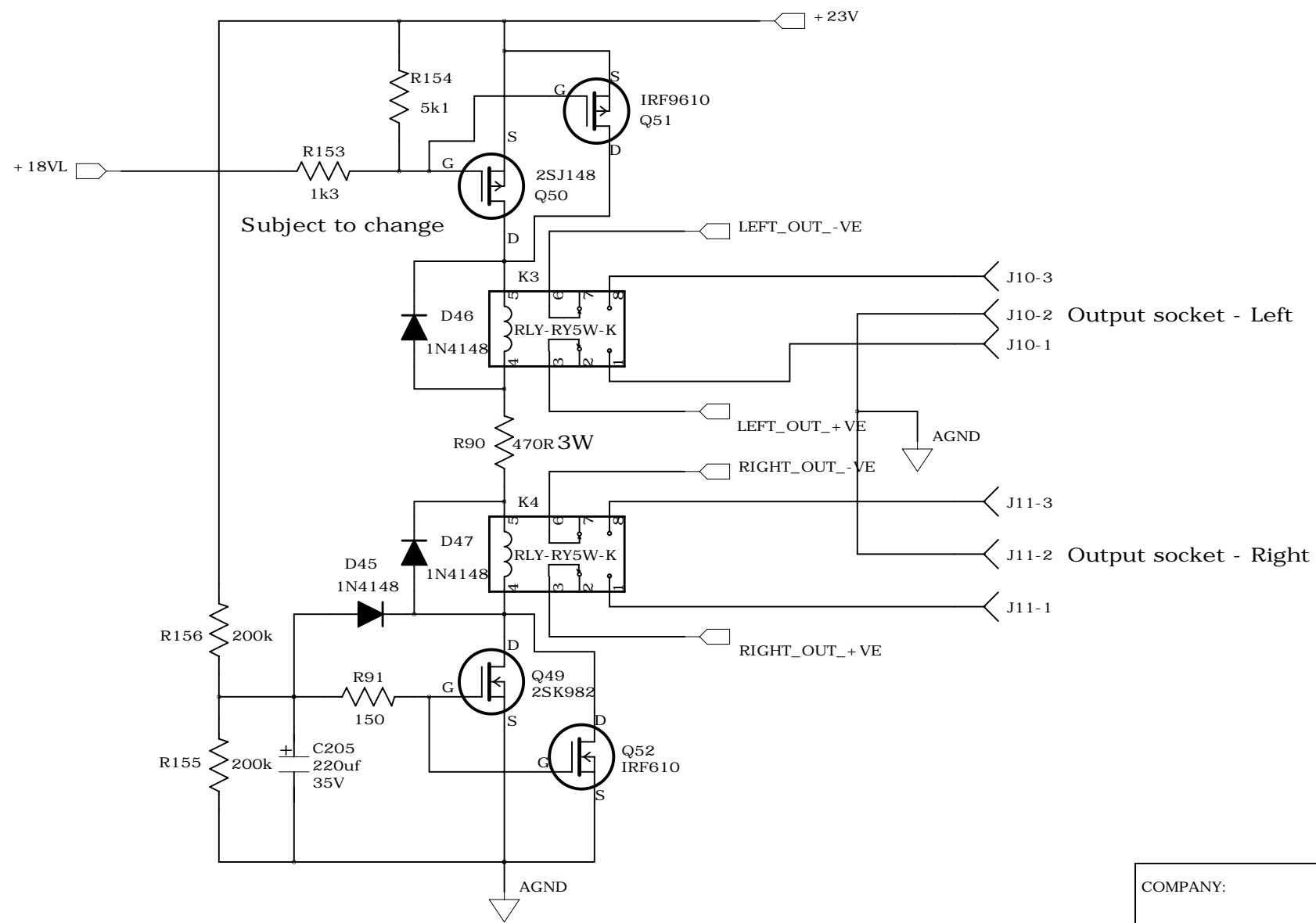
3

2

1

REVISION RECORD			
LTR	ECO NO:	APPROVED:	DATE:

Note: Use either K983/J148 OR IRF610/IRF9610



Subject to change

COMPANY:

TITLE:  
Output Delay and Mute

DRAWN:	DATED:
CHECKED:	DATED:
QUALITY CONTROL:	DATED:
RELEASED:	DATED:

CODE:	SIZE:	DRAWING NO:	REV:
SCALE:			SHEET: OF 10

D

C

B

A

D

C

B

A