

6

5

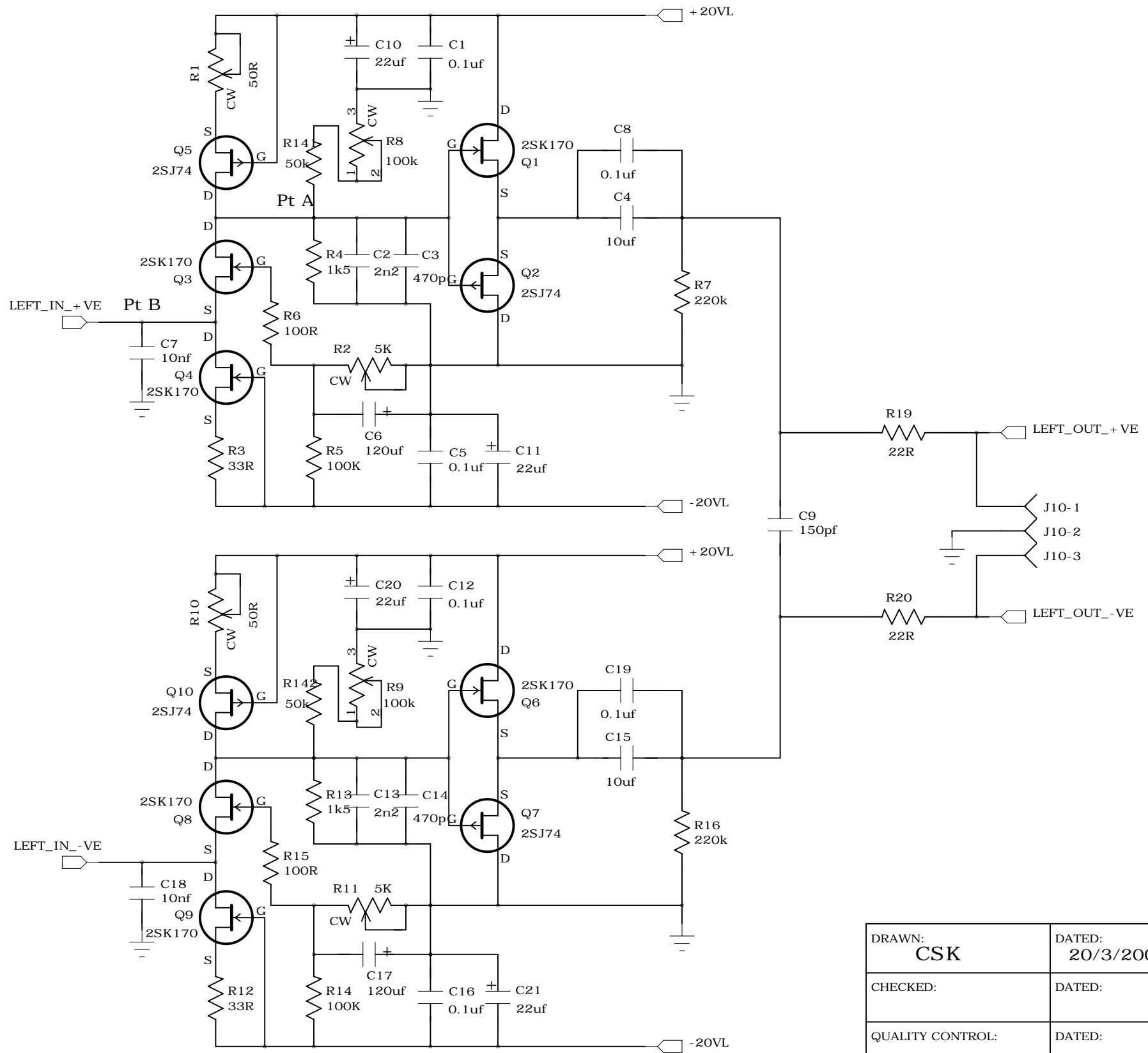
4

3

2

1

REVISION RECORD			
LTR	ECO NO:	APPROVED:	DATE:



- Notes:
- Q1, Q2, Q6, & Q7 use Idss 7-9 mA, BL grade
 - Q3 & Q8 use Idss > 10mA or V grade, or 2SK389V
 - Q5 & Q10 use Idss > 15mA, V grade; or parallel 2 BL grade
 - Q4 & Q9 use Idss 6-7 mA, BL grade
 - Matched all Idss for best performance!
 - R8 & R9 to trim the Jfet IV output to same level
 - Use 2700pf to replace C2 & C3 and C13 & C14
 - R1 and R10 can use 50 to 100 ohm 20T pot
 - R1 to adjust Pt A to 10Vdc
 - R2 to adjust Pt B to 0Vdc

DRAWN: CSK	DATED: 20/3/2007
CHECKED:	DATED:
QUALITY CONTROL:	DATED:
RELEASED:	DATED:

COMPANY: DIY FUN			
TITLE: Jfet IV Left Channel			
CODE:	SIZE: B	DRAWING NO:	REV: 1
SCALE: Total 8 pages		SHEET: OF 1	

6

5

4

3

2

1

REVISION RECORD			
LTR	ECO NO:	APPROVED:	DATE:

D

D

C

C

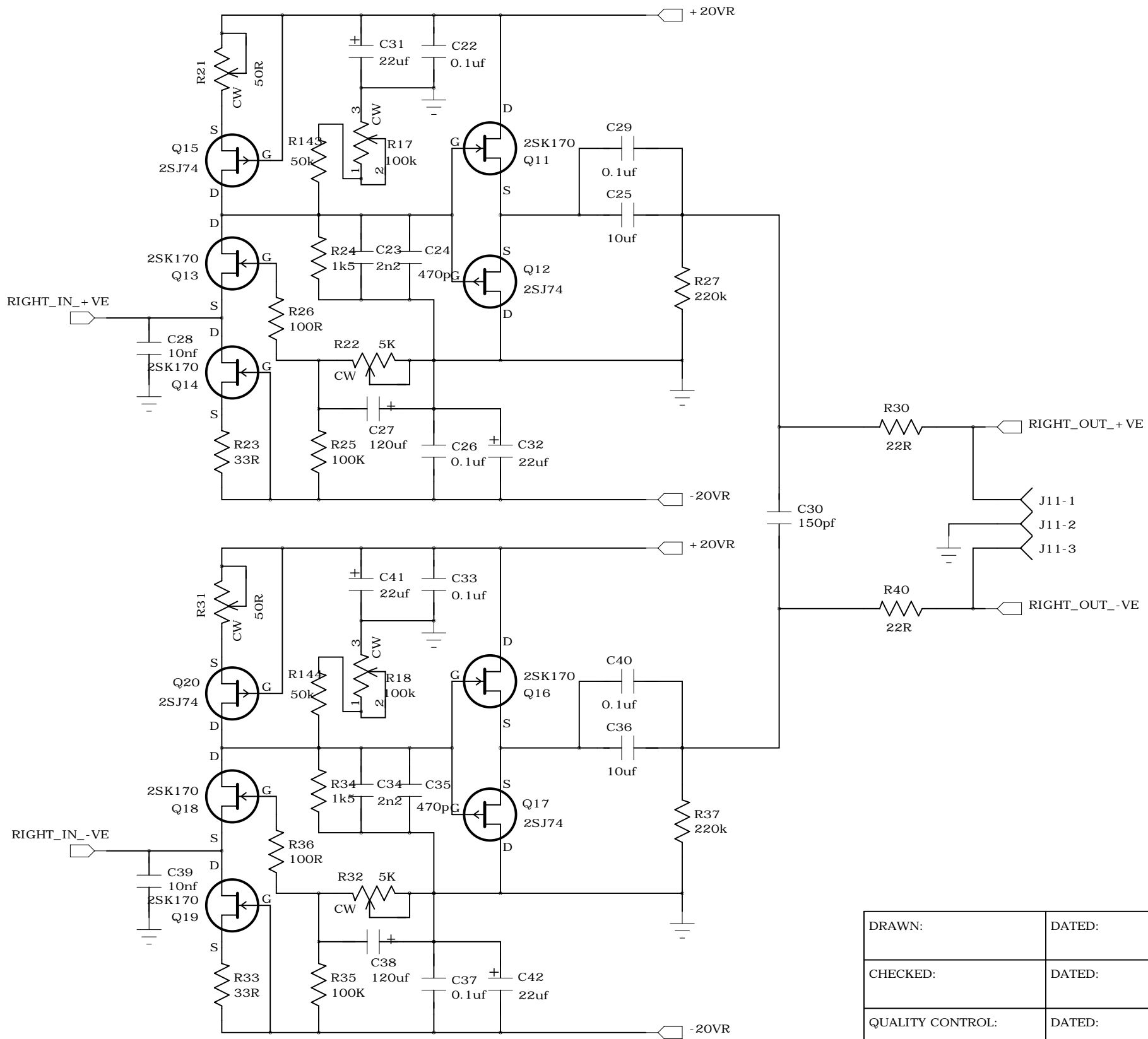
B

B

A

A

Same notes as in Left Channel Jfet IV



COMPANY:			
TITLE: Jfet IV Right Channel			
CODE:	SIZE: B	DRAWING NO:	REV: A
SCALE:		SHEET: OF 2	

DRAWN:	DATED:
CHECKED:	DATED:
QUALITY CONTROL:	DATED:
RELEASED:	DATED:

6

5

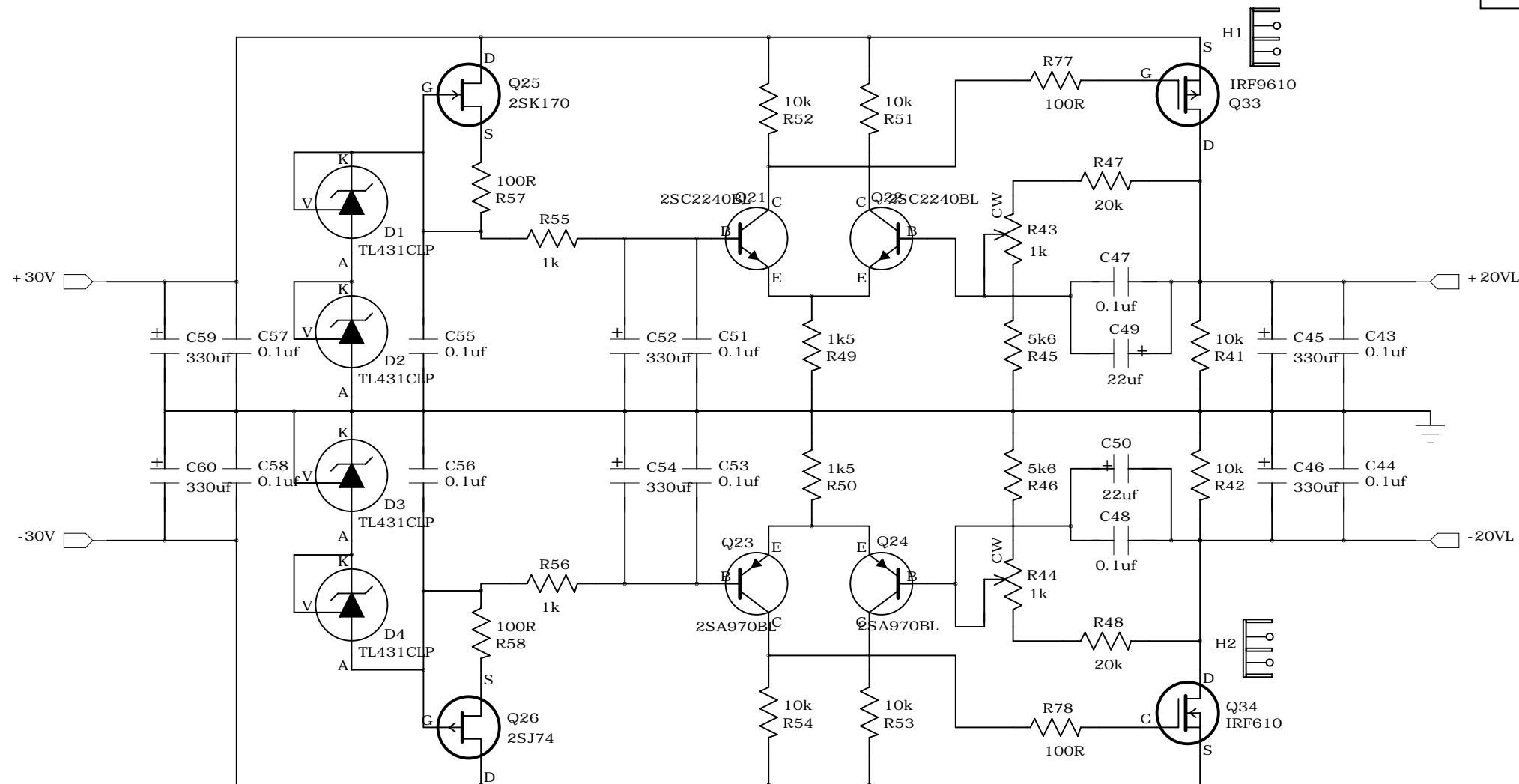
4

3

2

1

REVISION RECORD			
LTR	ECO NO:	APPROVED:	DATE:



Notes:

Q25 & Q26 use Idss 6-7 mA

D1 & D2 and D3 & D4 is 5V voltage reference, or LM336-5V one pc

Q21 & Q22 hfe > 350, or use BC550C

Q23 & Q24 hfe > 350, or use BC557C

Q33 and Q34 add small heat sink

Q25, Q26 and its source resistor can be replaced by 2mA current diode J508

R43 & R44 to adjust regulator output volt to +/-20Vdc

COMPANY:

TITLE:

REGULATOR LEFT JFET IV

DRAWN:	DATED:
CHECKED:	DATED:
QUALITY CONTROL:	DATED:
RELEASED:	DATED:

CODE:	SIZE:	DRAWING NO:	REV:
SCALE:		SHEET: OF 3	

6

5

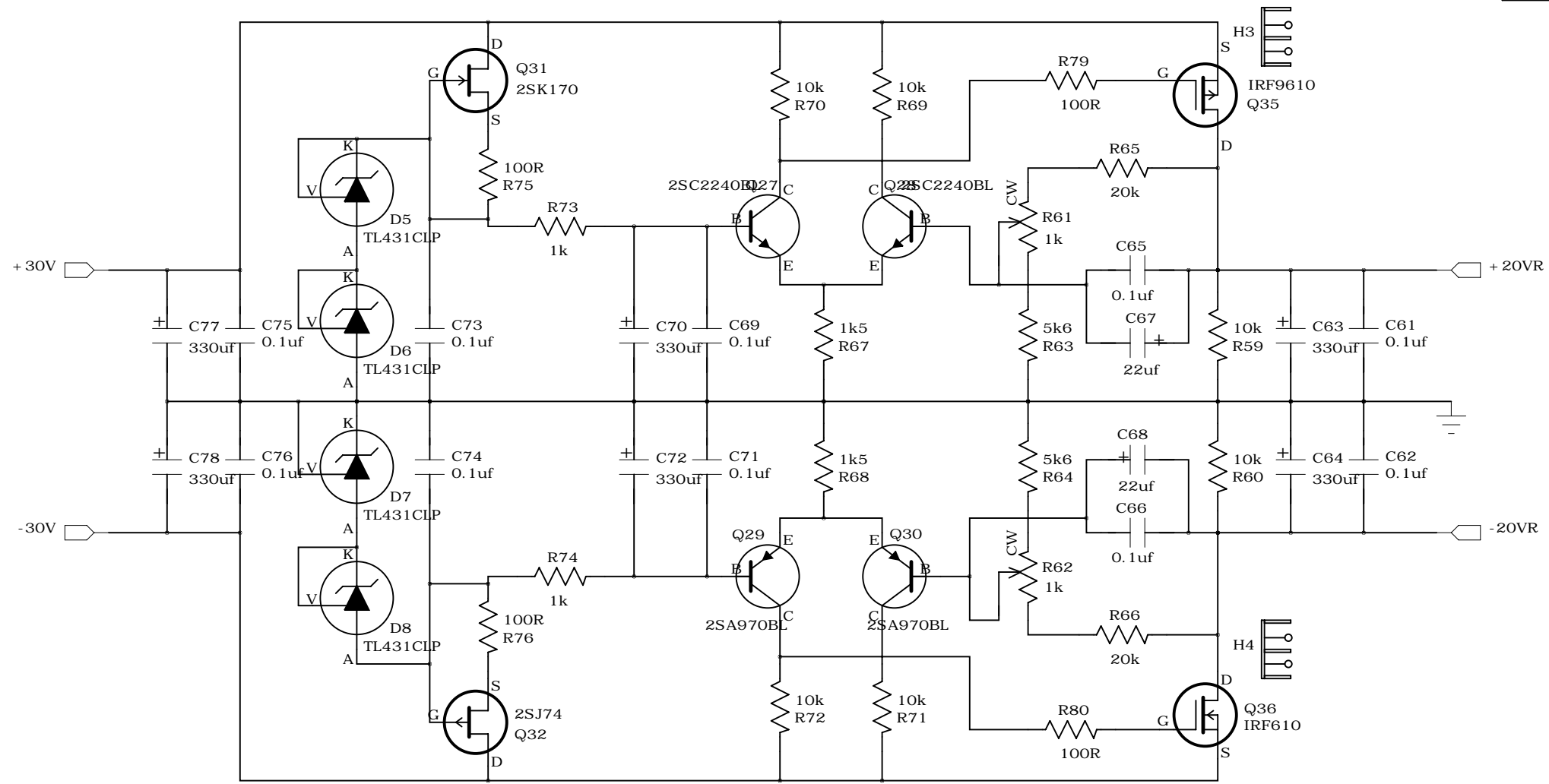
4

3

2

1

REVISION RECORD			
LTR	ECO NO:	APPROVED:	DATE:



Same notes as in Left Channel Regulator

COMPANY:

TITLE:

REGULATOR RIGHT JFET IV

DRAWN:	DATED:
CHECKED:	DATED:
QUALITY CONTROL:	DATED:
RELEASED:	DATED:

CODE:	SIZE:	DRAWING NO:	REV:
-------	-------	-------------	------

SCALE: SHEET: OF 4