

6

5

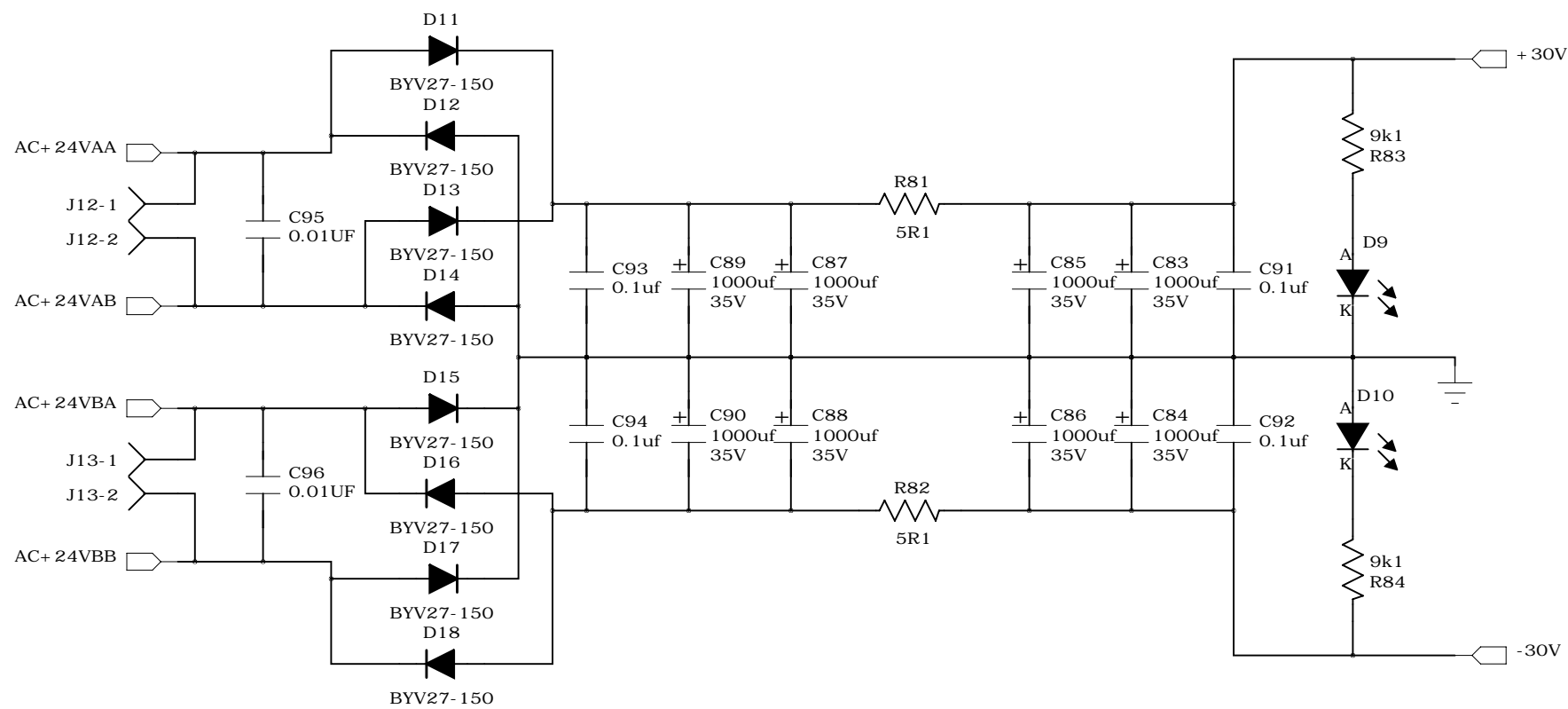
4

3

2

1

REVISION RECORD			
LTR	ECO NO:	APPROVED:	DATE:



Notes:

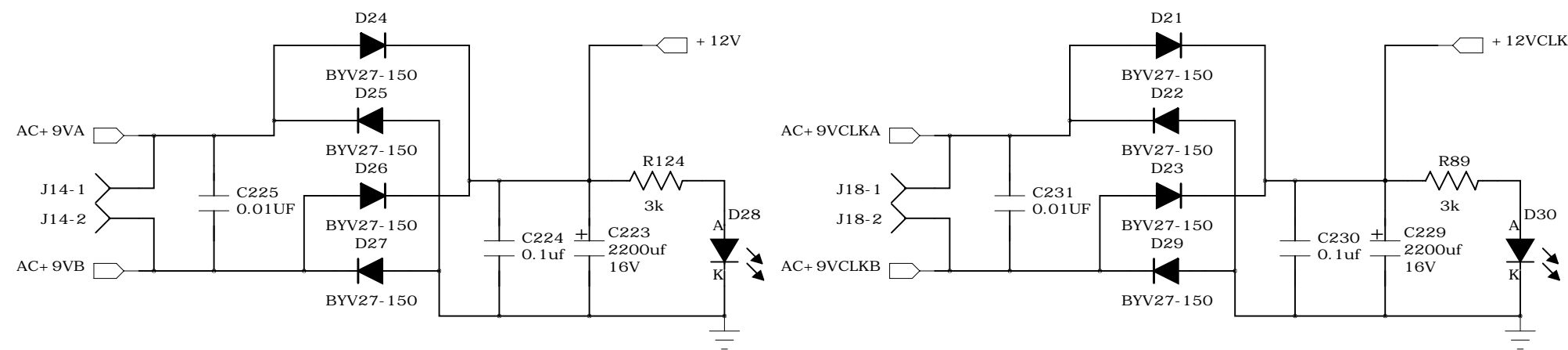
LEDs all use Green Color;; 2.5mm pitch

All E-cap use Panasoinc FC, 35V 2.5mm & 5mm pitch

All 0.1uf film cap use Epcos MKP 63V, 5mm pitch

All resistors use metal film 1%, 1/4W; 12.5mm pitch

All inductors use > 100mA type; 12.5mm pitch



COMPANY:

TITLE:

POWER SUPPLY

DRAWN:	DATED:
CHECKED:	DATED:
QUALITY CONTROL:	DATED:
RELEASED:	DATED:

CODE:	SIZE:	DRAWING NO:	REV:
SCALE:			SHEET: OF 5

6

5

4

3

2

1

REVISION RECORD			
LTR	ECO NO:	APPROVED:	DATE:

D

D

C

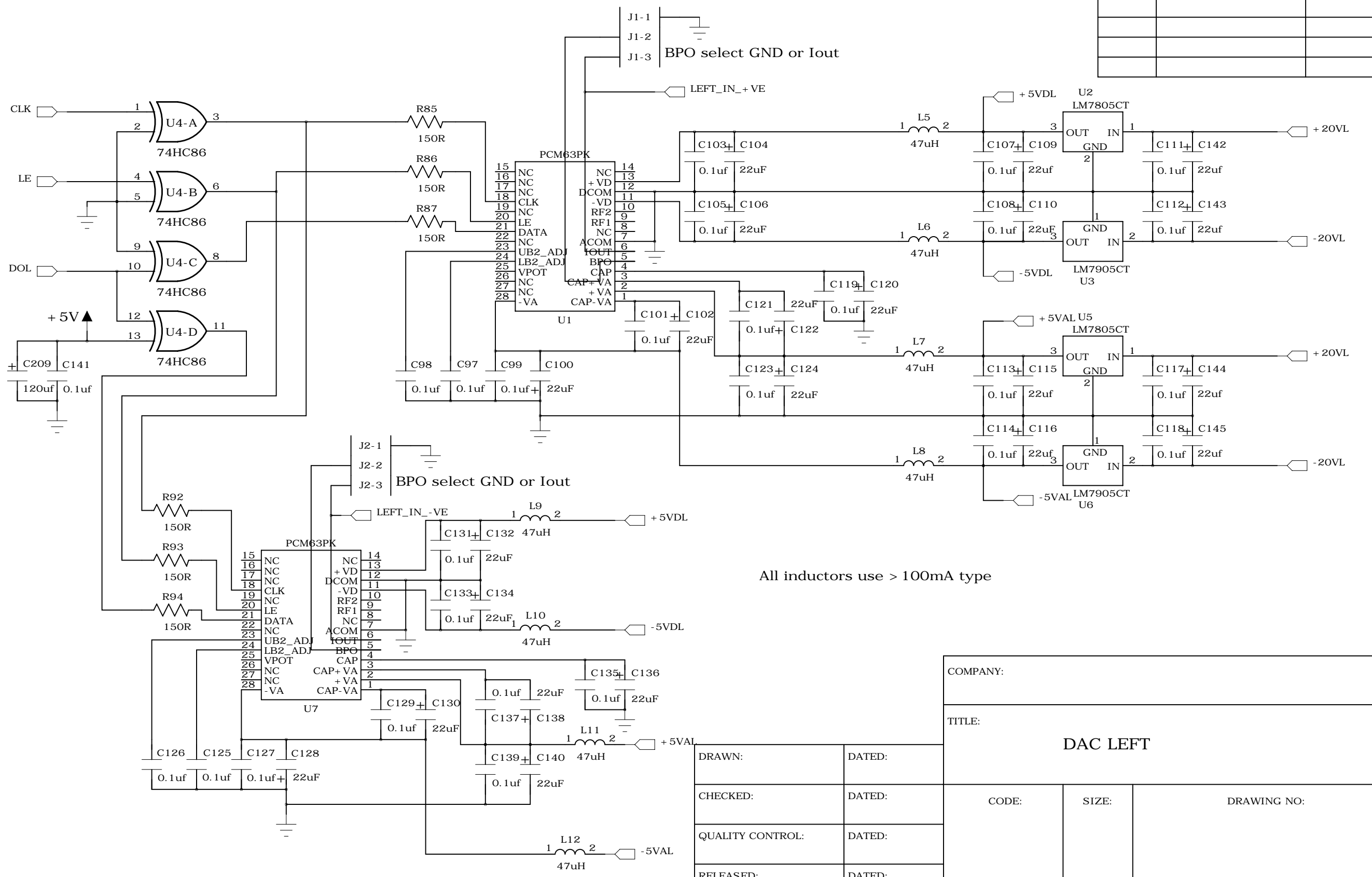
C

B

B

A

A



All inductors use > 100mA type

COMPANY:			
TITLE: DAC LEFT			
DRAWN:	DATED:	CODE:	SIZE:
CHECKED:	DATED:	DRAWING NO:	
QUALITY CONTROL:	DATED:	REV:	
RELEASED:	DATED:	SCALE:	SHEET: OF 6

6

5

4

3

2

1

REVISION RECORD			
LTR	ECO NO:	APPROVED:	DATE:

D

D

C

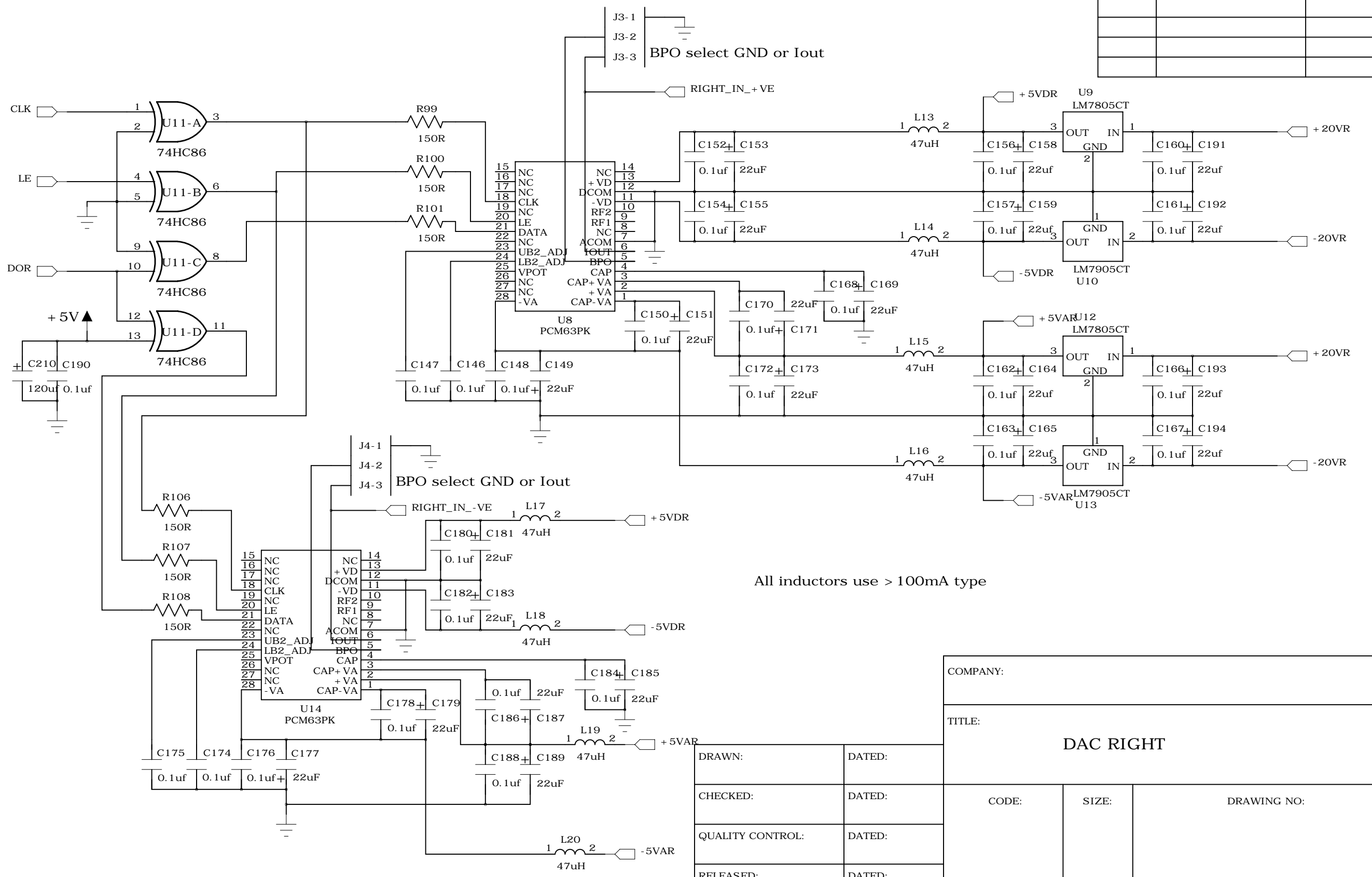
C

B

B

A

A

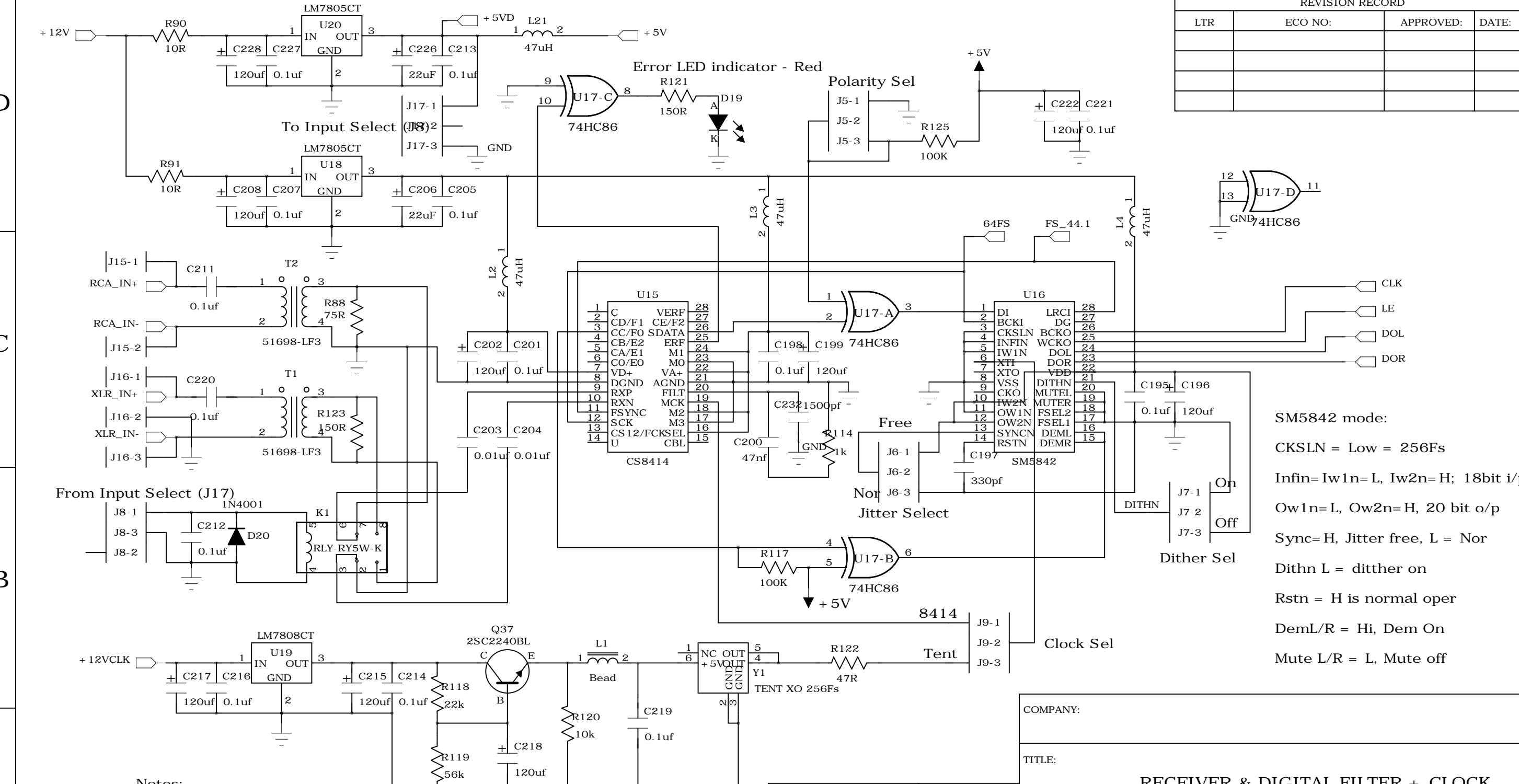


All inductors use > 100mA type

COMPANY:			
TITLE: DAC RIGHT			
DRAWN:	DATED:	CODE:	REV:
CHECKED:	DATED:	SIZE:	DRAWING NO:
QUALITY CONTROL:	DATED:	SHEET: OF 7	
RELEASED:	DATED:	SCALE:	

6 5 4 3 2 1

REVISION RECORD			
LTR	ECO NO:	APPROVED:	DATE:



SM5842 mode:
 CKSLN = Low = 256Fs
 Infin=Iw1n=L, Iw2n=H; 18bit i/p
 Ow1n=L, Ow2n=H, 20 bit o/p
 Sync=H, Jitter free, L = Nor
 Dithn L = dither on
 Rstn = H is normal oper
 DemL/R = Hi, Dem On
 Mute L/R = L, Mute off

Notes:
 T1 & T2 is Midcom 51698-LF3
 K1 is 5V small relay Takamisawa RY5W-K
 8414 Mode 6, Out L/R 18 bit, LSBJ

COMPANY:			
TITLE: RECEIVER & DIGITAL FILTER + CLOCK			
DRAWN:	DATED:	CODE:	SIZE:
CHECKED:	DATED:	DRAWING NO:	
QUALITY CONTROL:	DATED:	REV:	
RELEASED:	DATED:	SCALE:	
SHEET: OF			8

D

D

C

C

B

B

A

A