

PCM63: REFERENCE AND SERVO AMP

FIG. 8 REFERENCE AND SERVO AMPLIFIER

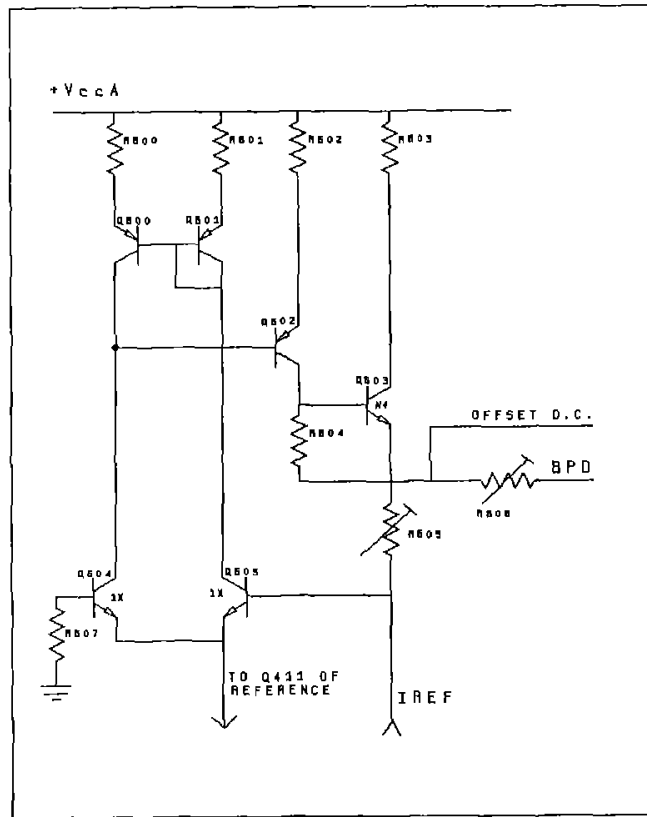


FIG. 9 REFERENCE AMPLIFIER

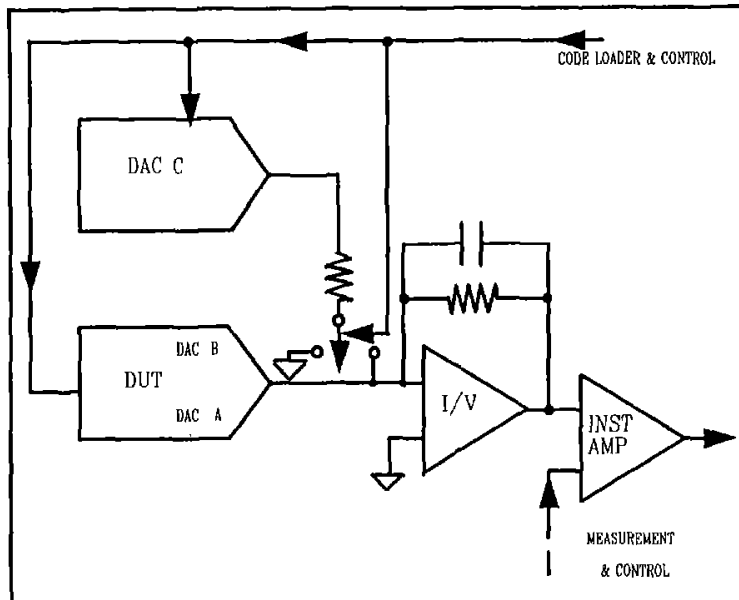


FIG. 10 TRIM SETUP

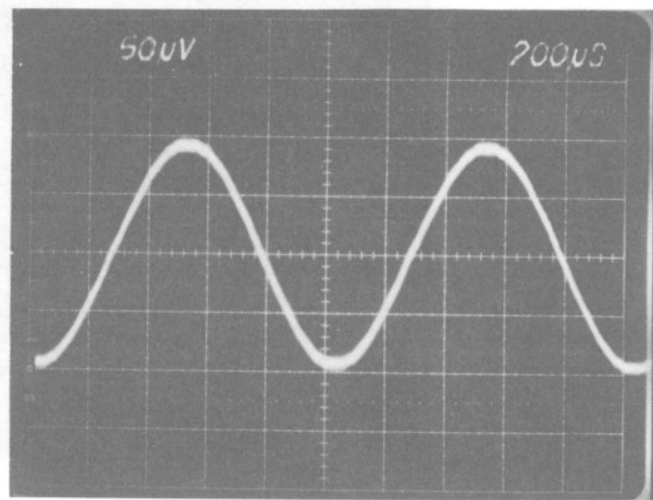


FIG. 11 -90DB SIGNAL (10HZ-20KHZ BW)

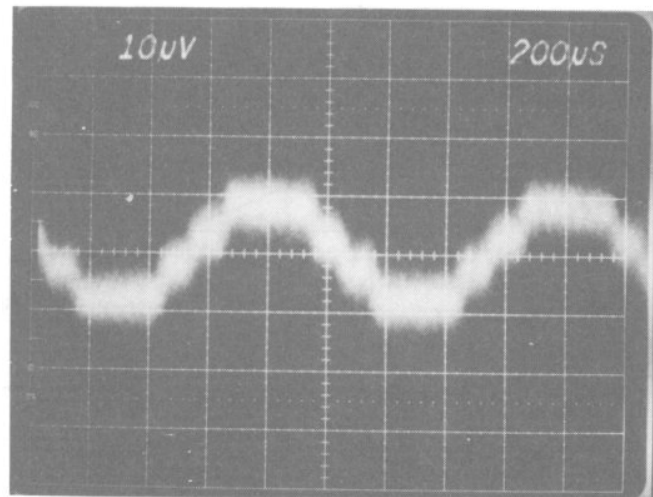


FIG. 12 -110DB SIGNAL (10HZ-20KHZ BW)

REF (70 DBV) ->

10DB/DIV

100HZ BW

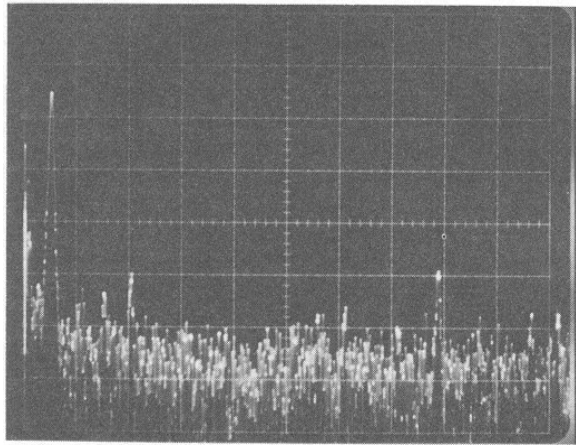


FIG. 13 -90DB SIGNAL SPECTRUM (2KHZ/DIV)

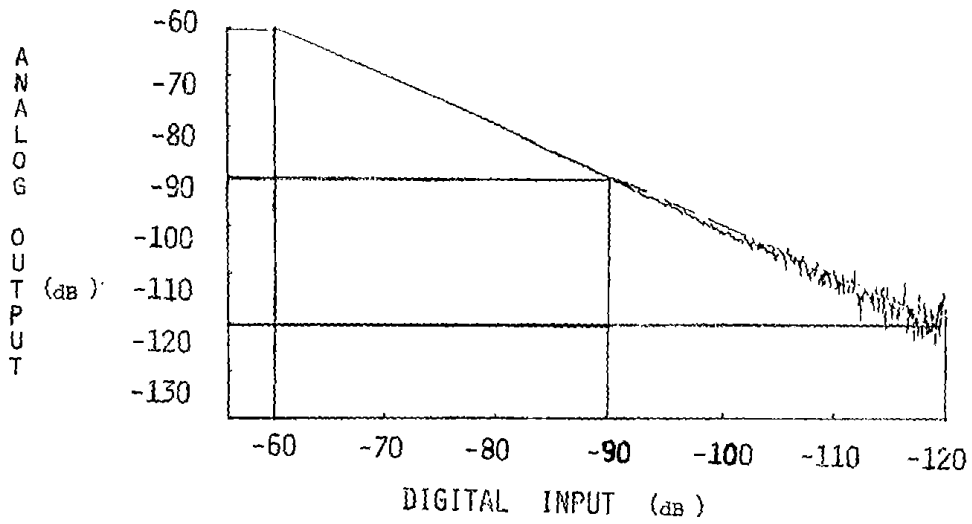


FIG. 14 COLINEAR DAC FADE TO NOISE

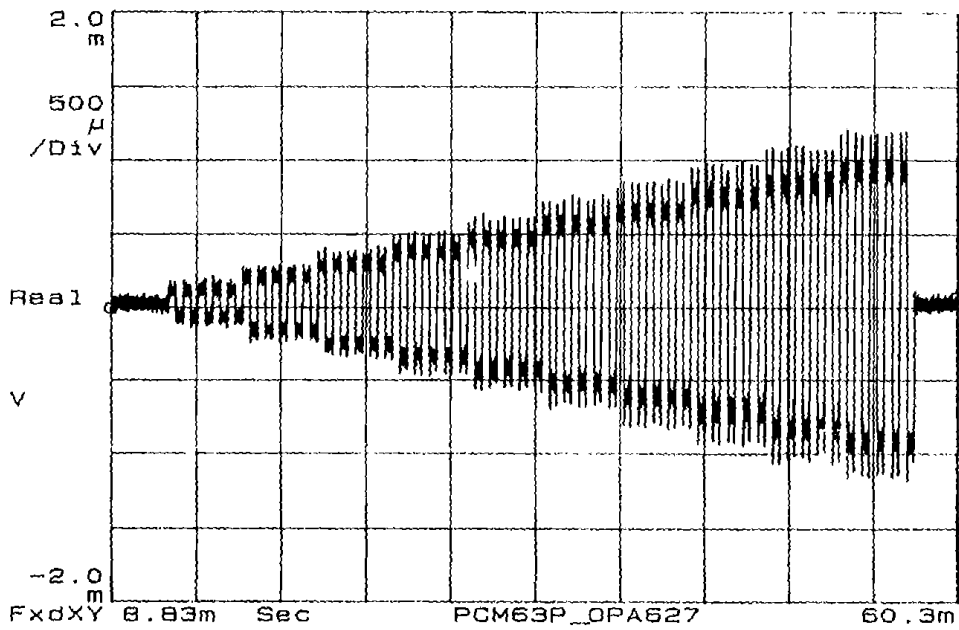


FIG. 15 COLINEAR DAC 16 BIT MONOTONICITY

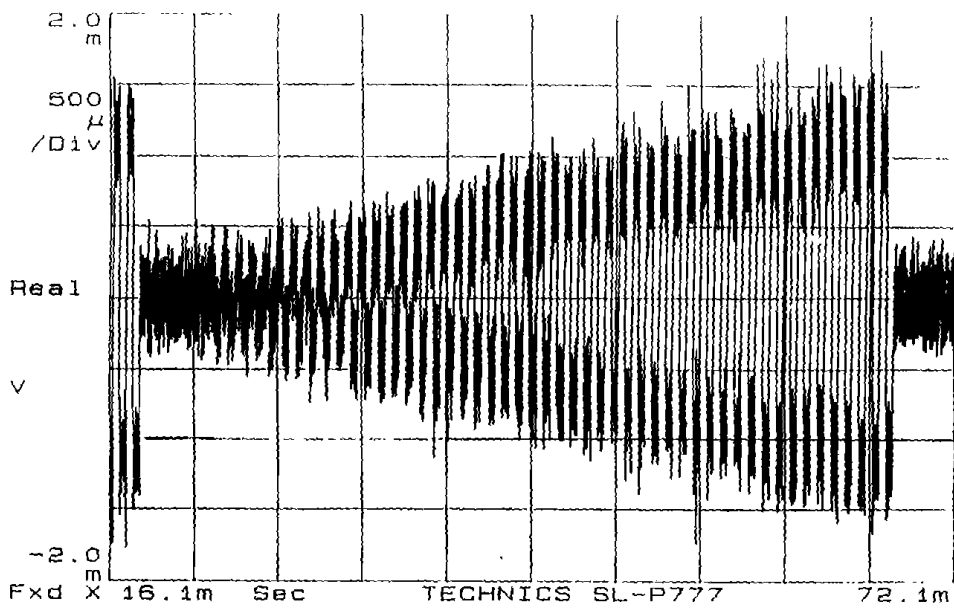


FIG.16 MASH DAC 16 BIT MONOTONICITY

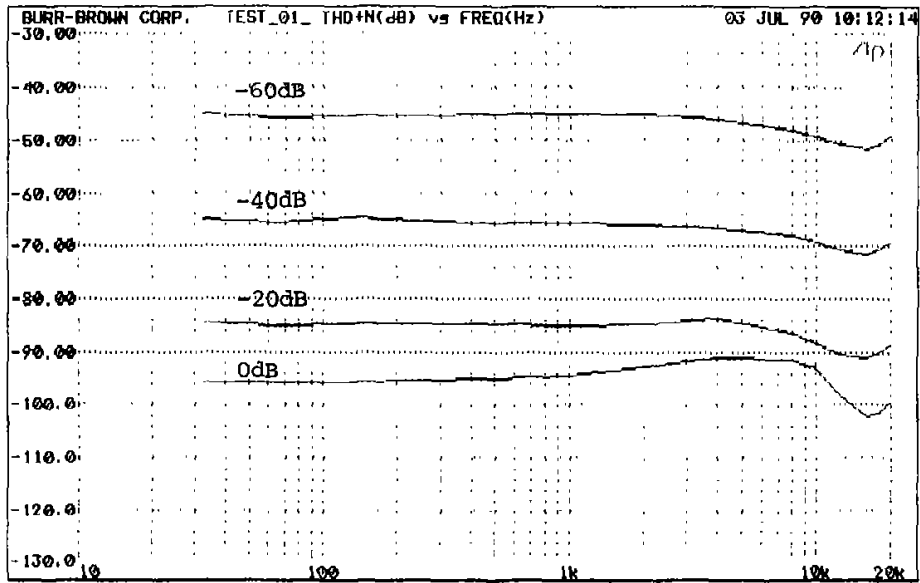


FIG. 17 COLINEAR DAC THD+N VS FREQUENCY

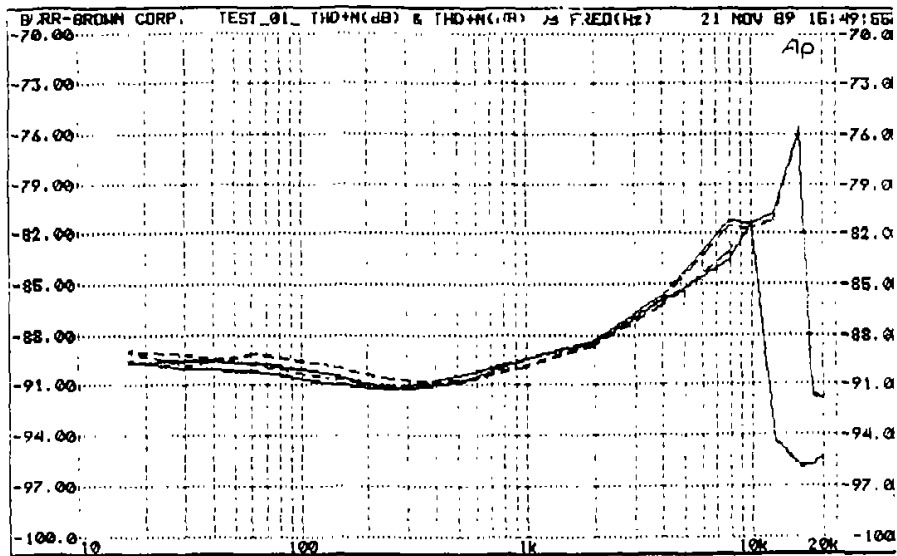


FIG. 18 MASH DAC THD+N VS FREQUENCY

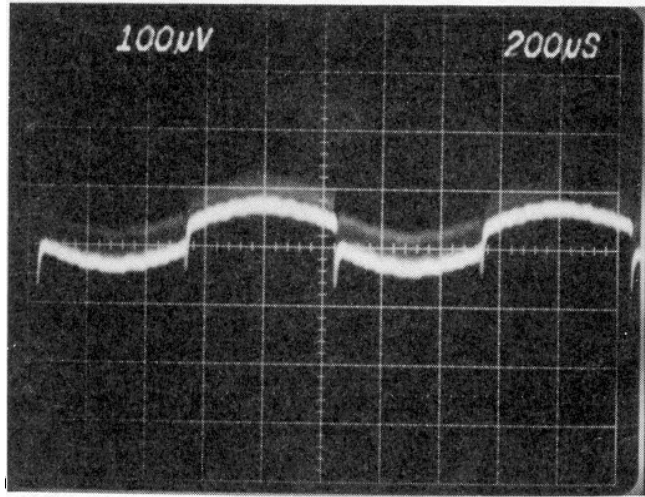


FIG. 19 GLITCH AT UPPER BIT 2

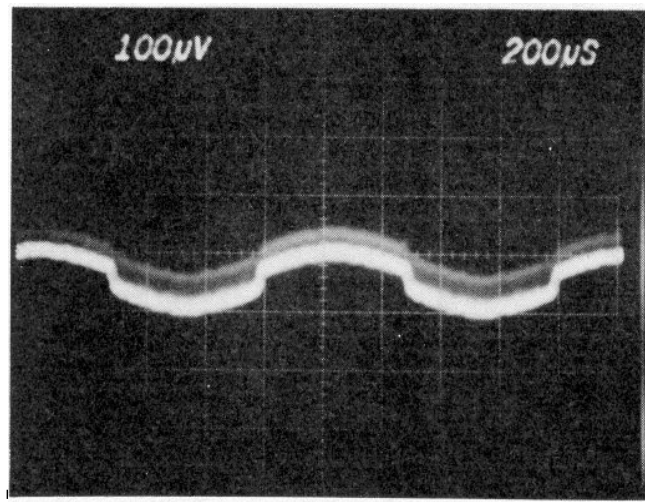


FIG. 20 GLITCH AT LOWER BIT 2

PCM63 DRIFT

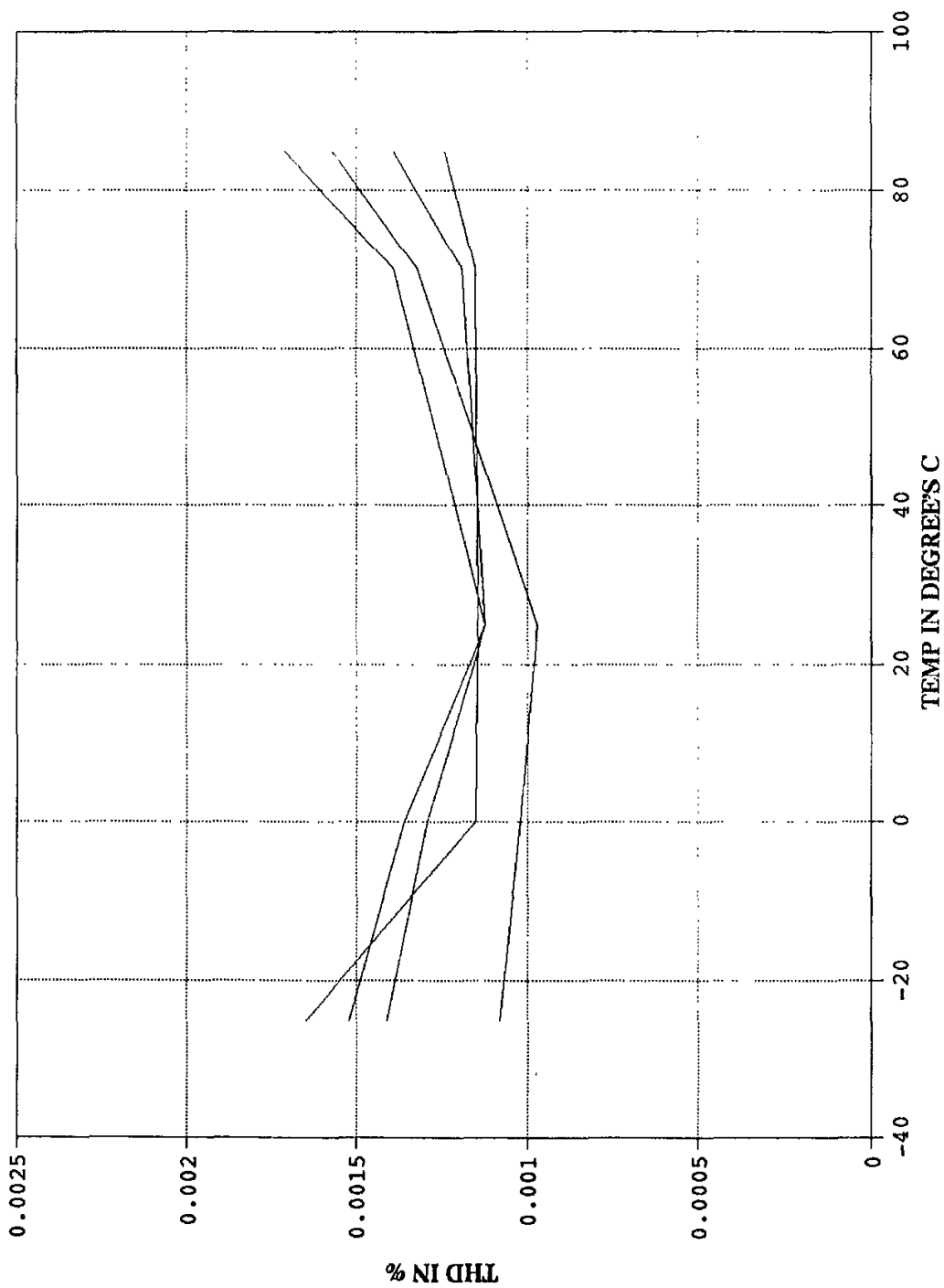


FIG. 21 COLINEAR DAC THD+N VS TEMPERATURE