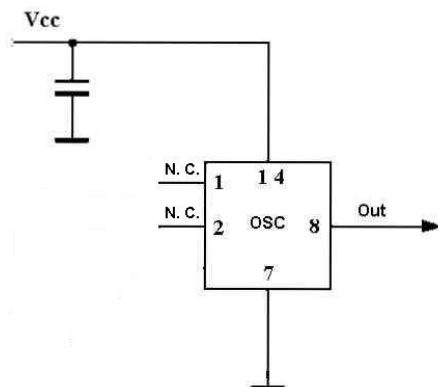


RoHS Compliant, DIP14 package.							
Temporary Code : ULN_OCXO-98.304000							Rev. Preliminary 0.1
#	Parameter	Symbol	Condition	Value			Unit
				Min.	Typ.	Max.	
1.1	Nominal Frequency	f_0		98.304000			MHz
1.2	Initial tolerance	$(f - f_0)/f_0$	at +25°C, $V_c=V_{c0}$	-0.2		0.2	ppm
RF output							
2.1	Wave form			HCMOS			
2.2	High - Voltage	V_H		2.4			V
2.3	Low - Voltage	V_L				0.4	V
	Load	R_L C_L		10		5	kOhm pF
2.4	Duty Cycle			45	50	55	%
2.5	Sub-harmonics			none			
Power supply							
3.1	Voltage	V_{cc}		3.15	3.3	3.45	V
3.2	Warm-up current		$V_{cc}=3.3V$	120		190	mA
3.3	Continuous current		at +25°C, $V_{cc}=3.3V$			50	mA
3.4	Warm-up time	t_{up}	to $\Delta f/f=1e-7$ at +25°C ref to 1hr frequency			120	sec.
Frequency stability							
4.1	vs. temperature		ref 25°C			±10	ppm
4.2	vs. supply voltage		ref V_{cc} typ.			±50	ppb
5.1	SSB Phase noise		1 Hz		-70	-65	dBc/Hz
			10 Hz		-105	-100	
			100 Hz		-135	-130	
			1 kHz		-160	-155	
			10 kHz		-168	-166	
			100 kHz		-171	-170	
6.1	Bandwidth Jitter	J_{BW}	12kHz - 20MHz		20	25	fs
7.1	Aging per day		after 30 days of operation			±5	ppb
		per year					±0.5
Maximum ratings, environmental, mechanical conditions.							
Power voltage		-0.5 to 4.0 V					
Operating temperature range		0°C to +50°C					
Storage temperature range		-60°C to +90°C					
Humidity		Non-condensing 95%					
Soldering Conditions		260°C 10s					

Schematic connections



Physical dimensions

