

6

5

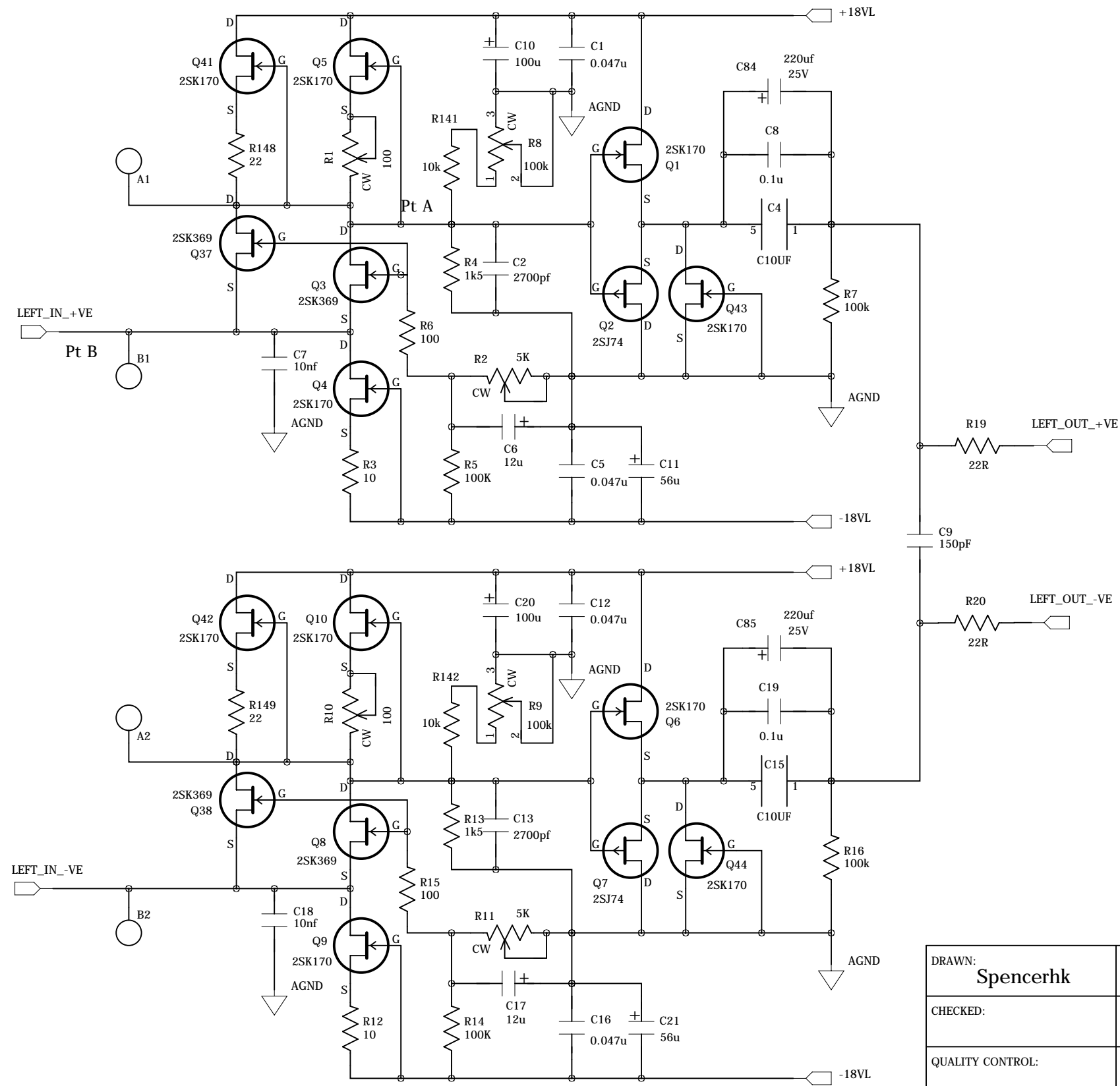
4

3

2

1

REVISION RECORD			
LTR	ECO NO:	APPROVED:	DATE:



Notes:

- Use either Q1/Q2 or Q1/Q43, do not use both!
- Use either Q6/Q7 or Q6/Q44, do not use both!
- Q1, Q2, Q6, Q7, or Q43, Q44 use Idss 8~10 mA
- Q3/Q37 & Q8/Q38 use Idss >=10mA
- Q5/Q41 & Q10/Q42 use Idss total >=15mA
- Q4 & Q9 use Idss 9mA or above
- R8 & R9 to trim output to same ac level, optional
- R1 & R10 to adjust Pt A to half of +Ve supply voltage 8.5 to 9V
- R2 & R11 to adjust Pt B (input) to 0Vdc +/-5mV
- R4 & R13 1.5k use best sound resistor; C2 & C13 use silver mica
- All capacitors min 35V dc
- C84 and C85 use Muse BP capacitor; use either 10u film or BP cap

COMPANY:				DIY FUN			
TITLE:				Jfet IV Left Channel			
CODE:	SIZE:	DRAWING NO:		REV:			
	B			1			
SCALE:				Total 10 pages		SHEET: OF 1	

DRAWN:	DATED:
Spencerhk	15/4/2009
CHECKED:	DATED:
QUALITY CONTROL:	DATED:
RELEASED:	DATED:

6

5

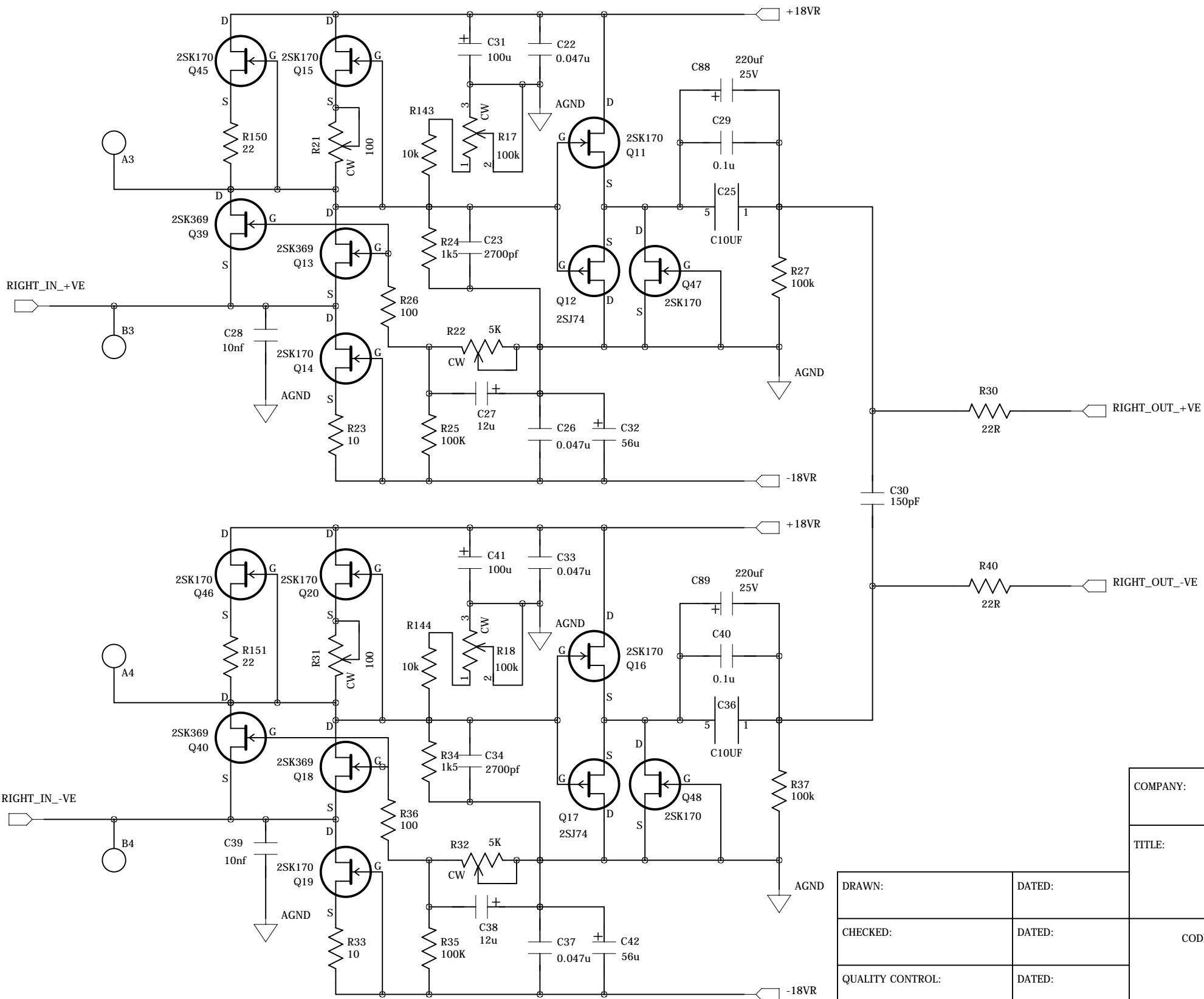
4

3

2

1

REVISION RECORD			
LTR	ECO NO:	APPROVED:	DATE:



Same notes as in Left Channel Jfet IV

COMPANY:			
TITLE: Jfet IV Right Channel			
CODE:	SIZE: B	DRAWING NO:	REV: A
SCALE:		SHEET: OF 2	

DRAWN:	DATED:
CHECKED:	DATED:
QUALITY CONTROL:	DATED:
RELEASED:	DATED:

D

C

B

A

D

C

B

A

6

5

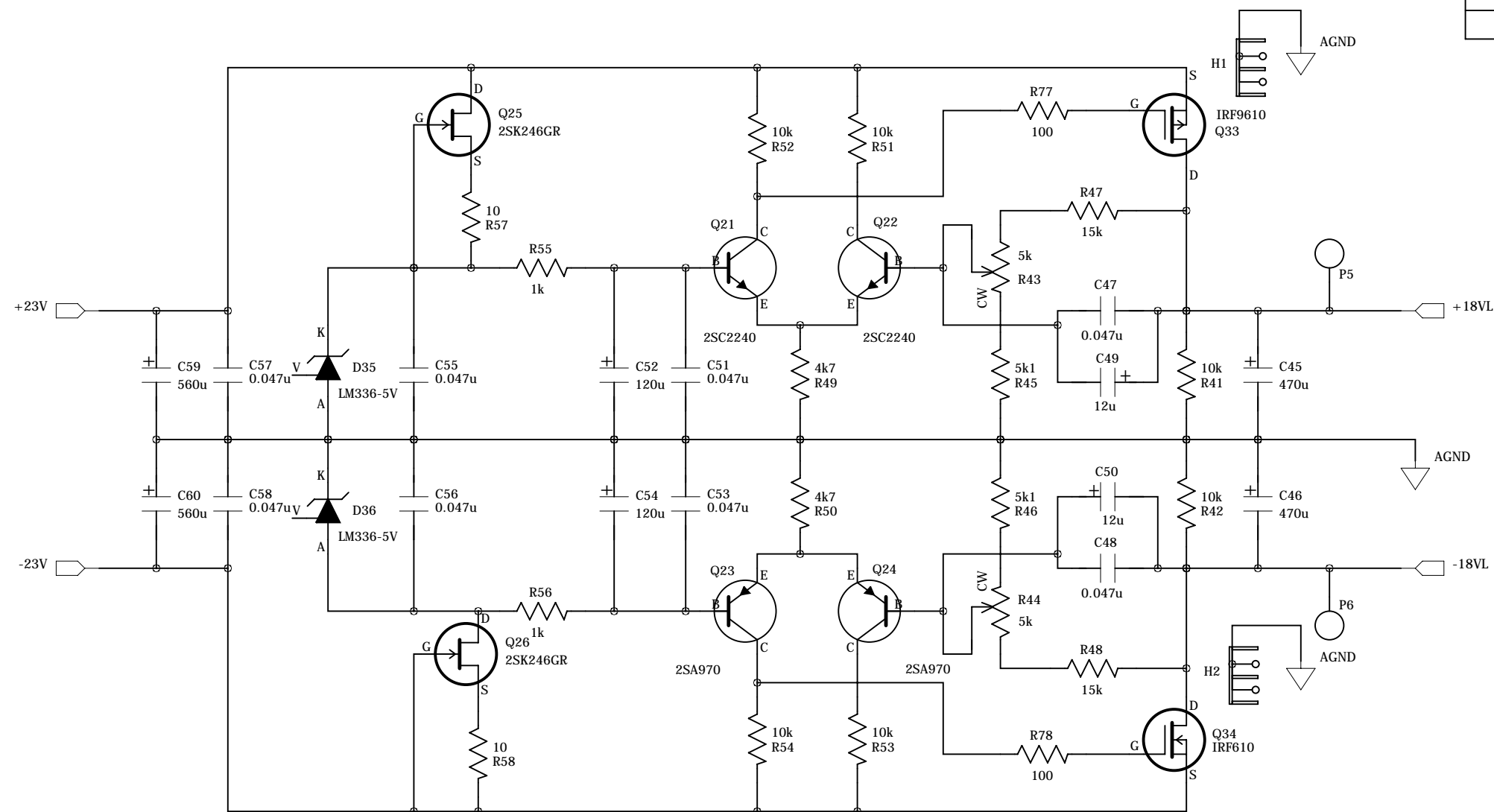
4

3

2

1

REVISION RECORD			
LTR	ECO NO:	APPROVED:	DATE:



Notes:

Q25 & Q26 use Idss about 3mA, GR grade

R43 & R44 to adjust regulator output voltage +/- 18V within 0.1V

R47 & R48: Higher value give higher regulated voltage and vice verse

All capacitors min 35V dc; larger capacitor value is welcome provided size can fit on board

COMPANY:			
TITLE: REGULATOR LEFT JFET IV			
CODE:	SIZE:	DRAWING NO:	REV:
SCALE:			SHEET: OF 3

DRAWN:	DATED:
CHECKED:	DATED:
QUALITY CONTROL:	DATED:
RELEASED:	DATED:

D

C

B

A

D

C

B

A

6

5

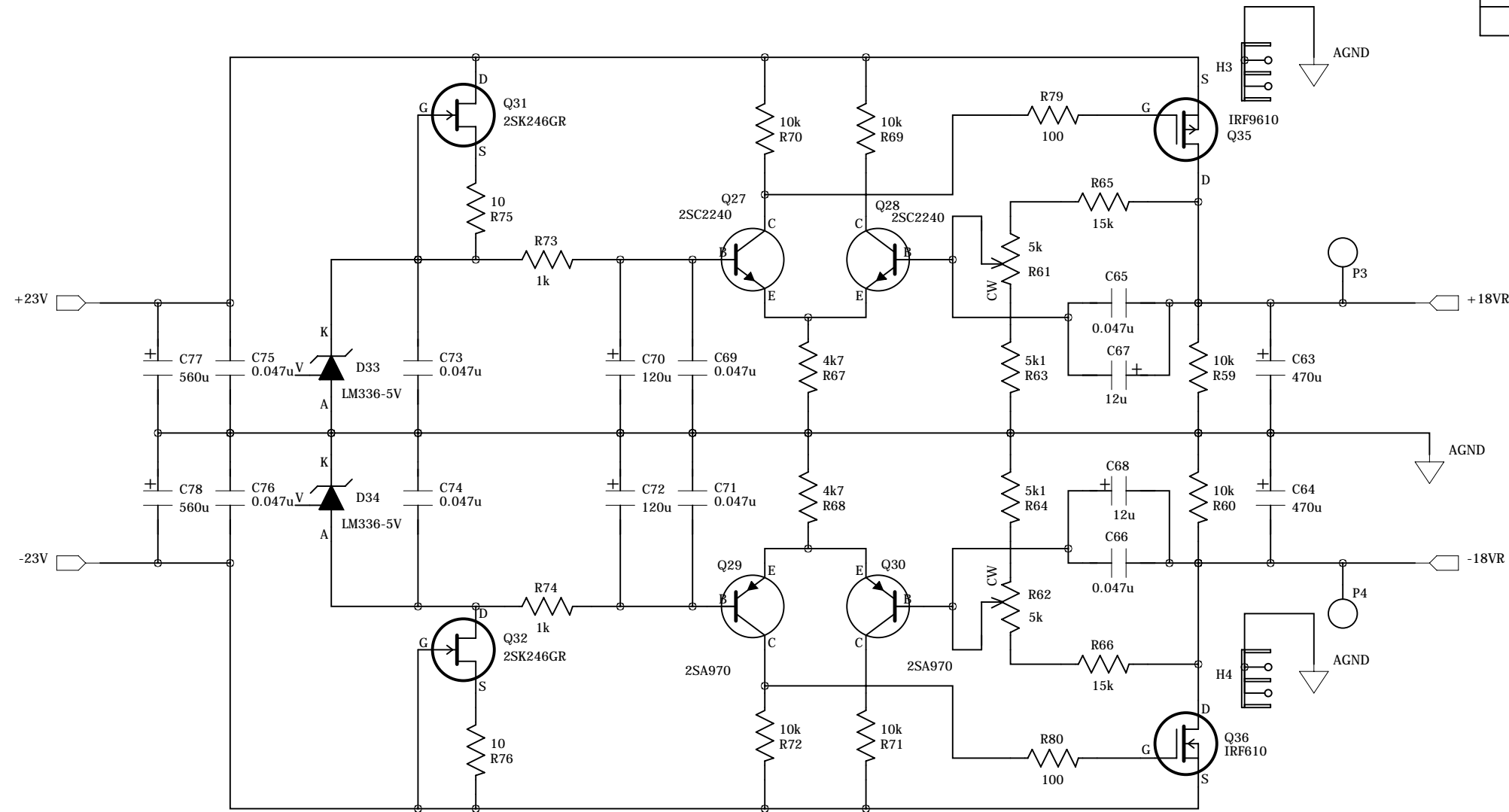
4

3

2

1

REVISION RECORD			
LTR	ECO NO:	APPROVED:	DATE:



Same notes as in Left Channel Regulator

COMPANY:

TITLE:
REGULATOR RIGHT JFET IV

DRAWN:	DATED:
CHECKED:	DATED:
QUALITY CONTROL:	DATED:
RELEASED:	DATED:

CODE:	SIZE:	DRAWING NO:	REV:
SCALE:		SHEET: OF 4	

6

5

4

3

2

1

REVISION RECORD			
LTR	ECO NO:	APPROVED:	DATE:

D

D

C

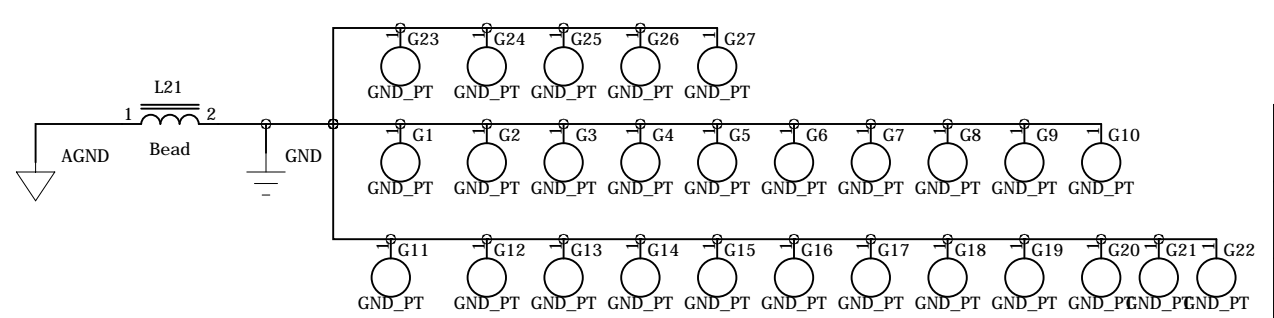
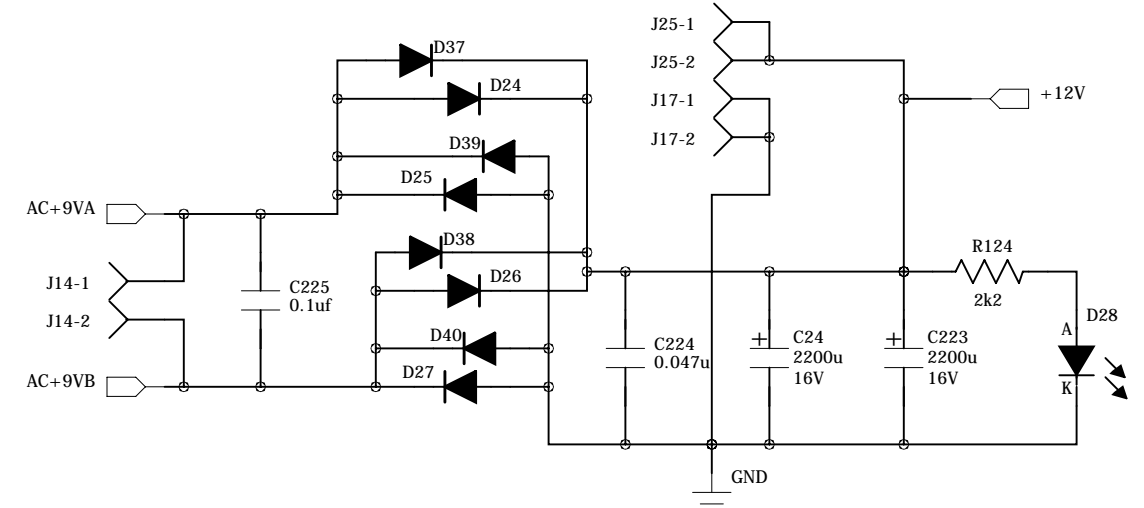
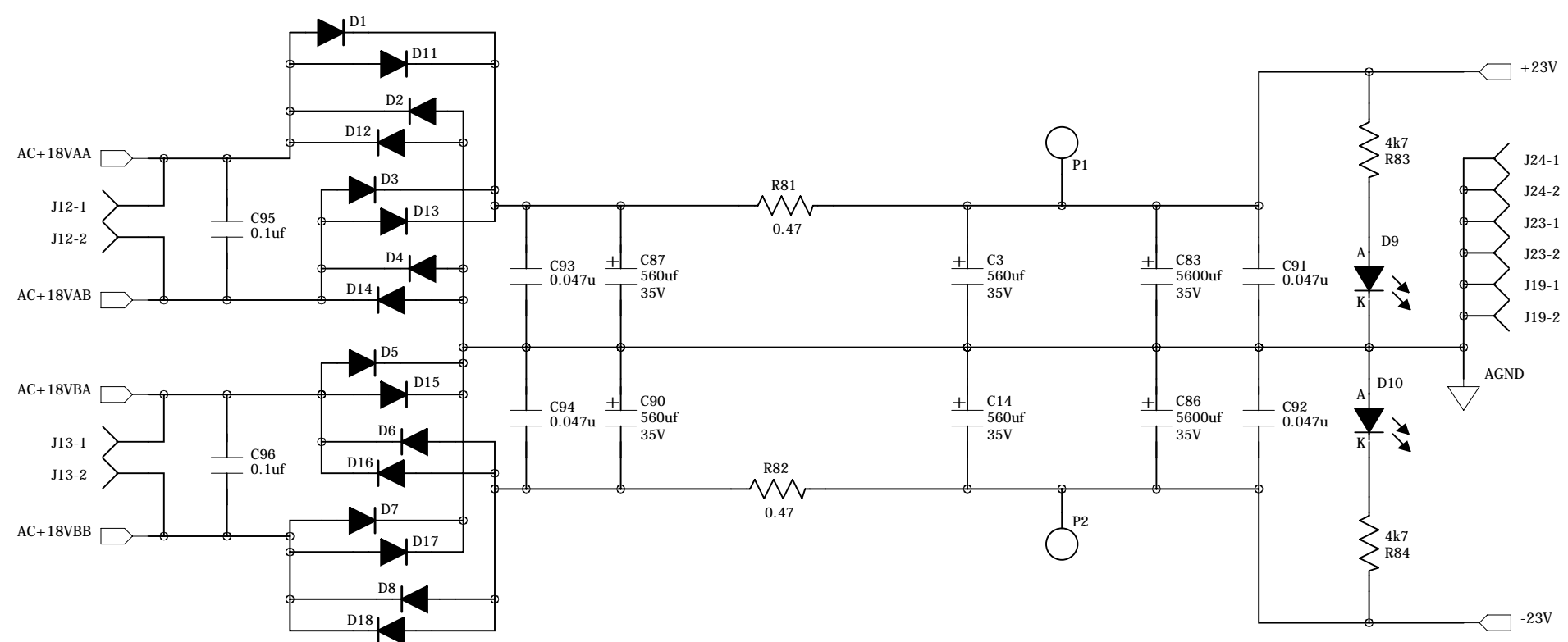
C

B

B

A

A



DRAWN:	DATED:
CHECKED:	DATED:
QUALITY CONTROL:	DATED:
RELEASED:	DATED:

COMPANY:			
TITLE: POWER SUPPLY			
CODE:	SIZE:	DRAWING NO:	REV:
SCALE:			SHEET: OF 8

6

5

4

3

2

1

REVISION RECORD			
LTR	ECO NO:	APPROVED:	DATE:

D

D

C

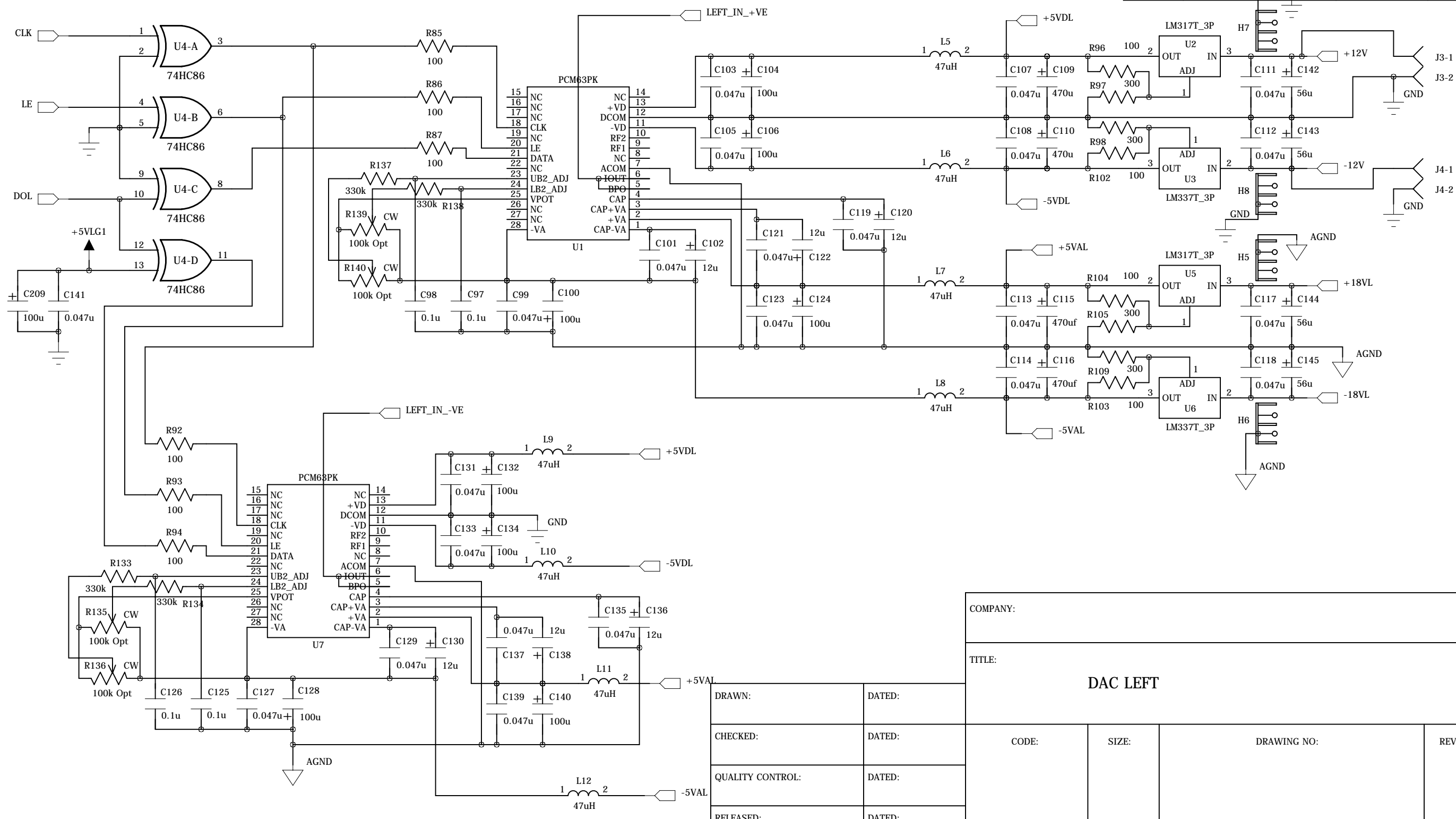
C

B

B

A

A



COMPANY:			
TITLE: DAC LEFT			
CODE:	SIZE:	DRAWING NO:	REV:
SCALE:		SHEET: OF 5	

DRAWN:	DATED:
CHECKED:	DATED:
QUALITY CONTROL:	DATED:
RELEASED:	DATED: