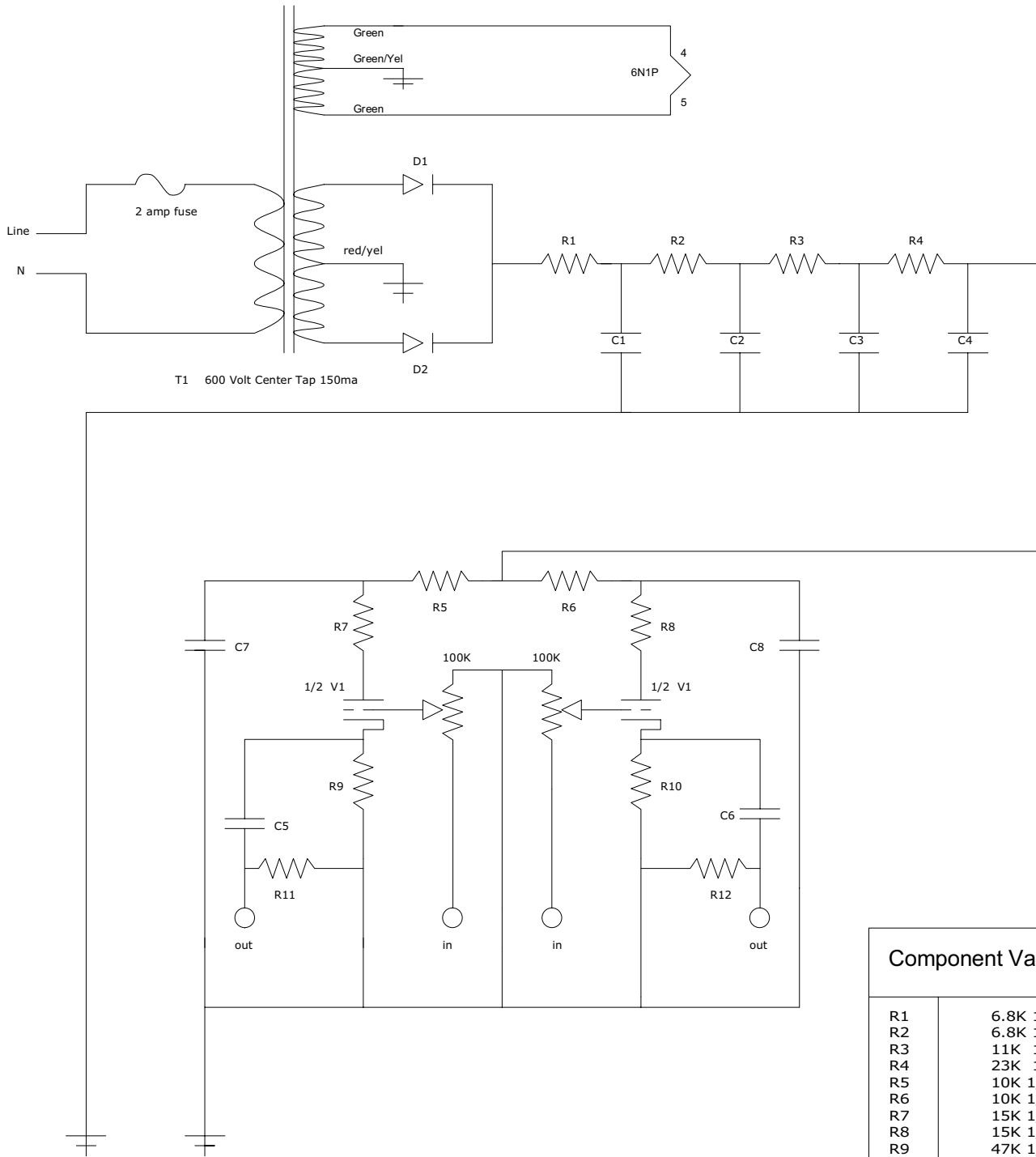


ZSLA-1 TUBE ATTENUATOR / BUFFER



oNOTES:

- * All resistors are 2%
- * This circuit has virtually no load so you will not see a large voltage drop
- * The plate voltage of this circuit is 400 volts which exceeds max recommended tube voltage but these recommended limits assume the tube is under load. We have found the 6N1P to have no problems in this circuit.
- * All grounds terminate to a single point on the XLR connector

Component Values	
R1	6.8K 1 W
R2	6.8K 1 W
R3	11K 1 W
R4	23K 1 W
R5	10K 1/2 W
R6	10K 1/2 W
R7	15K 1/2 W
R8	15K 1/2 W
R9	47K 1/2 W
R10	47K 1/2 W
R11	470K 1/2 W
R12	470K 1/2 W
C1	33 uf 450V
C2	33 uf 450V
C3	33 uf 450V
C4	33 uf 450V
C5	0.47 250V*
C6	0.47 250V*
C7	3.3 uf 450V*
C8	3.3 uf 450V*
* polypropelene	
V1	6N1P dual triode