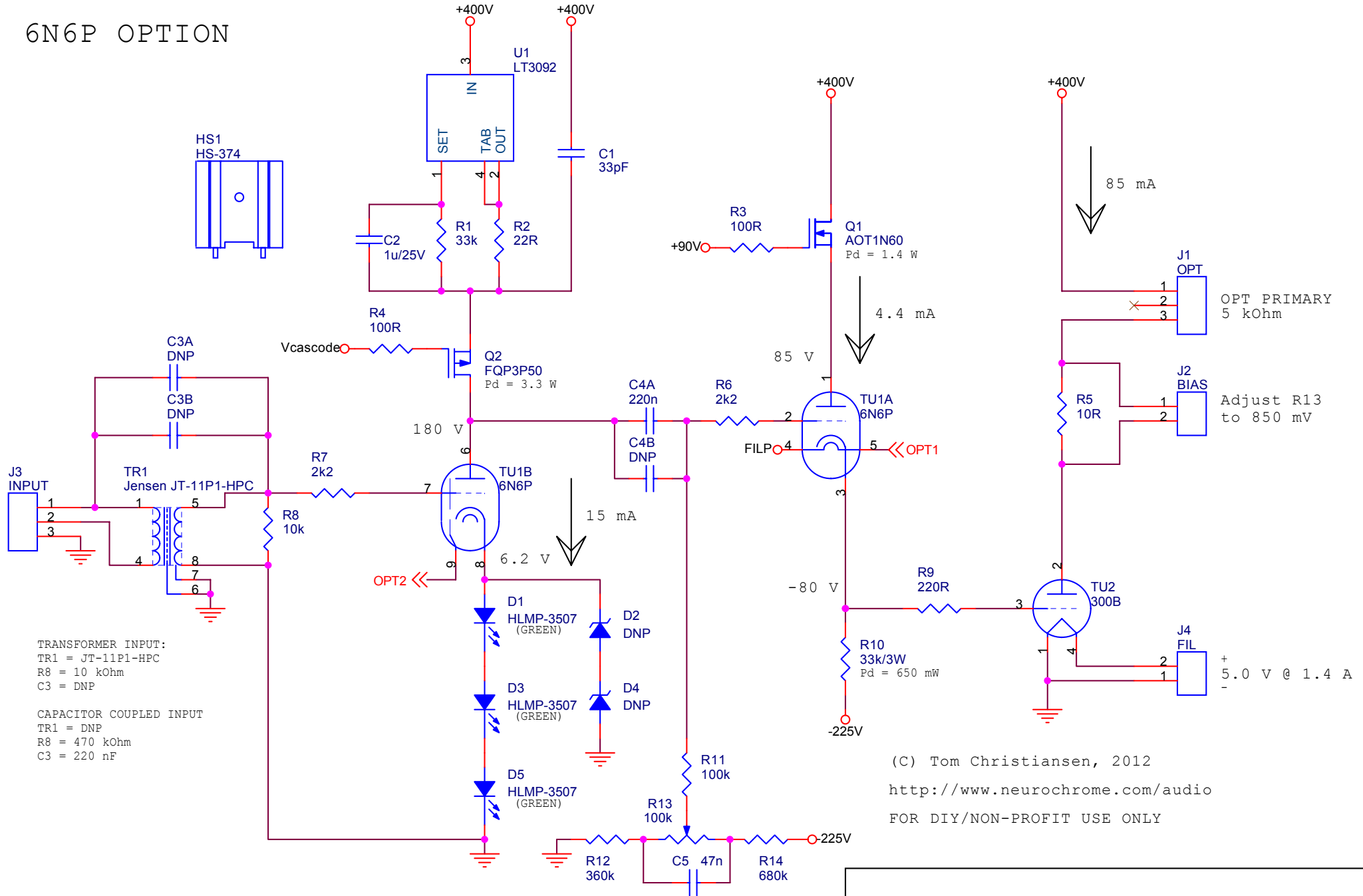


# 6N6P OPTION



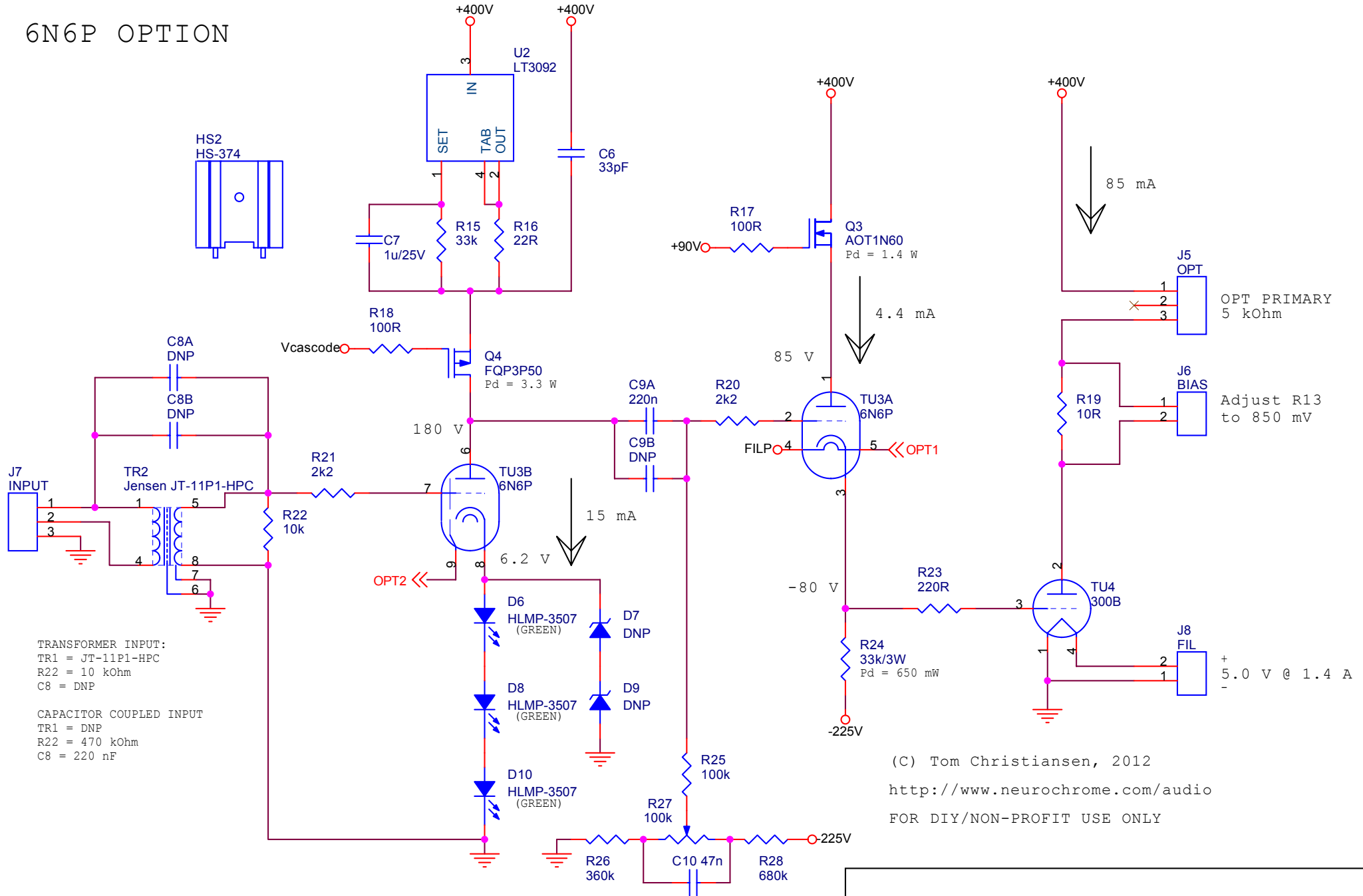
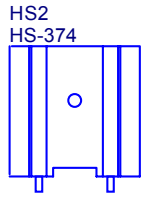
TRANSFORMER INPUT:  
 TR1 = JT-11P1-HPC  
 R8 = 10 kOhm  
 C3 = DNP

CAPACITOR COUPLED INPUT  
 TR1 = DNP  
 R8 = 470 kOhm  
 C3 = 220 nF

(C) Tom Christiansen, 2012  
<http://www.neurochrome.com/audio>  
 FOR DIY/NON-PROFIT USE ONLY

Title		
6N6P/ECC99/12BH7A (or d3A) 300B Driver		
Size	Document Number	Rev
A	TC20121010	1.0
Date:	Friday, December 21, 2012	Sheet 1 of 3

# 6N6P OPTION

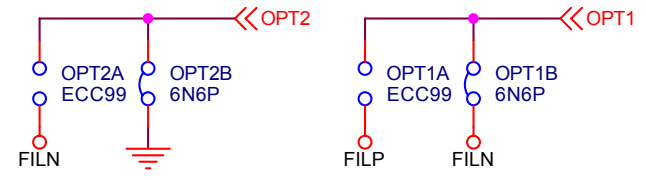
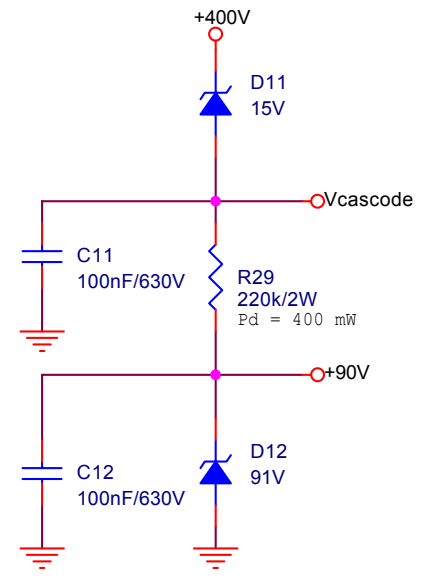
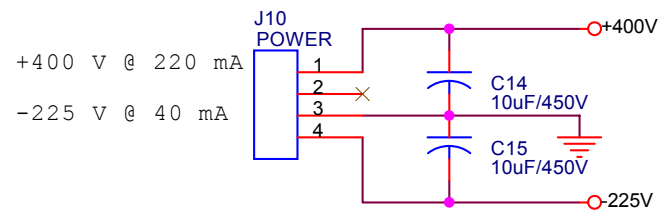
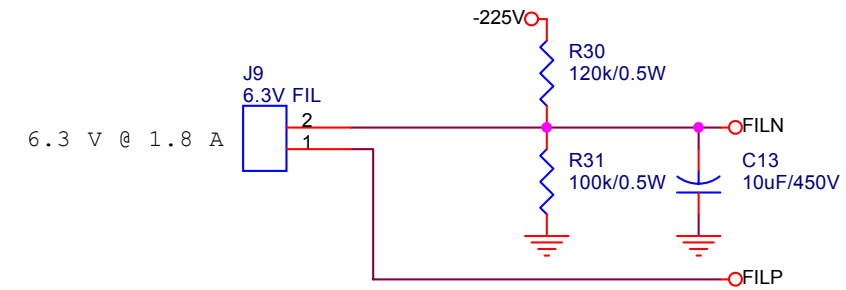


TRANSFORMER INPUT:  
 TR1 = JT-11P1-HPC  
 R22 = 10 kOhm  
 C8 = DNP

CAPACITOR COUPLED INPUT  
 TR1 = DNP  
 R22 = 470 kOhm  
 C8 = 220 nF

(C) Tom Christiansen, 2012  
<http://www.neurochrome.com/audio>  
 FOR DIY/NON-PROFIT USE ONLY

Title		
6N6P/ECC99/12BH7A (or d3A) 300B Driver		
Size	Document Number	Rev
A	TC20121010	1.0
Date:	Friday, December 21, 2012	Sheet 2 of 3



ECC99/12BH7A: USE OPT1A, OPT2A  
6N6P: USE OPT1B, OPT2B

(C) Tom Christiansen, 2012  
<http://www.neurochrome.com/audio>  
 FOR DIY/NON-PROFIT USE ONLY

Title		
6N6P/ECC99/12BH7 (or d3A) 300B Driver		
Size	Document Number	Rev
A	TC20121010	1.0
Date:	Sunday, December 09, 2012	Sheet 3 of 3

# 300B Amp - Driver Board Bill of Materials, 6N6P

300B\_Driver\_R1p0 BOM, 6N6P option

© Tom Christiansen, 2012

Item	Quantity	Reference	Part	Digikey P/N
1	2	C6,C1	33pF	338-1047-ND
2	2	C7,C2	1u/25V	445-8607-ND
3	2	C8A,C3A	DNP	Solen PPE022
4	4	C3B,C4B,C8B,C9B	DNP	EF6224-ND
5	2	C9A,C4A	220n	Solen PPE022
6	2	C10,C5	47n	445-5256-ND
7	2	C11,C12	100nF/630V	EF6104
8	3	C13,C14,C15	10uF/450V	P13671-ND
9	6	D1,D3,D5,D6,D8,D10	HLMP-3507	516-1333-ND
10	4	D2,D4,D7,D9	DNP	568-5806-1-ND
11	1	D11	15V	568-5018-1-ND
12	1	D12	91V	1N4763ACT-ND
13	2	HS2,HS1	HS-374	HS374-ND
14	2	J5,J1	OPT	609-3937-ND
15	2	J6,J2	BIAS	609-3464-ND
16	2	J7,J3	INPUT	609-3937-ND
17	2	J8,J4	FIL	609-3936-ND
18	1	J9	6.3V FIL	609-3936-ND
19	1	J10	POWER	2 x 609-3936-ND
20	2	OPT2A,OPT1A	DNP	N/A
21	2	OPT2B,OPT1B	6N6P	N/A
22	4	TU1,TU3	6N6P	N/A
23	2	Q3,Q1	AOT1N60	785-1184-5-ND
24	2	Q4,Q2	FQP3P50	FQP3P50-ND
25	2	R15,R1	33k	33KQBK-ND
26	2	R16,R2	22R	22QBK-ND
27	4	R3,R4,R17,R18	100R	100QBK-ND
28	2	R19,R5	10R	10QBK-ND
29	4	R6,R7,R20,R21	2k2	2.2KQBK-ND
30	2	R22,R8	10k	10KQBK-ND
31	2	R23,R9	220R	220QBK-ND
32	2	R24,R10	33k/3W	P33KW-3BK-ND
33	2	R25,R11	100k	100KQBK-ND
34	2	R26,R12	360k	360KQBK-ND
35	2	R27,R13	100k	3362H-104LF-ND
36	2	R28,R14	680k	680KQBK-ND
37	1	R29	220k/2W	220KW-2
38	1	R30	120k/0.5W	120KH-ND
39	1	R31	100k/0.5W	100KH-ND
40	2	TR2,TR1	Jensen JT-11P1-HPC	N/A
41	2	TU4,TU2	300B	N/A
42	2	U2,U1	LT3092	LT3092EST#PBF-ND

DNP = Do Not Populate

# 300B Amp - Driver Board Bill of Materials, ECC99

300B\_Driver\_R1p0 BOM, ECC99 option

© Tom Christiansen, 2012

Item	Quantity	Reference	Part	Digikey P/N
1	2	C6,C1	33pF	338-1047-ND
2	2	C7,C2	1u/25V	445-8607-ND
3	2	C8A,C3A	DNP	Solen PPE022
4	4	C3B,C4B,C8B,C9B	DNP	EF6224-ND
5	2	C9A,C4A	220n	Solen PPE022
6	2	C10,C5	47n	445-5256-ND
7	2	C11,C12	100nF/630V	EF6104
8	3	C13,C14,C15	10uF/450V	P13671-ND
9	6	D1,D3,D5,D6,D8,D10	HLMP-3507	516-1333-ND
10	4	D2,D4,D7,D9	DNP	568-5806-1-ND
11	1	D11	15V	568-5018-1-ND
12	1	D12	91V	1N4763ACT-ND
13	2	HS2,HS1	HS-374	HS374-ND
14	2	J5,J1	OPT	609-3937-ND
15	2	J6,J2	BIAS	609-3464-ND
16	2	J7,J3	INPUT	609-3937-ND
17	2	J8,J4	FIL	609-3936-ND
18	1	J9	6.3V FIL	609-3936-ND
19	1	J10	POWER	2 x 609-3936-ND
20	2	OPT2A,OPT1A	ECC99	N/A
21	2	OPT2B,OPT1B	DNP	N/A
22	4	TU1,TU3	ECC99	N/A
23	2	Q3,Q1	AOT1N60	785-1184-5-ND
24	2	Q4,Q2	FQP3P50	FQP3P50-ND
25	2	R15,R1	33k	33KQBK-ND
26	2	R16,R2	27R	27QBK-ND
27	4	R3,R4,R17,R18	100R	100QBK-ND
28	2	R19,R5	10R	10QBK-ND
29	4	R6,R7,R20,R21	2k2	2.2KQBK-ND
30	2	R22,R8	10k	10KQBK-ND
31	2	R23,R9	220R	220QBK-ND
32	2	R24,R10	33k/3W	P33KW-3BK-ND
33	2	R25,R11	100k	100KQBK-ND
34	2	R26,R12	360k	360KQBK-ND
35	2	R27,R13	100k	3362H-104LF-ND
36	2	R28,R14	680k	680KQBK-ND
37	1	R29	220k/2W	220KW-2
38	1	R30	120k/0.5W	120KH-ND
39	1	R31	100k/0.5W	100KH-ND
40	2	TR2,TR1	Jensen JT-11P1-HPC	N/A
41	2	TU4,TU2	300B	N/A
42	2	U2,U1	LT3092	LT3092EST#PBF-ND

DNP = Do Not Populate

Change from 6N6P option

# 300B Amp - Driver Board Bill of Materials, 12BH7A

300B\_Driver\_R1p0 BOM, 12BH7A option

© Tom Christiansen, 2012

Item	Quantity	Reference	Part	Digikey P/N
1	2	C6,C1	33pF	338-1047-ND
2	2	C7,C2	1u/25V	445-8607-ND
3	2	C8A,C3A	DNP	Solen PPE022
4	4	C3B,C4B,C8B,C9B	DNP	EF6224-ND
5	2	C9A,C4A	220n	Solen PPE022
6	2	C10,C5	47n	445-5256-ND
7	2	C11,C12	100nF/630V	EF6104
8	3	C13,C14,C15	10uF/450V	P13671-ND
9	6	D1,D3,D5,D6,D8,D10	DNP	516-1333-ND
10	4	D2,D4,D7,D9	6V2	568-5806-1-ND
11	1	D11	15V	568-5018-1-ND
12	1	D12	91V	1N4763ACT-ND
13	2	HS2,HS1	HS-374	HS374-ND
14	2	J5,J1	OPT	609-3937-ND
15	2	J6,J2	BIAS	609-3464-ND
16	2	J7,J3	INPUT	609-3937-ND
17	2	J8,J4	FIL	609-3936-ND
18	1	J9	6.3V FIL	609-3936-ND
19	1	J10	POWER	2 x 609-3936-ND
20	2	OPT2A,OPT1A	12BH7A	N/A
21	2	OPT2B,OPT1B	DNP	N/A
22	4	TU1,TU3	12BH7A	N/A
23	2	Q3,Q1	AOT1N60	785-1184-5-ND
24	2	Q4,Q2	FQP3P50	FQP3P50-ND
25	2	R15,R1	33k	33KQBK-ND
26	2	R16,R2	33R	33QBK-ND
27	4	R3,R4,R17,R18	100R	100QBK-ND
28	2	R19,R5	10R	10QBK-ND
29	4	R6,R7,R20,R21	2k2	2.2KQBK-ND
30	2	R22,R8	10k	10KQBK-ND
31	2	R23,R9	220R	220QBK-ND
32	2	R24,R10	33k/3W	P33KW-3BK-ND
33	2	R25,R11	100k	100KQBK-ND
34	2	R26,R12	360k	360KQBK-ND
35	2	R27,R13	100k	3362H-104LF-ND
36	2	R28,R14	680k	680KQBK-ND
37	1	R29	220k/2W	220KW-2
38	1	R30	120k/0.5W	120KH-ND
39	1	R31	100k/0.5W	100KH-ND
40	2	TR2,TR1	Jensen JT-11P1-HPC	N/A
41	2	TU4,TU2	300B	N/A
42	2	U2,U1	LT3092	LT3092EST#PBF-ND

DNP = Do Not Populate

Change from 6N6P option