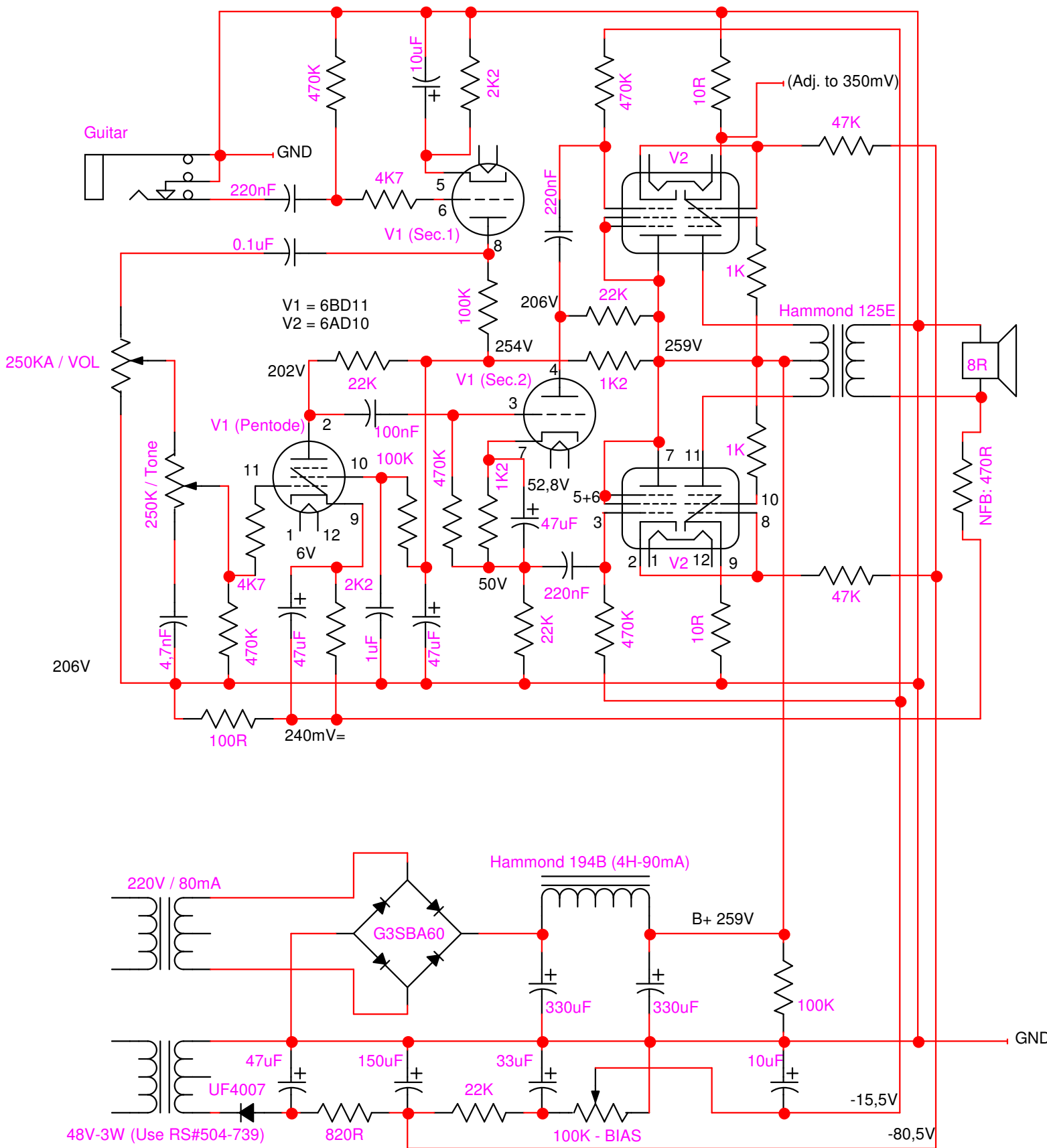


MINI Gee-Tah Amplifier v2.2



Required Filament-Supply = 6.3V@3.15A (Use RS#504-666)

(c) by TRICOMP 2012-05-27
Free for all non-commercial uses.