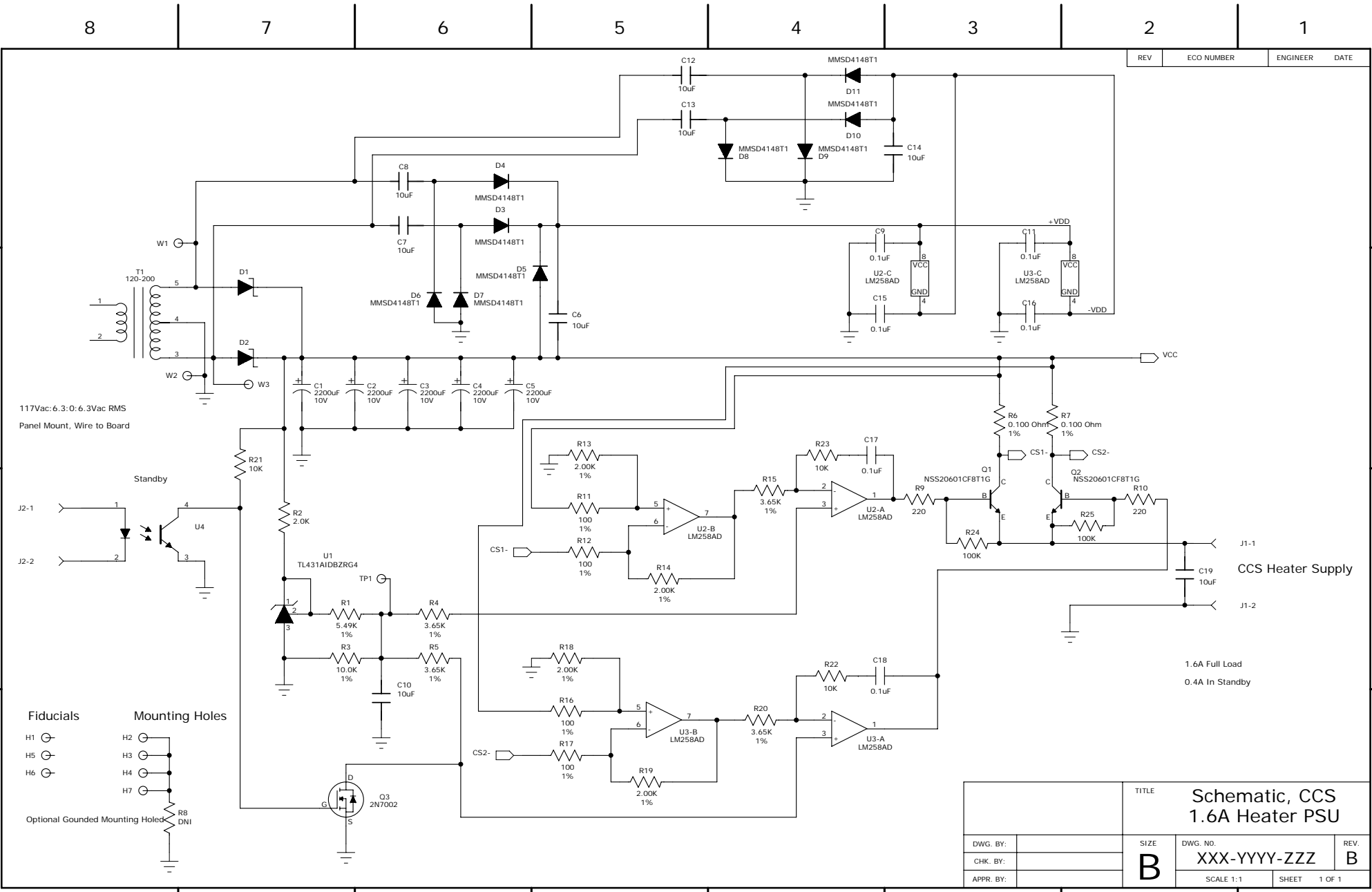


REV	ECO NUMBER	ENGINEER	DATE
-----	------------	----------	------

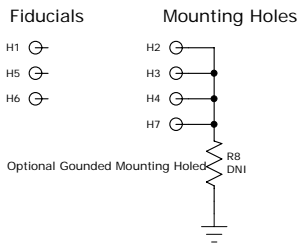


117Vac:6.3:0.6.3Vac RMS
Panel Mount, Wire to Board

Standby

CCS Heater Supply

1.6A Full Load
0.4A In Standby



DWG. BY:		TITLE		Schematic, CCS 1.6A Heater PSU	
CHK. BY:		SIZE	DWG. NO.	REV.	
APPR. BY:		B	XXX-YYYY-ZZZ	B	
		SCALE 1:1		SHEET 1 OF 1	