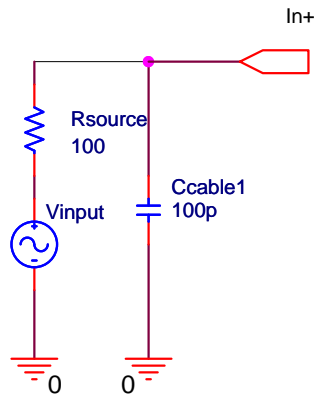


H1(1KHz)=1.64mA  
 H2(2KHz)=11.67uA  
 H3(KHz)=201nA



VOFF = 0mV  
 VAMPL = 1V  
 FREQ = 1K  
 PHASE = 0

AC = 2V  
 DC = 0V  
 DF = 0

