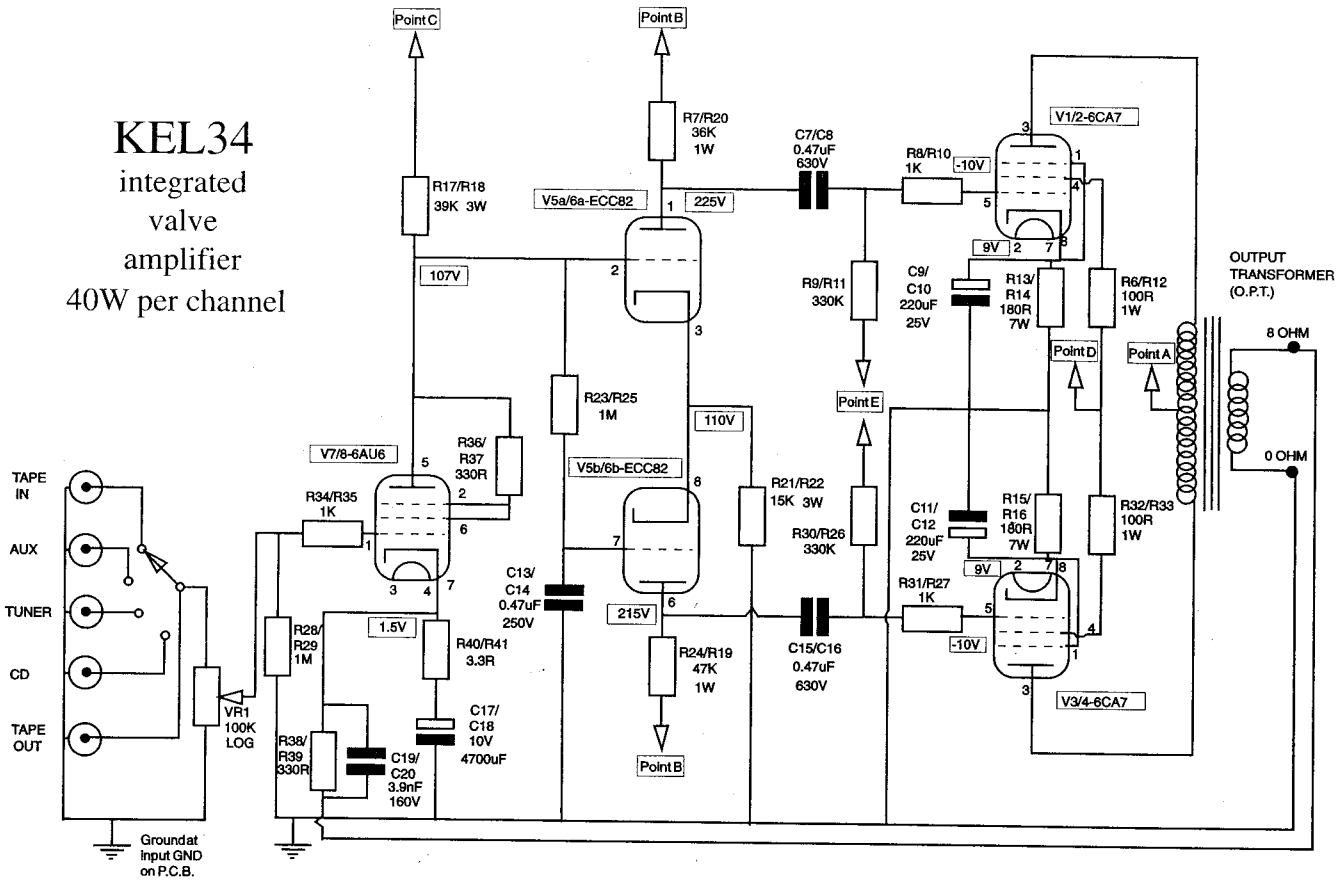
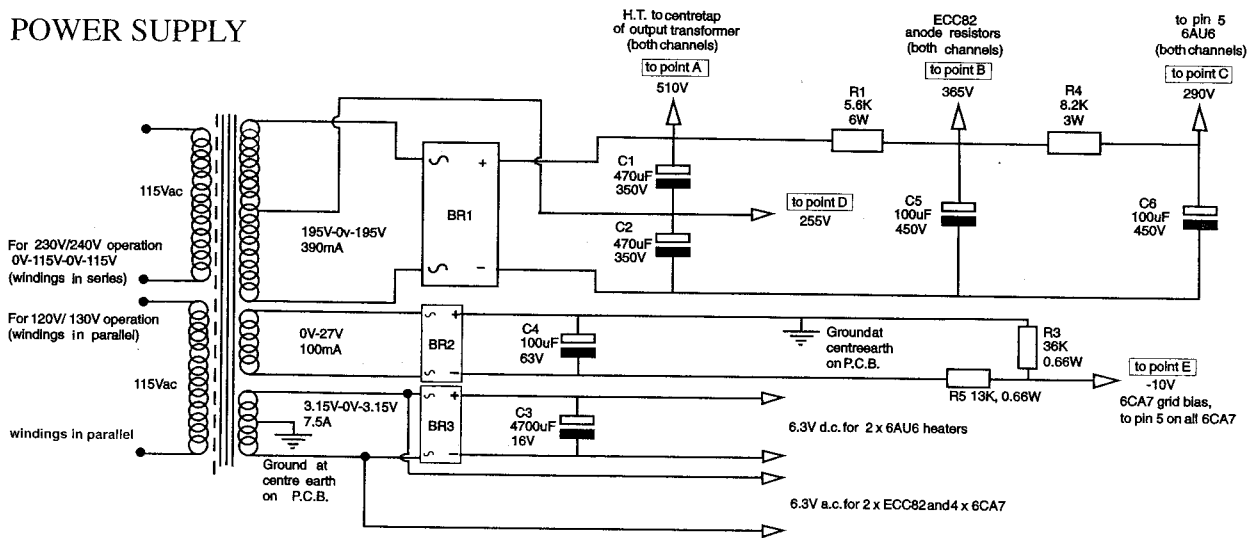


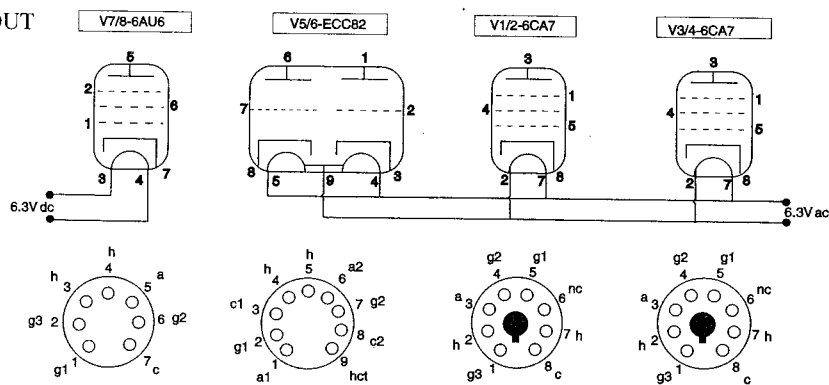
KEL34
integrated
valve
amplifier
40W per channel



POWER SUPPLY



VALVE PIN LAYOUT



Views are from underneath valve or valve holder
h = heater hct = heater centre tap c = cathode a = anode nc = no connection