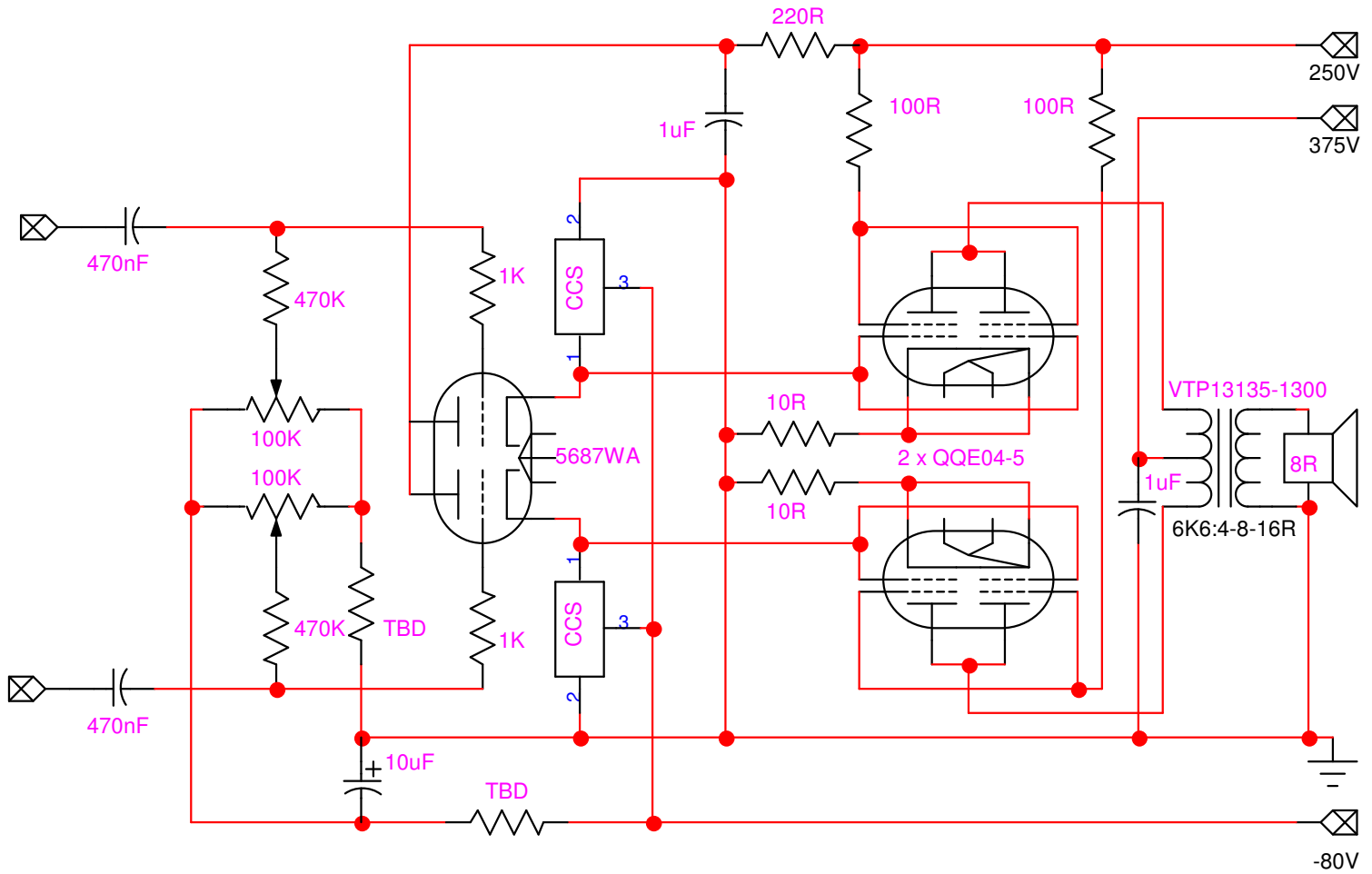


QQE04-5 PPP Amp

PRELIMINARY

TBD = To Be Determined



CCS-Circuit (lccs TBD)

