

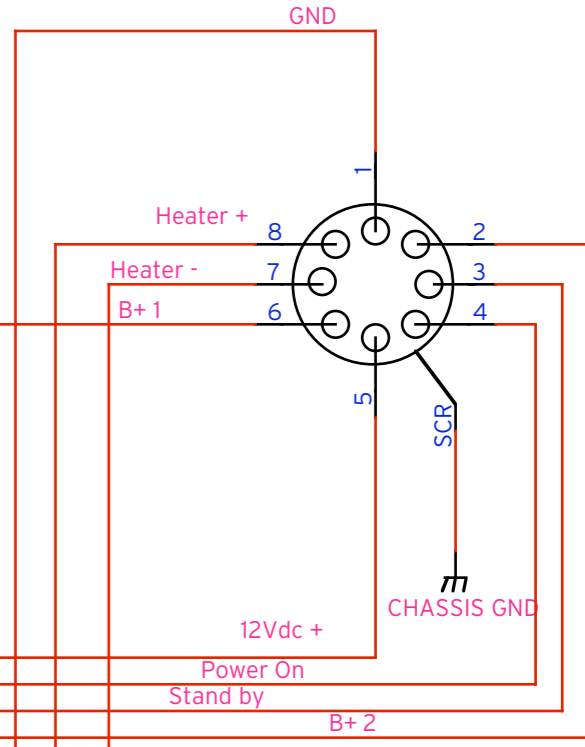
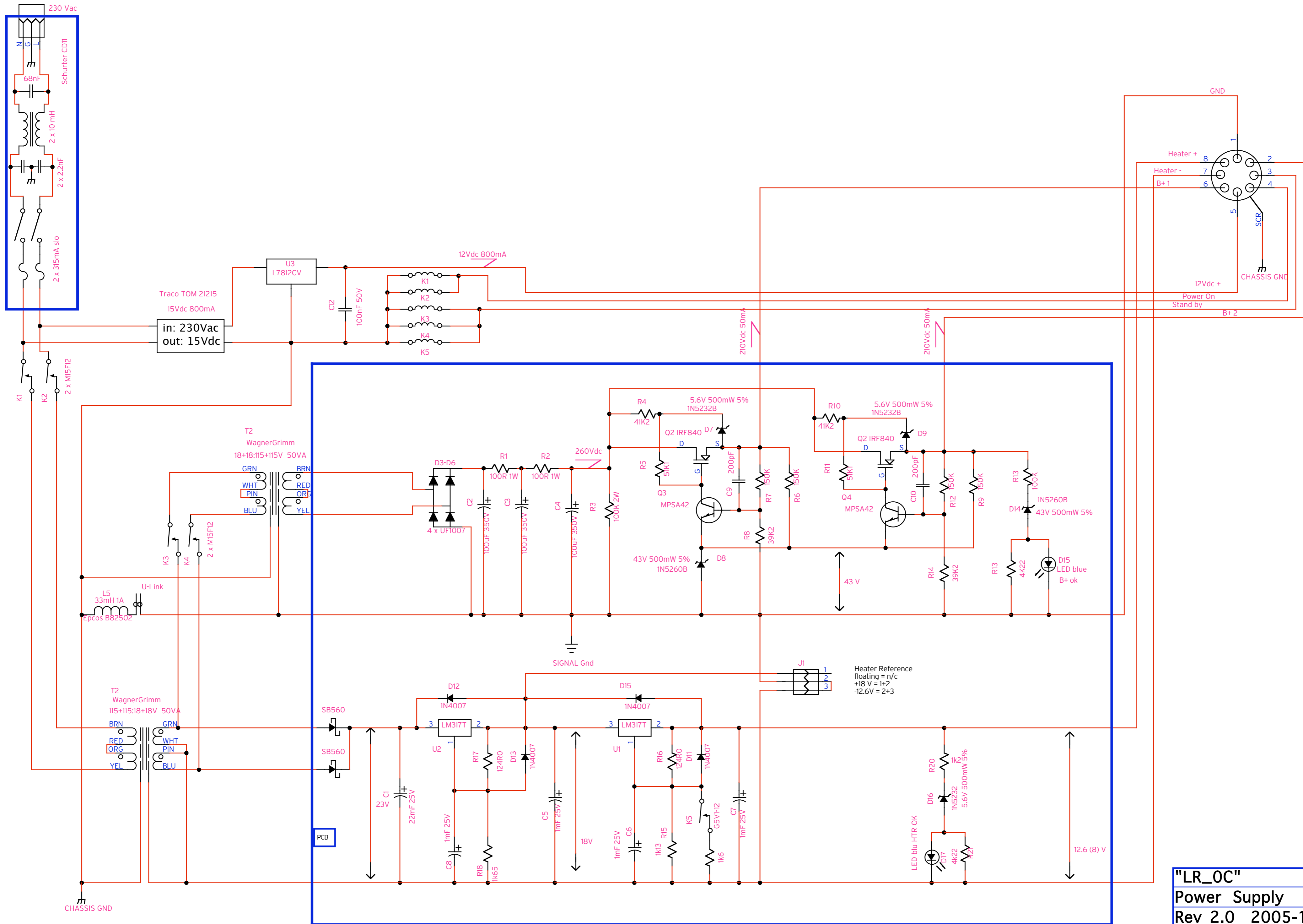
on main PCB

MM in (~2.5mV, 47k; gain 40dB)

MC in (~0.25mV; gain 60dB)

"LR_OC"
 RIAA Phono Stage
 Rev 3.0 2005-11-27
 © Steve Bench

Chassis GND



"LR_0C"
 Power Supply
 Rev 2.0 2005-11-21
 © Steve Bench
 all rights reserved