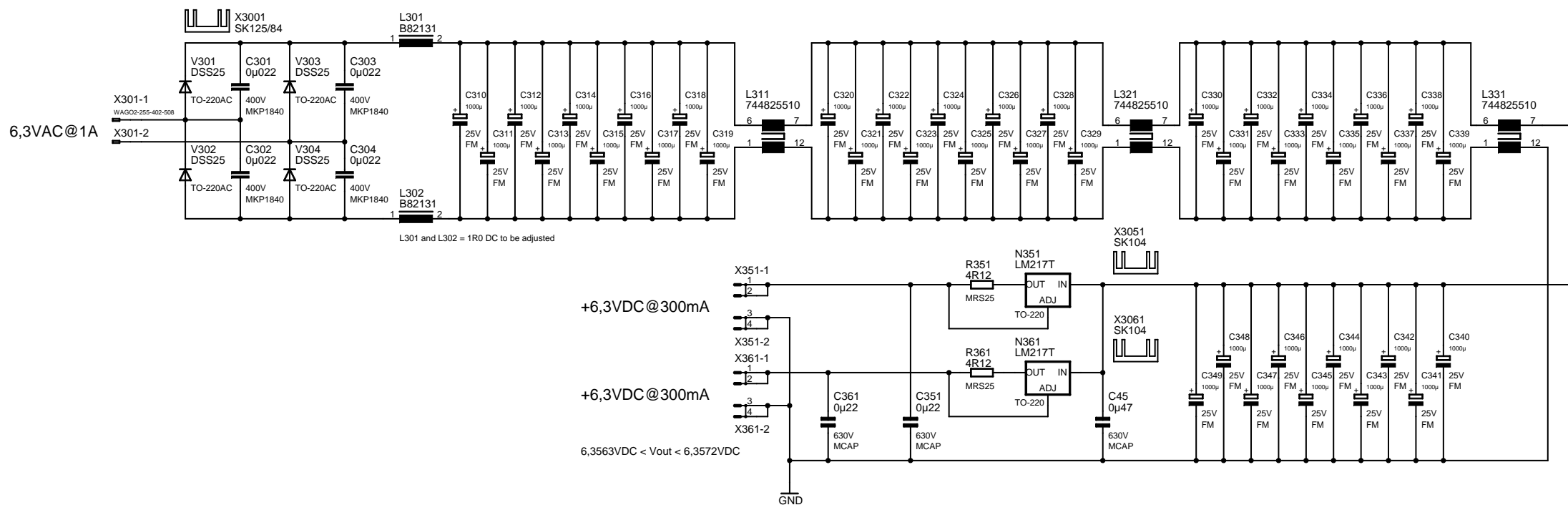


THE INFORMATION CONTAINED IN THIS DRAWING IS THE SOLE PROPERTY OF H.D.M. SCHWEITZER. ANY REPRODUCTION IN PART OR WHOLE IS STRICTLY PROHIBITED WITHOUT WRITTEN PERMISSION.

PROPRIETARY

REV	DATE	CHANGE HISTORY	ISSUE	Hardware Design Manuela Schweitzer	STUTENSEE, BW GERMANY	THIS DRAWING CONTAINS PROPRIETARY INFORMATION AND SHOULD NOT BE USED WITHOUT WRITTEN PERMISSION.	© 2009	REV
001	26.05.2009	Development	DRAWN	TITLE Euridice - HT Supplies				001
			CHECKED	DATE 27.05.2009 18:32:00				DRG N ^o
			DATE	FILE: Euridice_Power_Supplies				PAGE: 2/3



THE INFORMATION CONTAINED IN THIS DRAWING IS THE SOLE PROPERTY OF H.D.M. SCHWEITZER. ANY REPRODUCTION IN PART OR WHOLE IS STRICTLY PROHIBITED WITHOUT WRITTEN PERMISSION.
PROPRIETARY

REV	DATE	CHANGE HISTORY	ISSUE	Hardware Design Manuela Schweitzer	STUTENSEE, BW GERMANY	THIS DRAWING CONTAINS PROPRIETARY INFORMATION AND SHOULD NOT BE USED WITHOUT WRITTEN PERMISSION.	© 2009	REV
001	26.05.2009	Development	DRAWN	TITLE Euridice - 5842 Heather Supplies				001
			CHECKED	DATE 27.05.2009 18:32:00				DRG N°
			DATE	FILE: Euridice_Power_Supplies				PAGE: 3/3