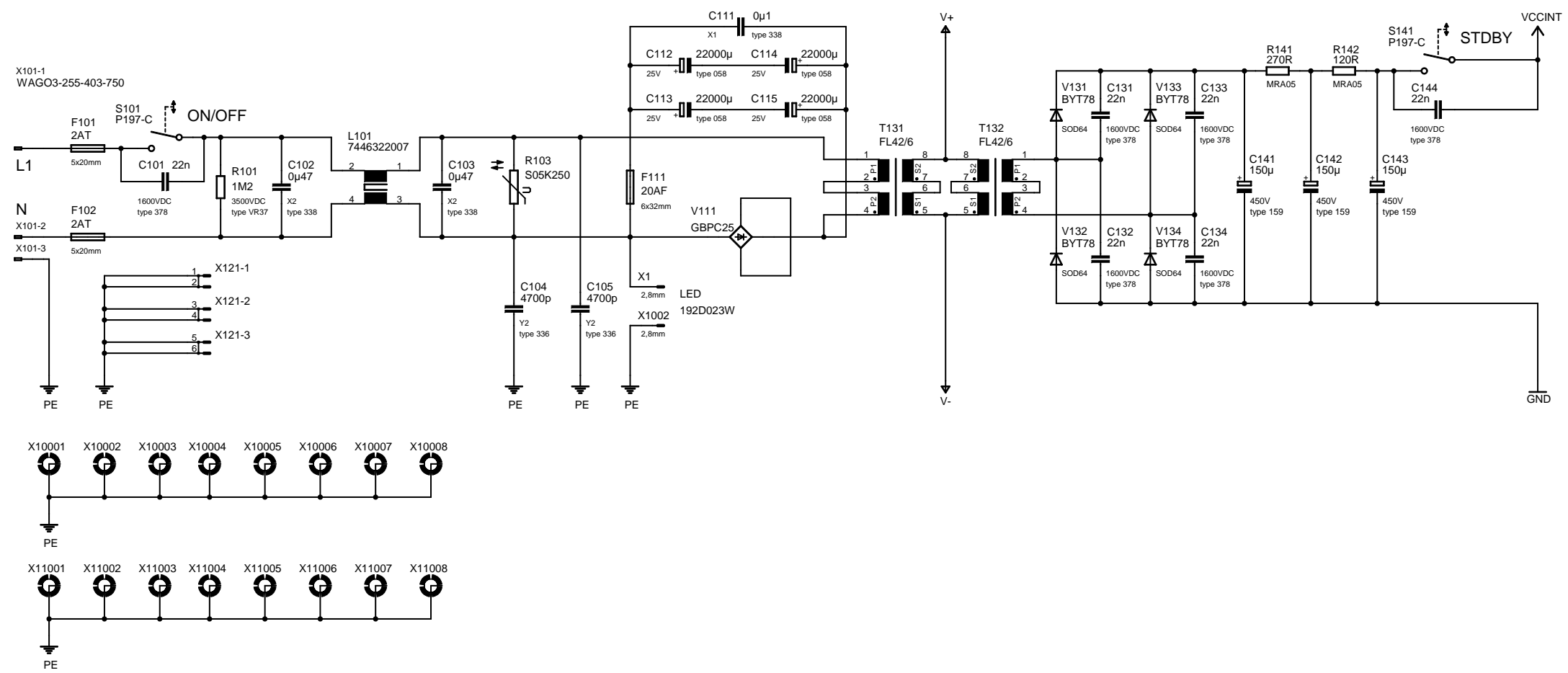


THE INFORMATION CONTAINED IN THIS DRAWING IS THE SOLE PROPERTY OF H.D.M. SCHWEITZER. ANY REPRODUCTION IN PART OR WHOLE IS STRICTLY PROHIBITED WITHOUT WRITTEN PERMISSION.
PROPRIETARY

REV	DATE	CHANGE HISTORY	ISSUE	Hardware Design Manuela Schweitzer	STUTENSEE, BW GERMANY	THIS DRAWING CONTAINS PROPRIETARY INFORMATION AND SHOULD NOT BE USED WITHOUT WRITTEN PERMISSION.	© 2009	REV
001	01.05.2009	Development	DRAWN	M. Schweitzer				001
			CHECKED	JP. Schweitzer				
			DATE	01.05.2009 17:29:12				DRG N°
			FILE:	1626-SE-Amplifier				PAGE: 1/2



THE INFORMATION CONTAINED IN THIS DRAWING IS THE SOLE PROPERTY OF H.D.M. SCHWEITZER. ANY REPRODUCTION IN PART OR WHOLE IS STRICTLY PROHIBITED WITHOUT WRITTEN PERMISSION.

PROPRIETARY

REV	DATE	CHANGE HISTORY	ISSUE	Hardware Design Manuela Schweitzer	STUTENSEE, BW GERMANY	THIS DRAWING CONTAINS PROPRIETARY INFORMATION AND SHOULD NOT BE USED WITHOUT WRITTEN PERMISSION.	© 2009	REV
			DRAWN	M. Schweitzer				TITLE
			CHECKED	JP. Schweitzer				1626 SE-Amplifier - Main
			DATE					001
			DATE					DATE
								01.05.2009 17:29:12
								DRG N ^o
								FILE: 1626-SE-Amplifier
								PAGE: 2/2
001	01.05.2009	Development						