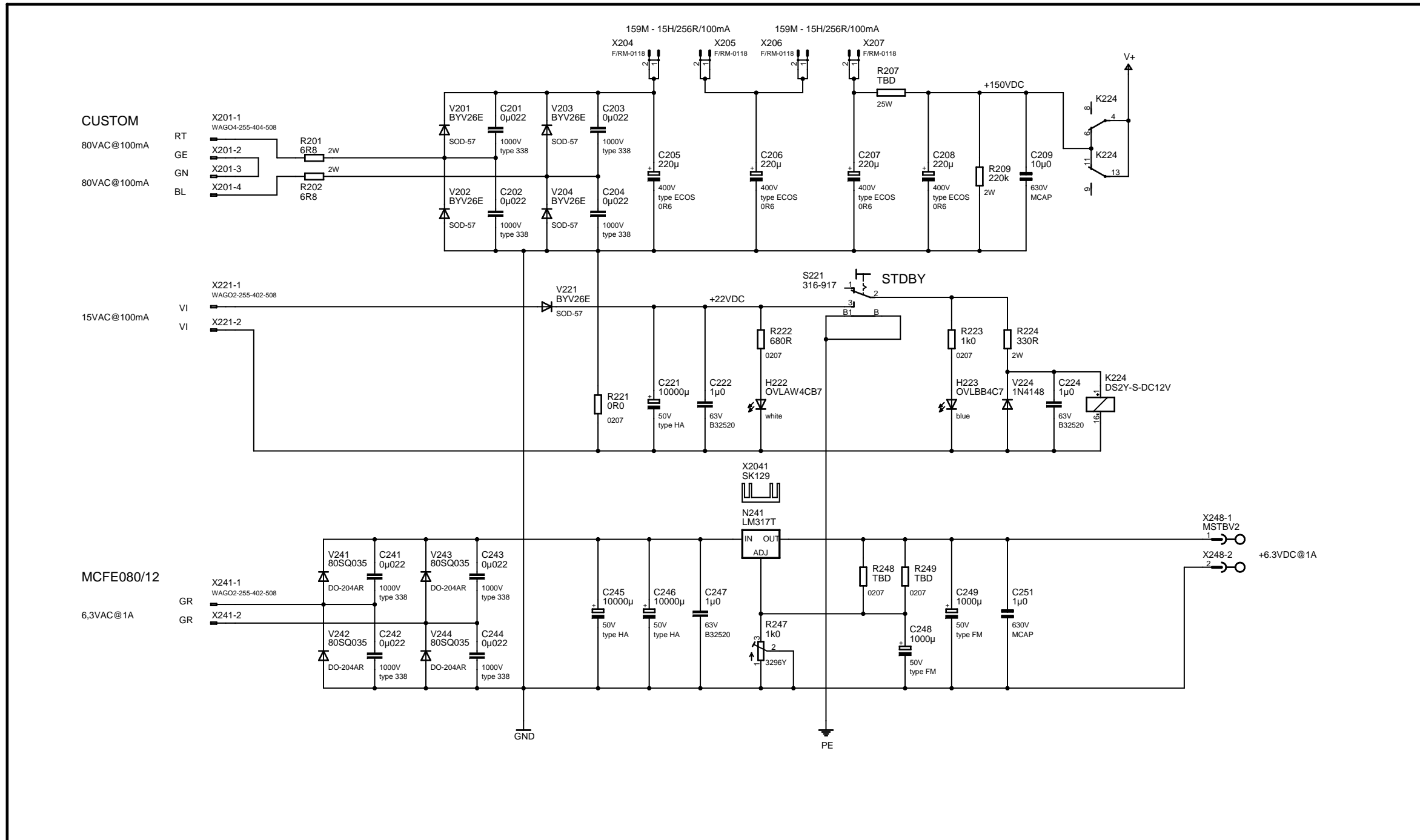


THE INFORMATION CONTAINED IN THIS DRAWING IS THE SOLE PROPERTY OF H.D.M. SCHWEITZER. ANY REPRODUCTION IN PART OR WHOLE IS STRICTLY PROHIBITED WITHOUT WRITTEN PERMISSION.

PROPRIETARY

REV	DATE	CHANGE HISTORY	ISSUE	Hardware Design Manuela Schweitzer	STUTENSEE, BW GERMANY	THIS DRAWING CONTAINS PROPRIETARY INFORMATION AND SHOULD NOT BE USED WITHOUT WRITTEN PERMISSION.	© 2009	REV
001	16.05.2009	Development	DRAWN	TITLE 6AS7G Amplifier - Main				001
			CHECKED	DATE 18.05.2009 19:40:48				DRG N ^o
			DATE	FILE: 6AS7G_Power_Supplies				PAGE: 1/4

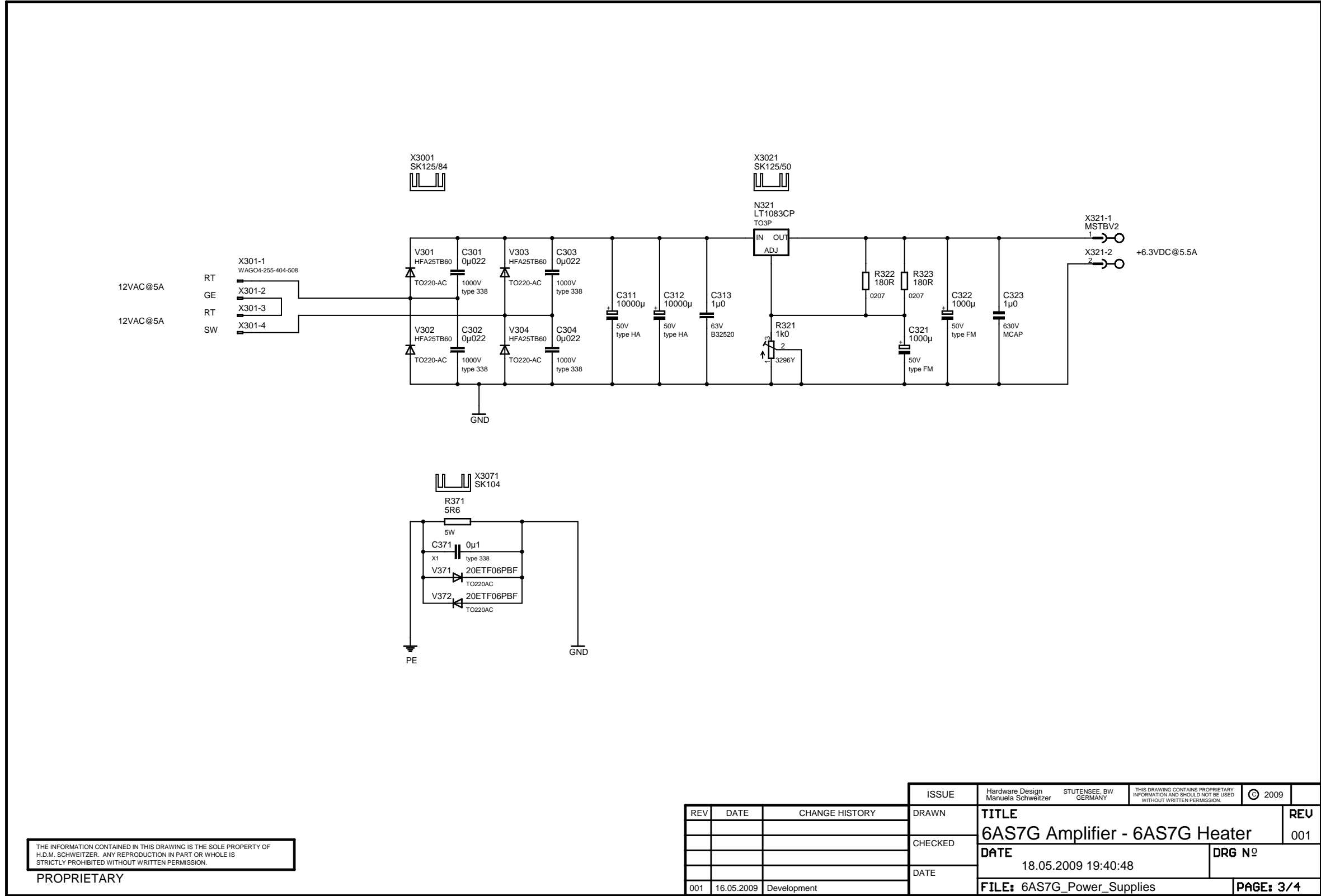


THE INFORMATION CONTAINED IN THIS DRAWING IS THE SOLE PROPERTY OF H.D.M. SCHWEITZER. ANY REPRODUCTION IN PART OR WHOLE IS STRICTLY PROHIBITED WITHOUT WRITTEN PERMISSION.

PROPRIETARY

REV	DATE	CHANGE HISTORY
001	16.05.2009	Development

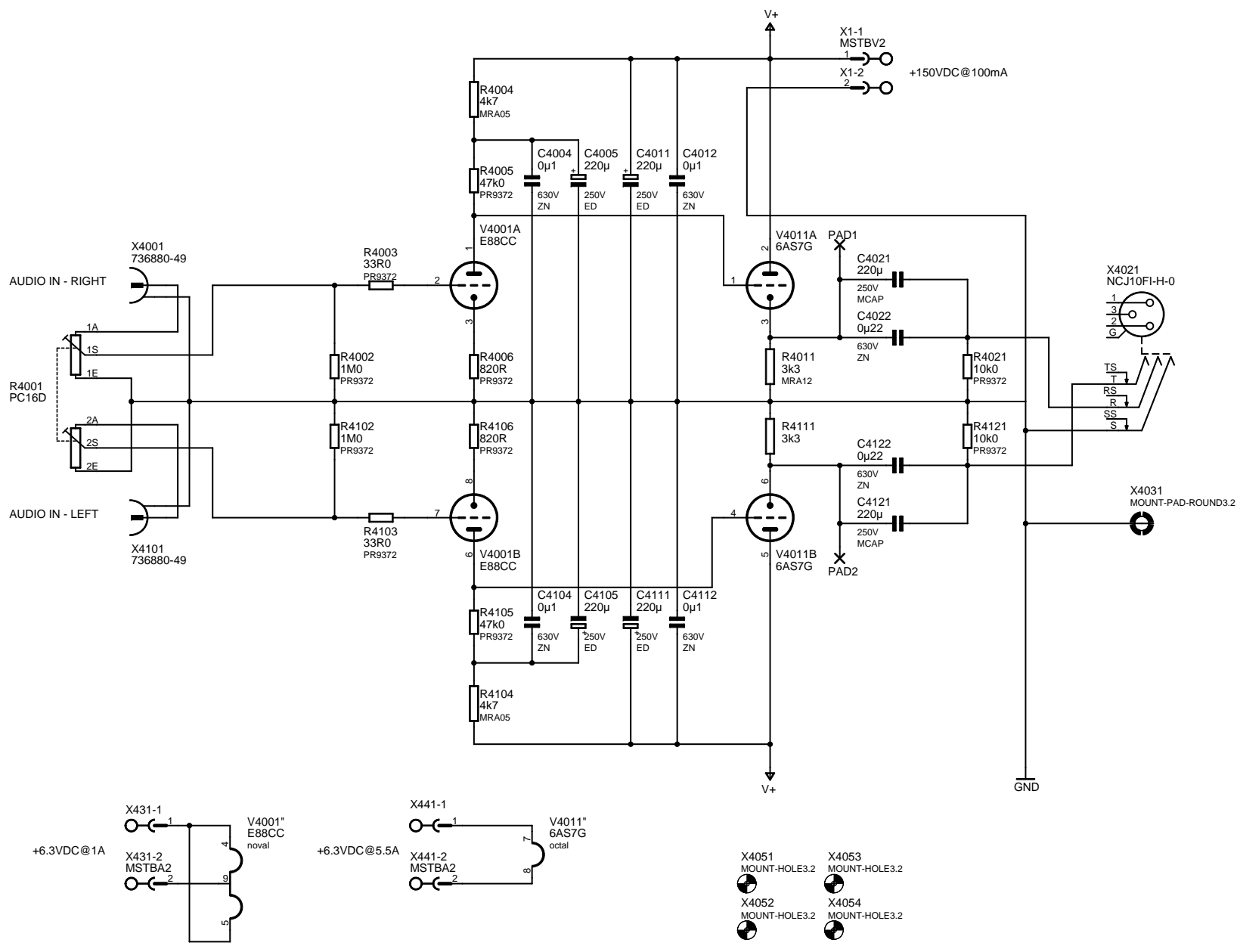
ISSUE	Hardware Design Manuela Schweitzer	STUTENSEE, BW GERMANY	THIS DRAWING CONTAINS PROPRIETARY INFORMATION AND SHOULD NOT BE USED WITHOUT WRITTEN PERMISSION.	© 2009
DRAWN	TITLE 6AS7G Amplifier - Power Supplies			REV 001
CHECKED	DATE 18.05.2009 19:40:48			DRG N°
DATE	FILE: 6AS7G_Power_Supplies			PAGE: 2/4



THE INFORMATION CONTAINED IN THIS DRAWING IS THE SOLE PROPERTY OF H.D.M. SCHWEITZER. ANY REPRODUCTION IN PART OR WHOLE IS STRICTLY PROHIBITED WITHOUT WRITTEN PERMISSION.

PROPRIETARY

REV	DATE	CHANGE HISTORY	ISSUE	Hardware Design Manuela Schweitzer	STUTENSEE, BW GERMANY	THIS DRAWING CONTAINS PROPRIETARY INFORMATION AND SHOULD NOT BE USED WITHOUT WRITTEN PERMISSION.	© 2009	REV
001	16.05.2009	Development	DRAWN	TITLE				001
			CHECKED	DATE			DRG N ^o	
			DATE	18.05.2009 19:40:48				
				FILE: 6AS7G_Power_Supplies			PAGE: 3/4	



THE INFORMATION CONTAINED IN THIS DRAWING IS THE SOLE PROPERTY OF H.D.M. SCHWEITZER. ANY REPRODUCTION IN PART OR WHOLE IS STRICTLY PROHIBITED WITHOUT WRITTEN PERMISSION.
PROPRIETARY

REV	DATE	CHANGE HISTORY	ISSUE	Hardware Design Manuela Schweitzer	STUTENSEE, BW GERMANY	THIS DRAWING CONTAINS PROPRIETARY INFORMATION AND SHOULD NOT BE USED WITHOUT WRITTEN PERMISSION.	© 2009	REV
001	16.05.2009	Development	DRAWN	TITLE				001
			CHECKED	DATE				
			DATE	18.05.2009 19:40:48				DRG N°
				FILE: 6AS7G_Power_Supplies				PAGE: 4/4