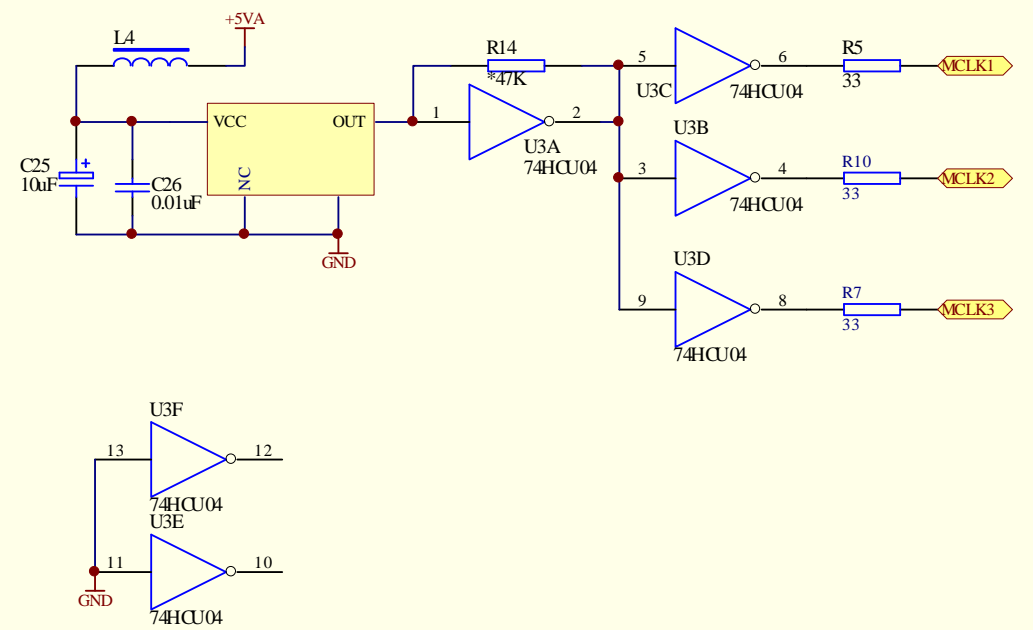
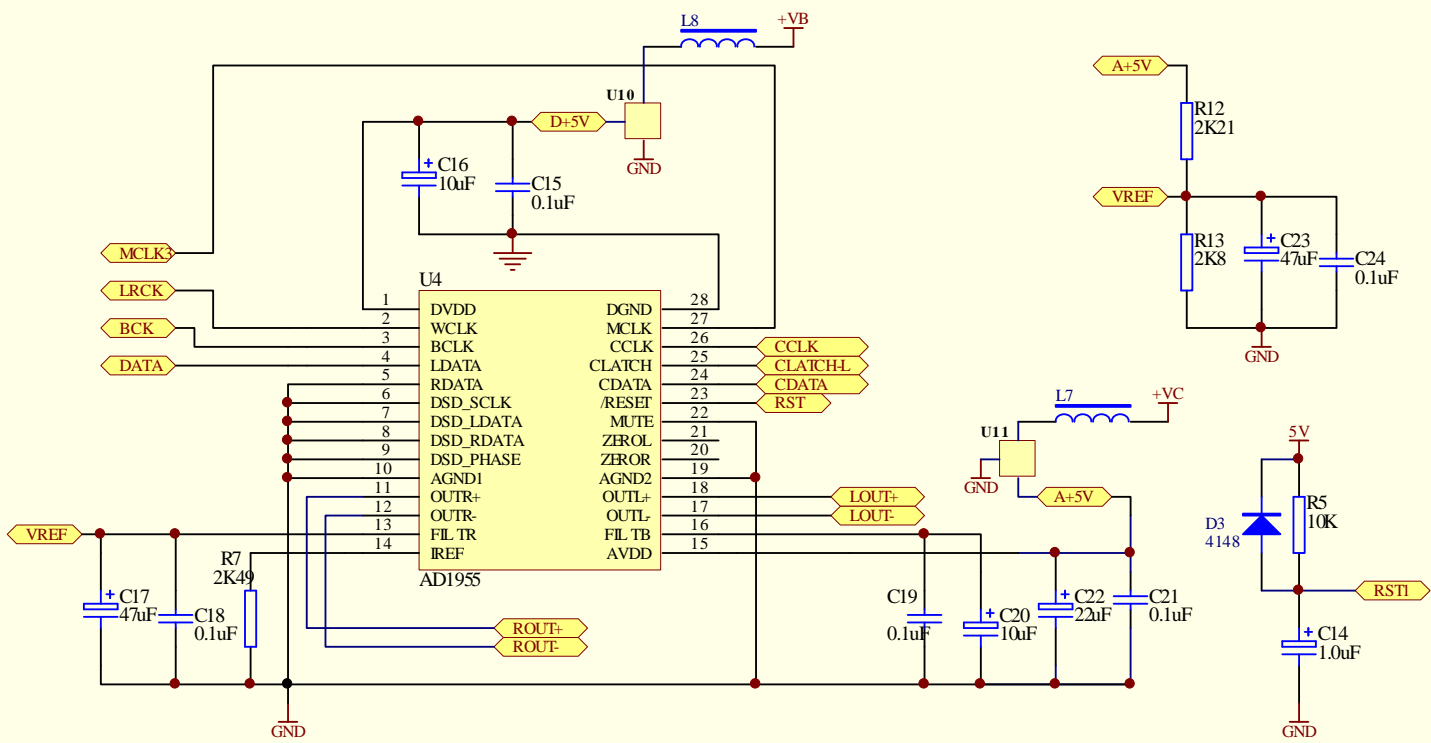


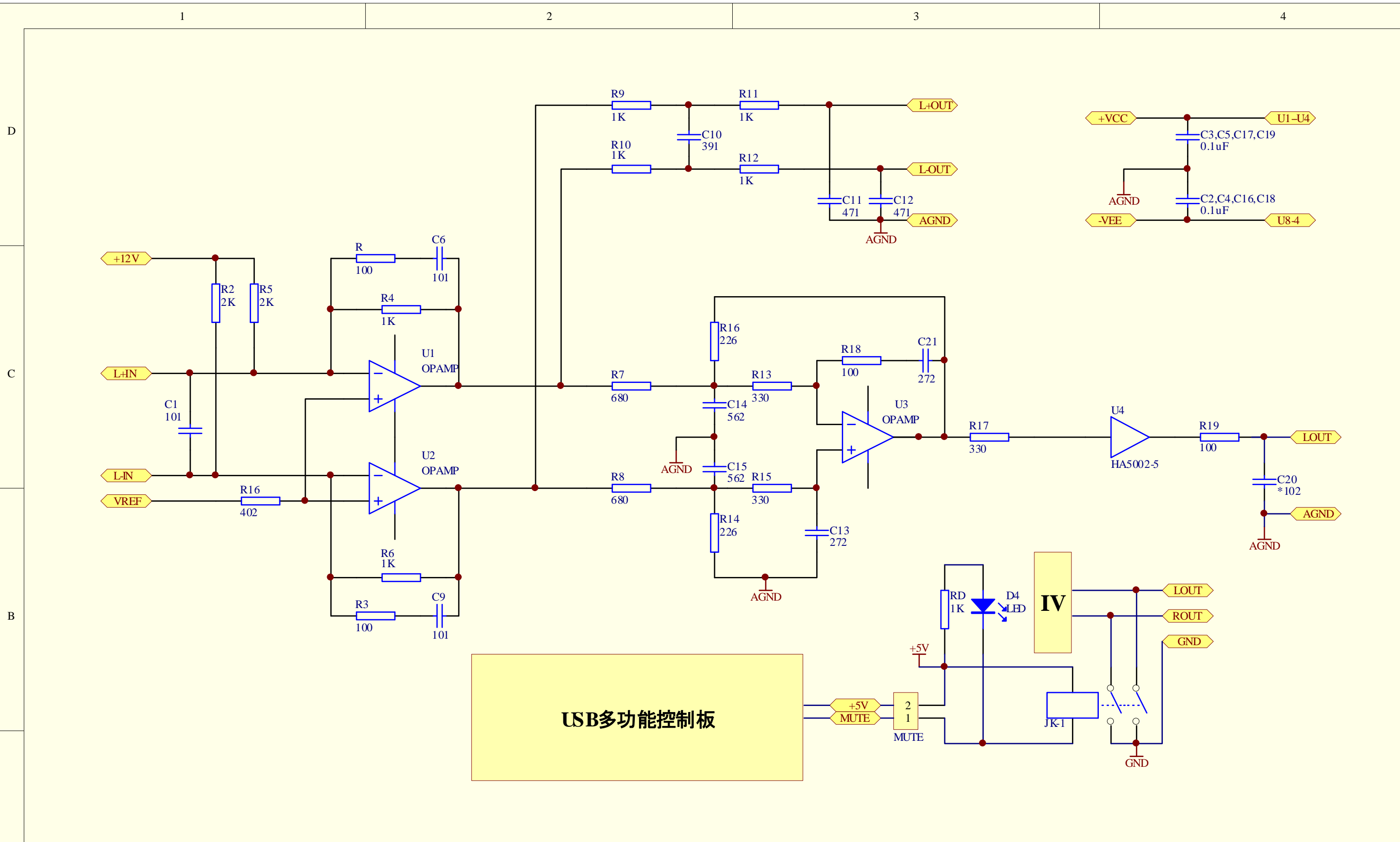
MB	MA	Format
0	0	mode
0	1	768fs
1	0	512fs
1	1	256fs

SB	SA	Width
0	0	24Bit
0	1	20Bit
1	0	18Bit
1	1	16Bit



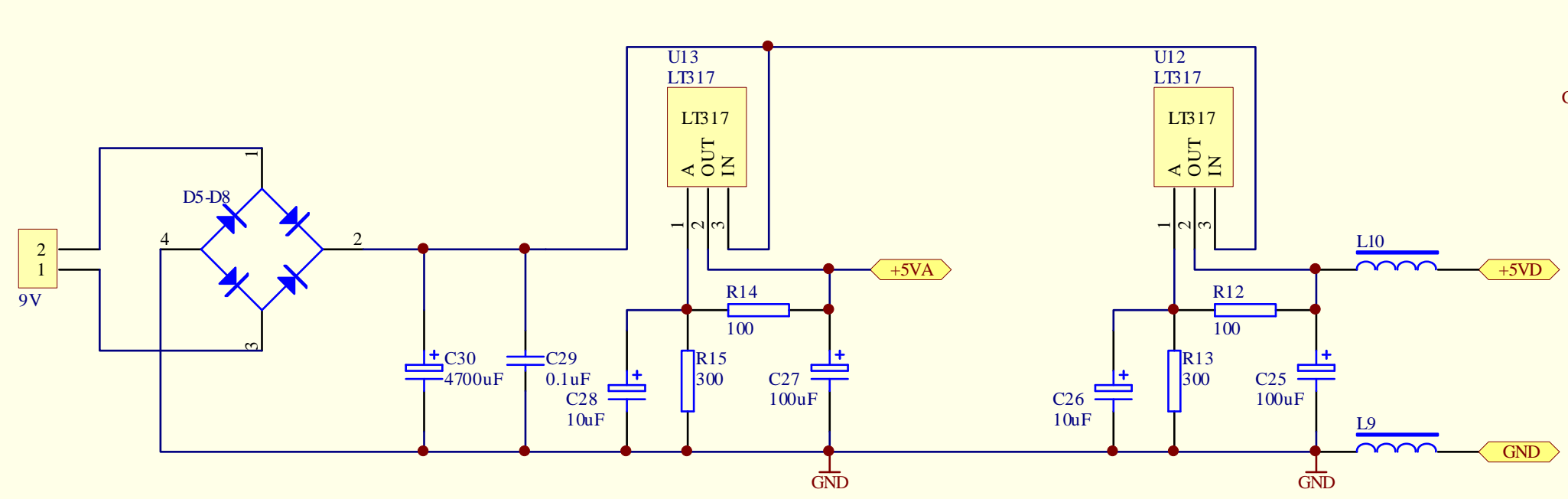
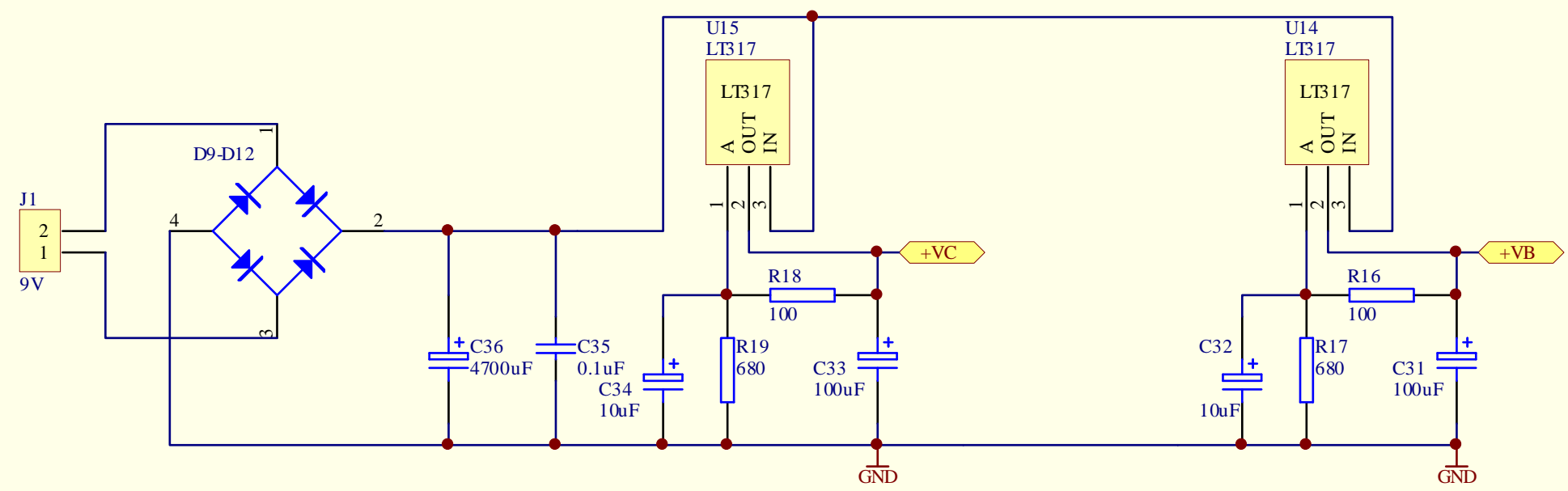
DAC PRO 1.0SP D/A SCH

Title		
Size	Number	Revision
A3		
Date:	22-Jun-2009	Sheet of
File:	E:\产品\消费电子\PCB\dac\1955-10\dac@5510sp.Ddb	1 of 1



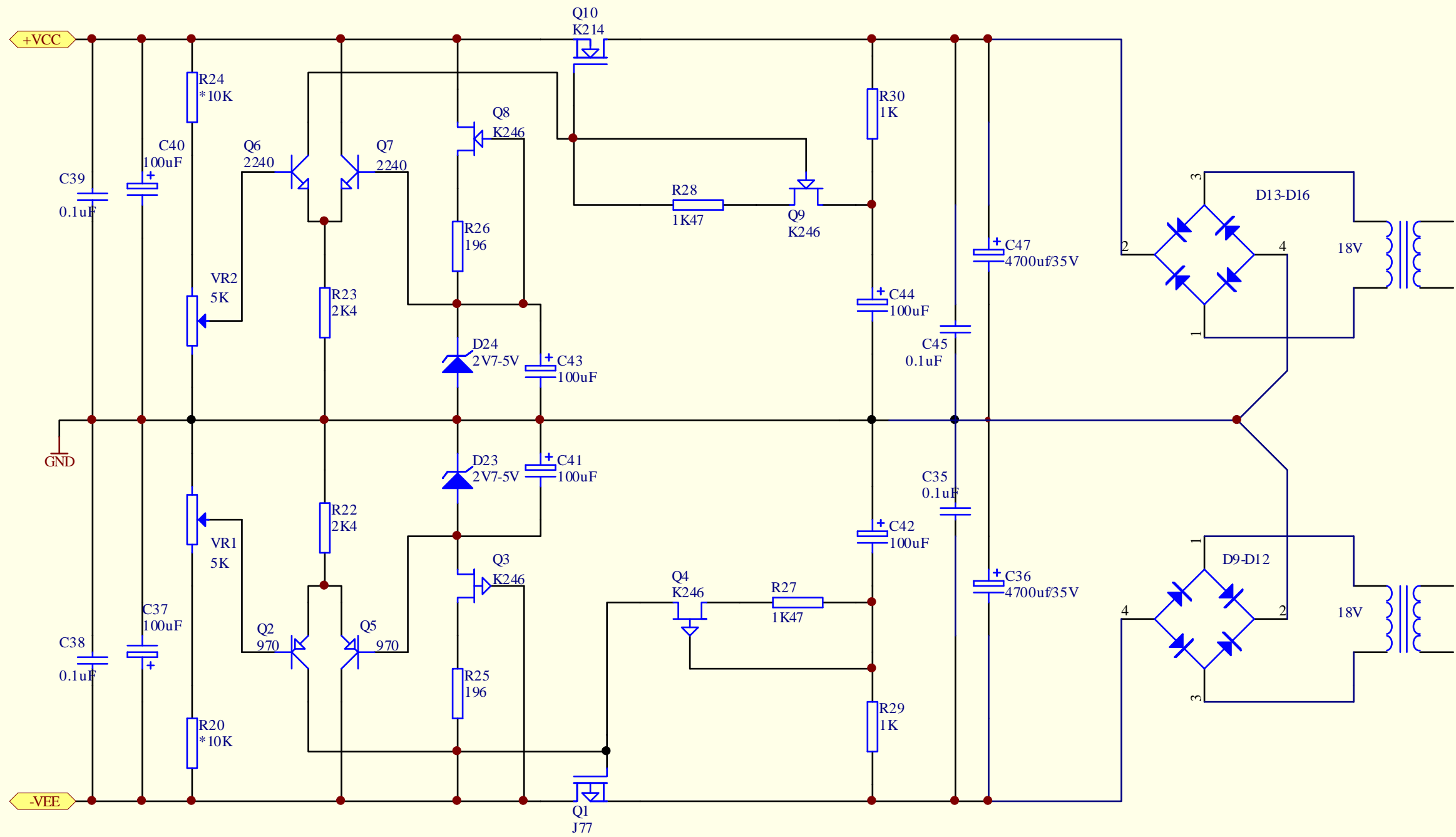
DACPRO1.0S I/V SCH2

Title		
Size	Number	Revision
A4		
Date:	22-Jun-2009	Sheet of
File:	E:\产品销售\PCB\dac1955-10\dac05510sch05b.ddb	1 of 1



DACPRO1.0S DC1 SCH3

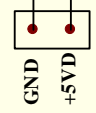
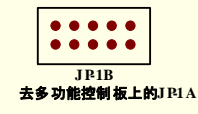
Title		
Size	Number	Revision
A4		
Date:	22-Jun-2009	Sheet of
File:	E:\产品\销售\PCB\dac\1955-10.d95510s.dwg	05/05



DAC PRO1.0S DC2 SCH

Title		
Size	Number	Revision
A4		
Date:	22-Jun-2009	Sheet of
File:	E:\产品销售部\PCB\dac\1955-10\dac\195510s\DAC PRO1.0S-wt.DDB	

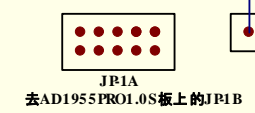
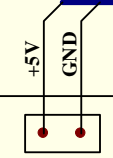
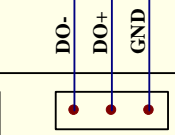
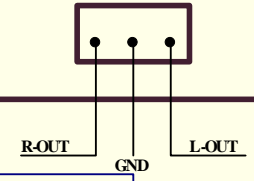
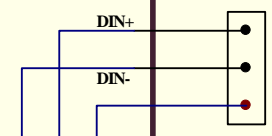
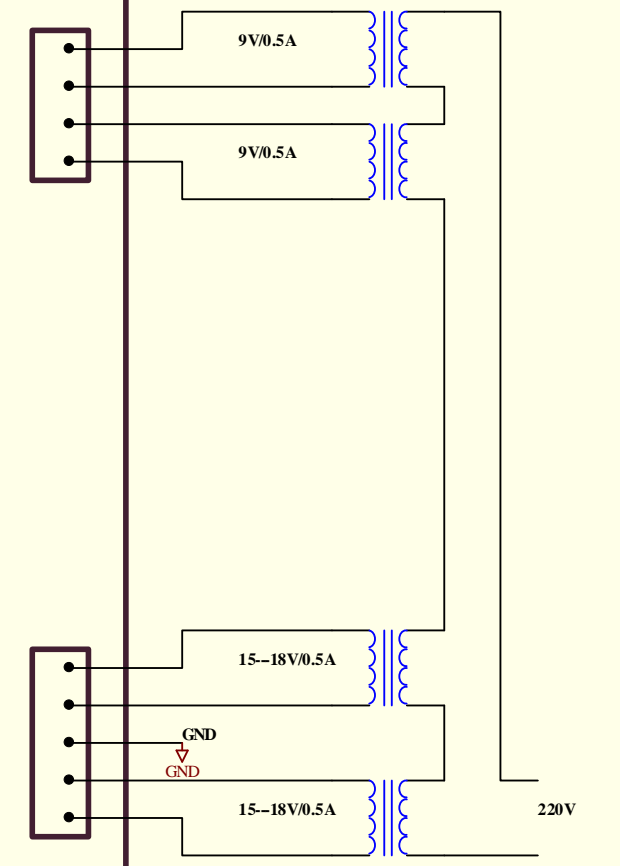
去USB多功能板板



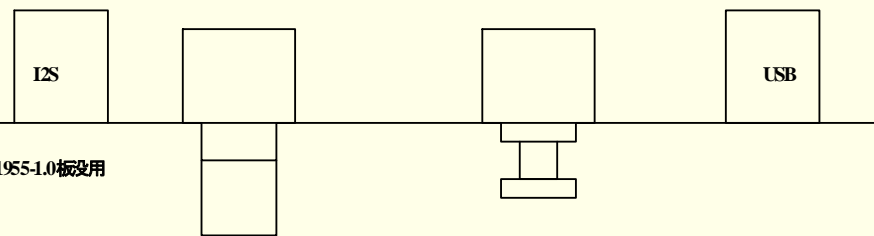
AD1955 DACPRO-1.0S

安装接线图

请务必不要接错电源引线!!!



多功能控制板需另购!



Title		
Size	Number	Revision
A3		
Date:	22-Jun-2009	Sheet of
File:	E:\产品\消费电子\PCB\ad1955-1.0\ad1955-1.0sp.Ddb	

