

Technical Manual



JBL VRX918S

SPECIFICATIONS

ACOUSTIC & ELECTRICAL SPECIFICATIONS:

- Nominal Impedance: 8 ohms
- Power Capacity: Continuous / Program / Peak:
Passive: 800 W / 1600 W / 3200 W
- Frequency Range: 31 Hz – 220 Hz (-10 dB)
- Maximum SPL: 130 dB SPL peak (1w @ 1m)
- System Sensitivity: Passive Mode 95 dB SPL (1w @ 1m)
- Crossover Freq.: 30 Hz, 24 dB / octave HPF
80 Hz, 24 dB / octave LPF

SYSTEM COMPONENTS:

- Cabinet: (Not For Sale)
- Grille: 352326-001
- Low Frequency Transducer: 2268HPL, 457 mm (18 in) Differential Driver Woofer
- DC Resistance: 5.1 ohms ± 10%
- Crossover Network: 353601-001

AURAL SWEEP TEST SPECIFICATIONS:

- A. System Aural Sweep Test: 10.0V Input, 20 Hz to 1 kHz
- B. L.F. Aural Sweep Test: 10.0V Input, 20 Hz to 1 kHz

PHYSICAL SPECIFICATIONS:

- Enclosure Dimensions: 508 mm x 597 mm x 749 mm D
(20.0 in. x 23.5 in. x 29.5 in. D)
- Net Weight: 79 lbs. (36 kg.)

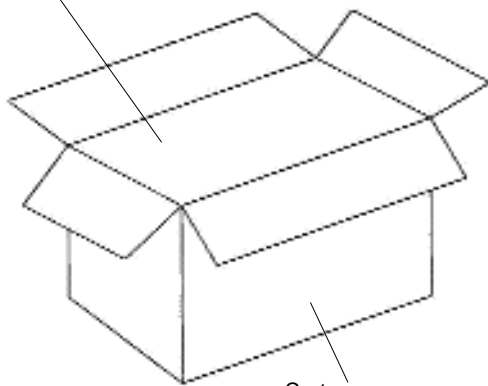
WARRANTY INFORMATION:

- Refer to Warranty Statement packed with each product.

PACKAGE

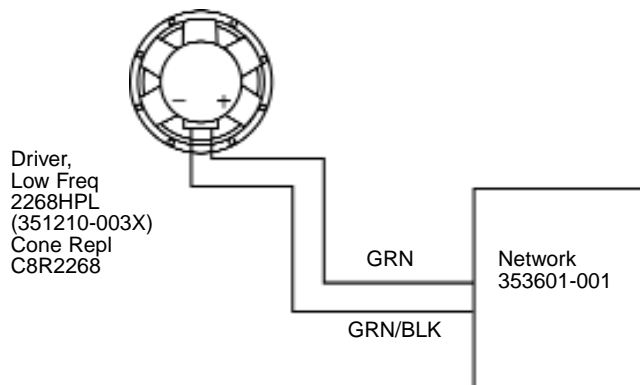
Warranty 59660

- Filler (2)
352349-001
- Pkg, Microfoam (8)
49790P
20" x 18" sheets
- Manual
353551-007

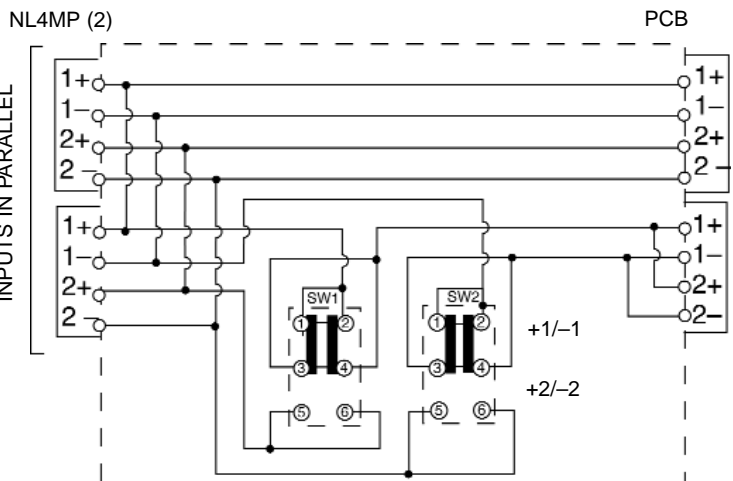


Carton
352350-001

WIRING DIAGRAM



SCHEMATIC (353601-001)



JBL VRX918S-WH REV H

JBL VRX918S

COMPONENT EXPLODED VIEW

