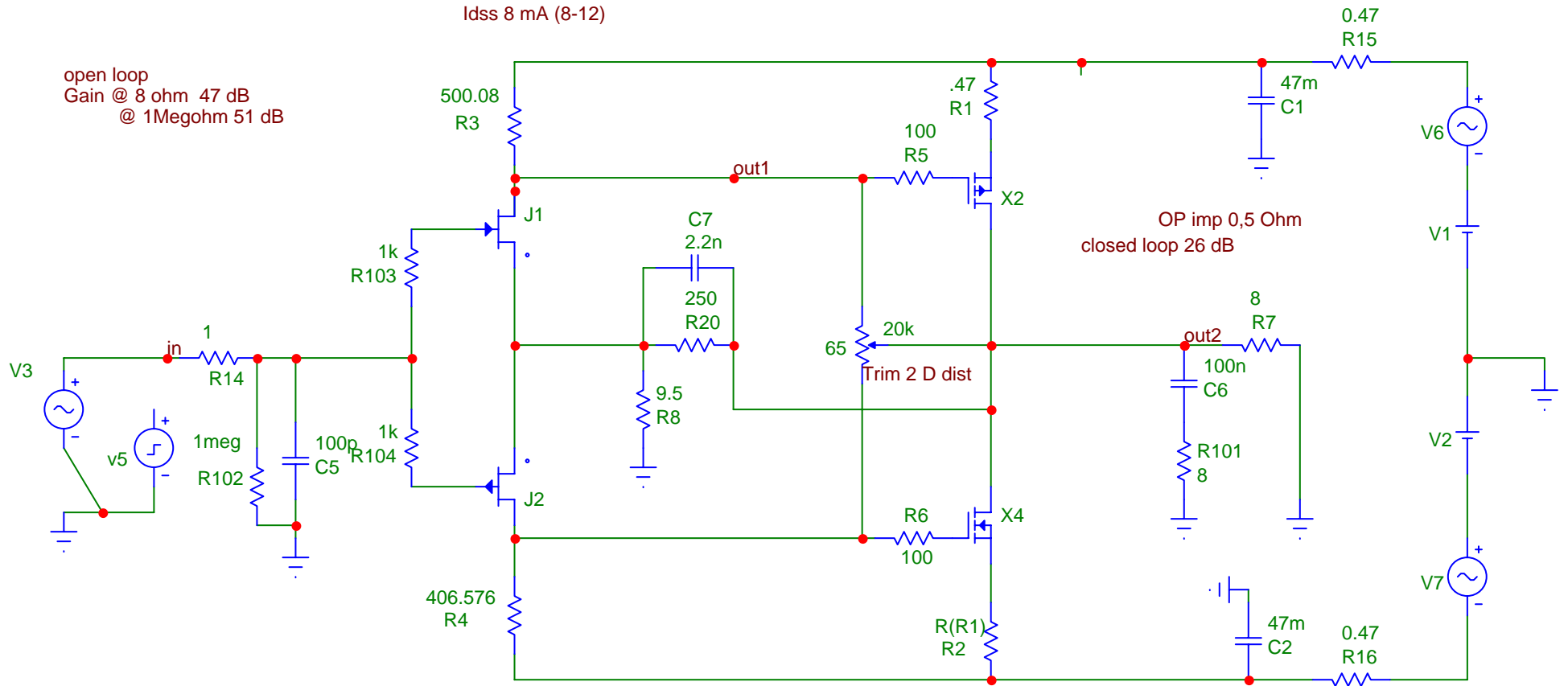


Idss 8 mA (8-12)

open loop
Gain @ 8 ohm 47 dB
@ 1Megohm 51 dB



OP imp 0,5 Ohm
closed loop 26 dB

20k
65
Trim 2 D dist

V6

V1

V2

V7