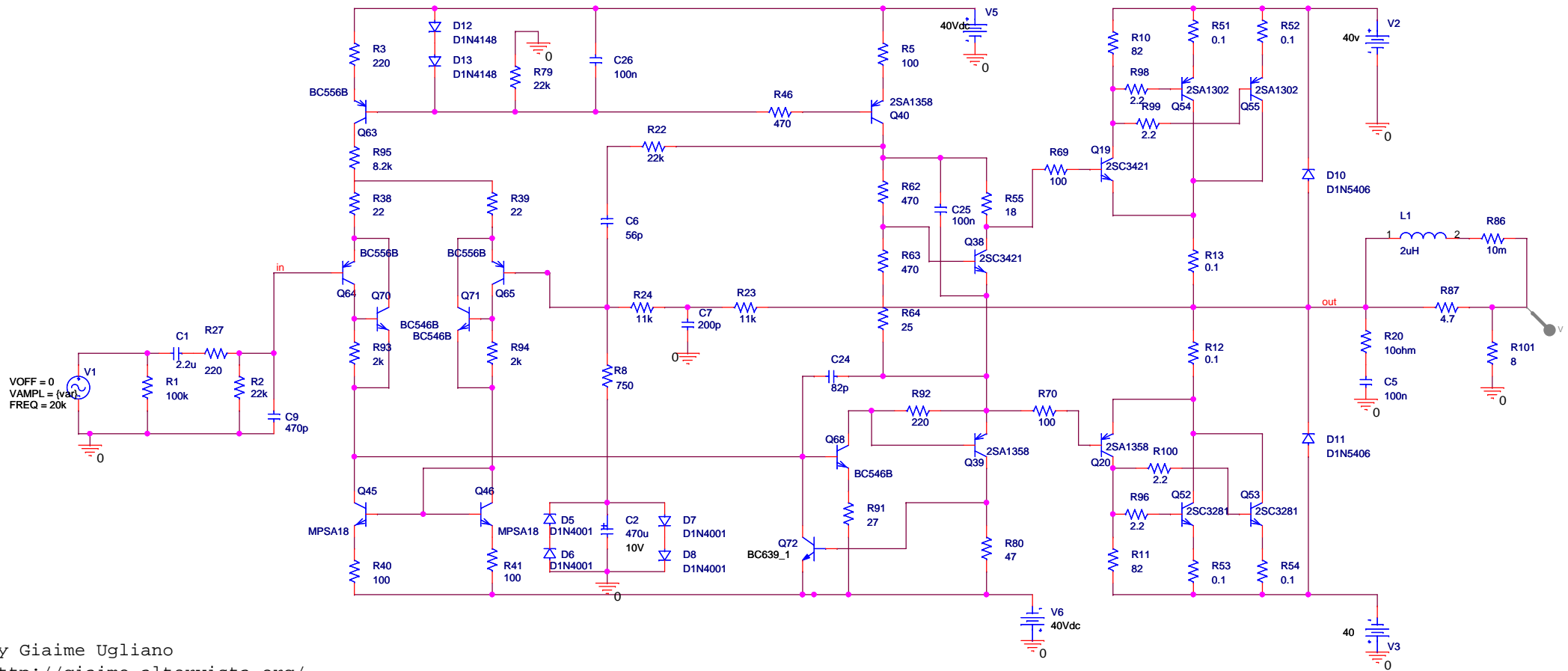


PARAMETERS:

V_{OFF} = 0
 V_{AMPL} = (v_{ac})
 FREQ = 20k



By Giaime Ugliano
<http://giaime.altervista.org/>
 For strictly non commercial use.
 THD @ 20kHz vs. V_{in}, 8r load: 7.81E-3 @ 0.14V_{pk},
 9.05E-3 @ 0.3V_{pk}, 9.30E-3 @ 0.7V_{pk}, 9.23E-3 @ 1V_{pk},
 4.68E-1 @ 1.3V_{pk} (clip)

Title		
Giaime's Amplifier		
Size	Document Number	Rev
Custom		
Date:	Saturday, September 01, 2007	Sheet 1 of 1