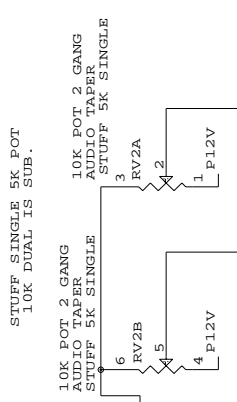
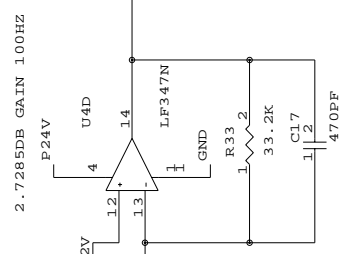
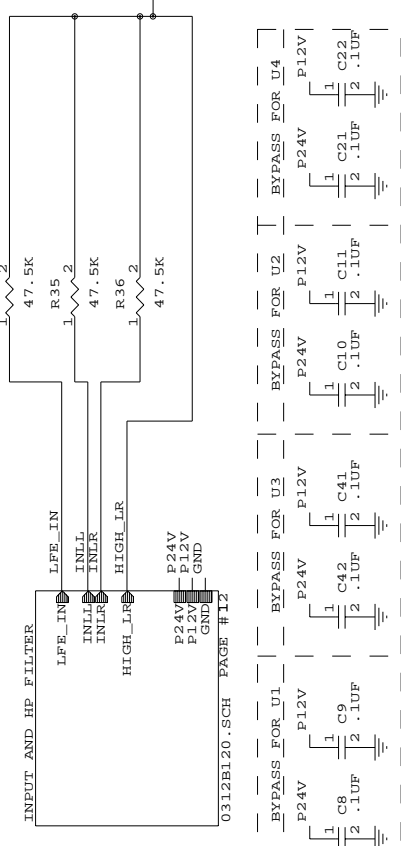
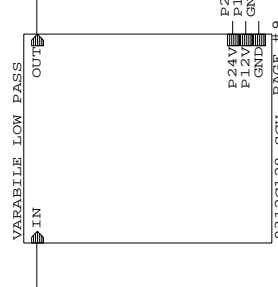


REV. HISTORY  
0312K120.SCH  
PAGE # 2

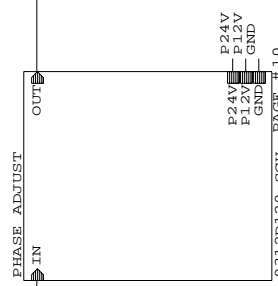
LOW AND HIGH LEVEL INPUTS  
LOW LEVEL OUTPUTS



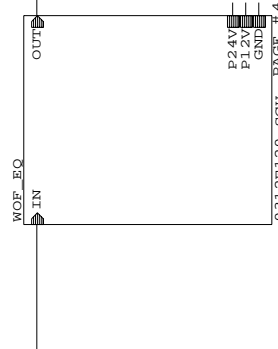
WOOFER 50 TO 150HZ LOW PASS FILTER



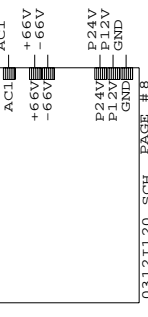
PHASE ADJUST



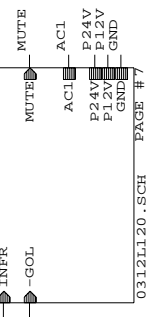
WOOFER FREQ. EQ CIRCUIT



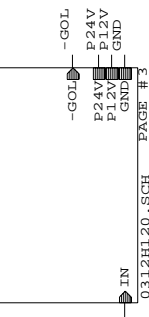
POWER SUPPLY



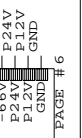
AUTO TURNON AND MUTE



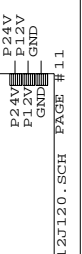
OVER LOAD MUTE



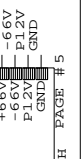
LIMITER



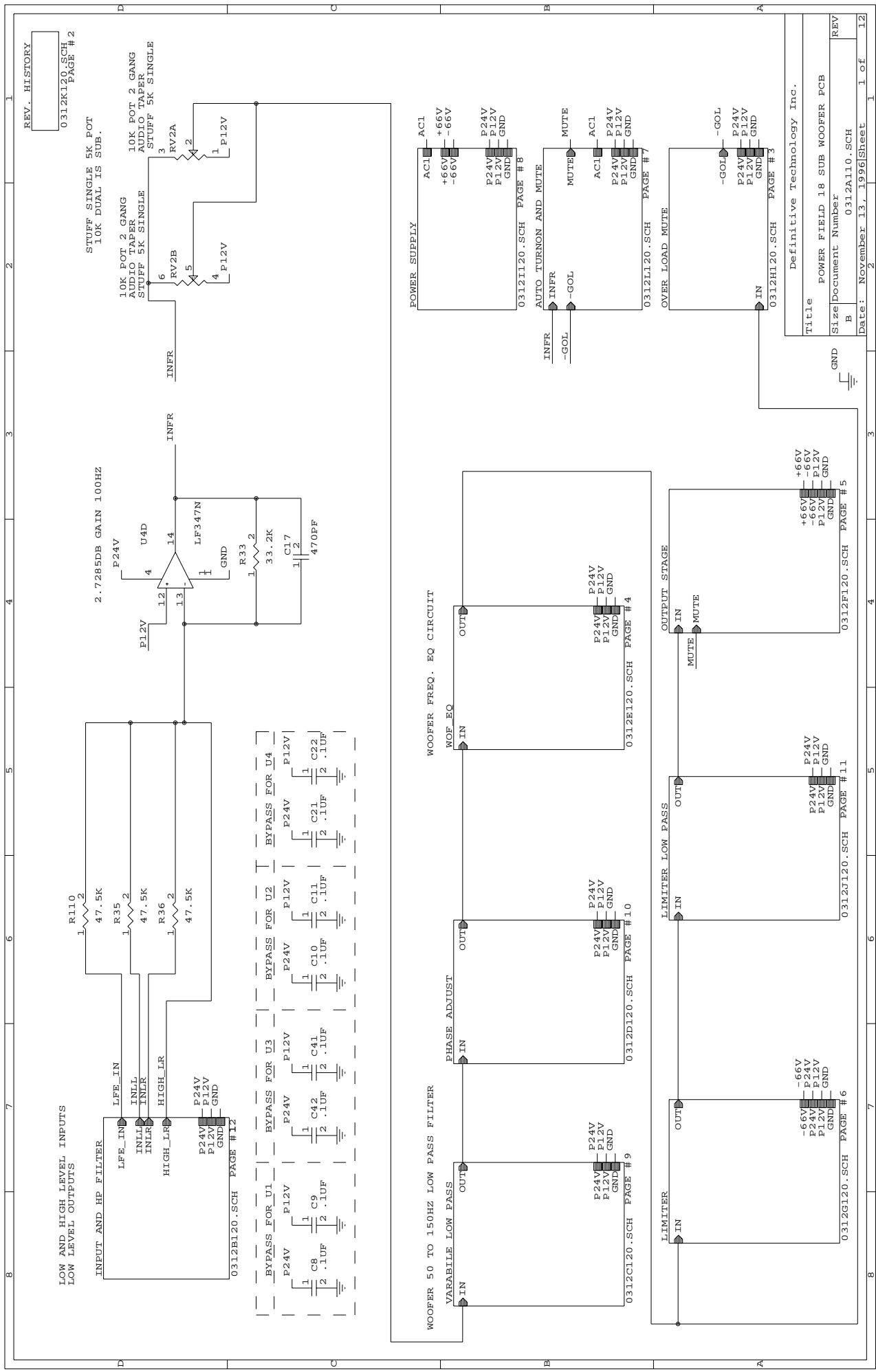
LIMITER LOW PASS



OUTPUT STAGE

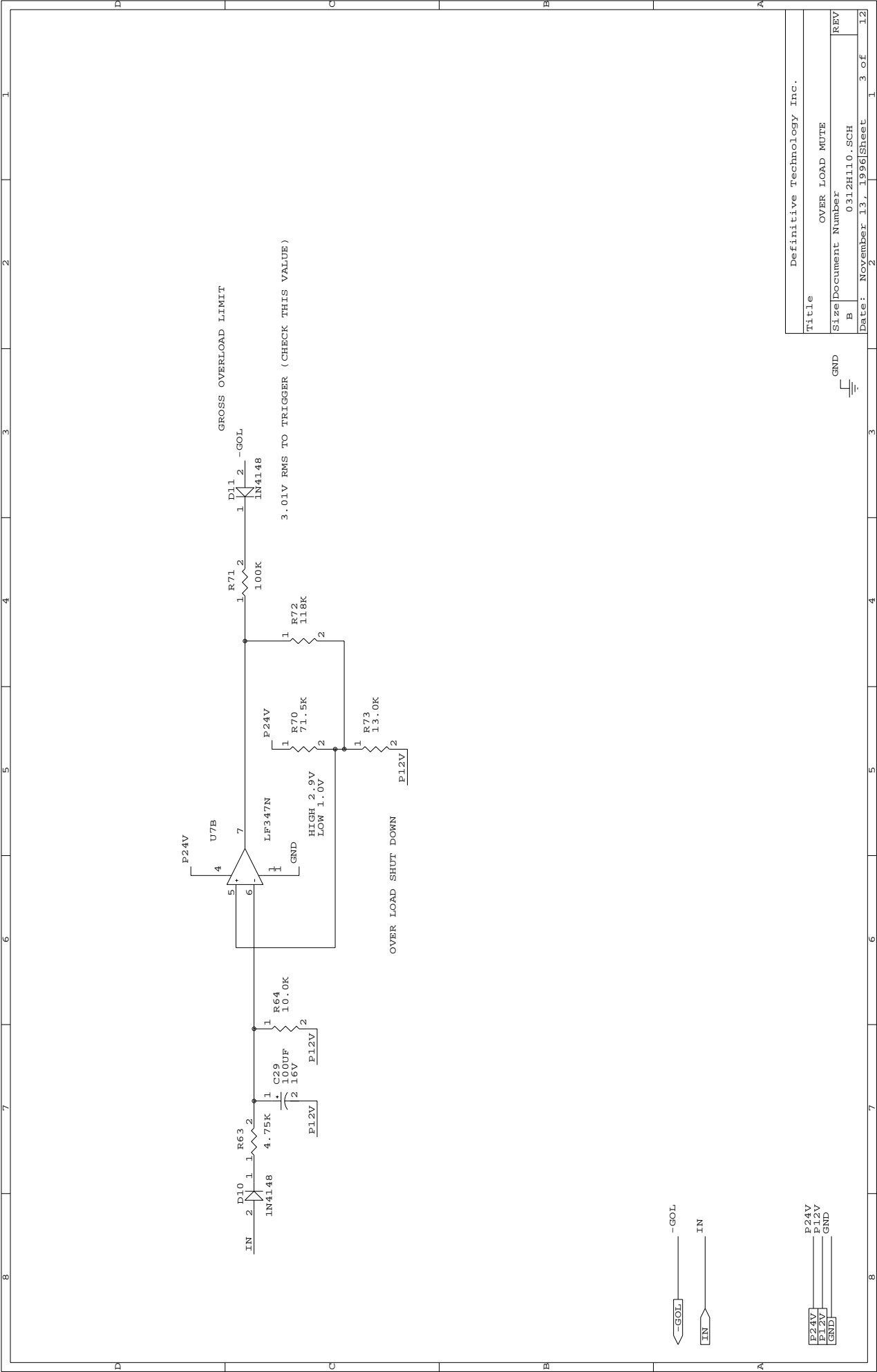


POWER FIELD 18 SUB WOOFER PCB



CHANGE DATE	PART NUMBER	CHANGE MADE	REASON FOR CHANGE
JULY 2, 1995	0059A120	ADD_R119, CHANGE VALUE OF_R68 TO_47.5K	REDUCE MUTE_IDLE_CURRENT

Title	
REV. HISTORY	REV. HISTORY
Size	B
Date:	August 7, 1996
Sheet	2 of 12

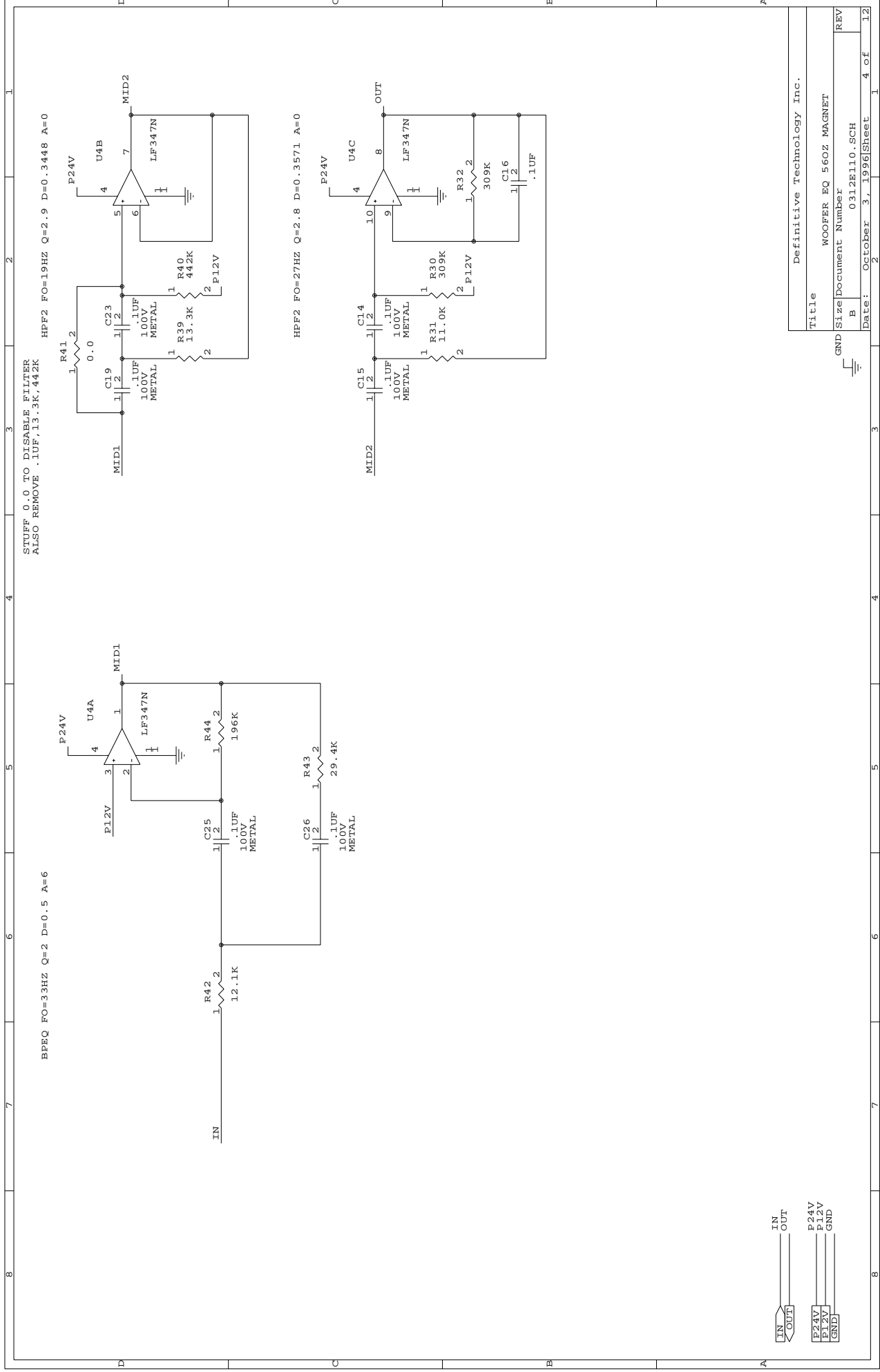


Definitive Technology Inc.

OVER LOAD MUTE

0312H110.SCH

Sheet 3 of 12

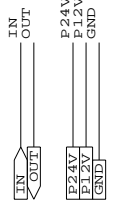


STUFF 0.0 TO DISABLE FILTER  
ALSO REMOVE .1UF,13.3K,442K

HFF2 FO=19HZ Q=2.9 D=0.3448 A=0

BPEQ FO=33HZ Q=2 D=0.5 A=6

HFF2 FO=27HZ Q=2.8 D=0.3571 A=0

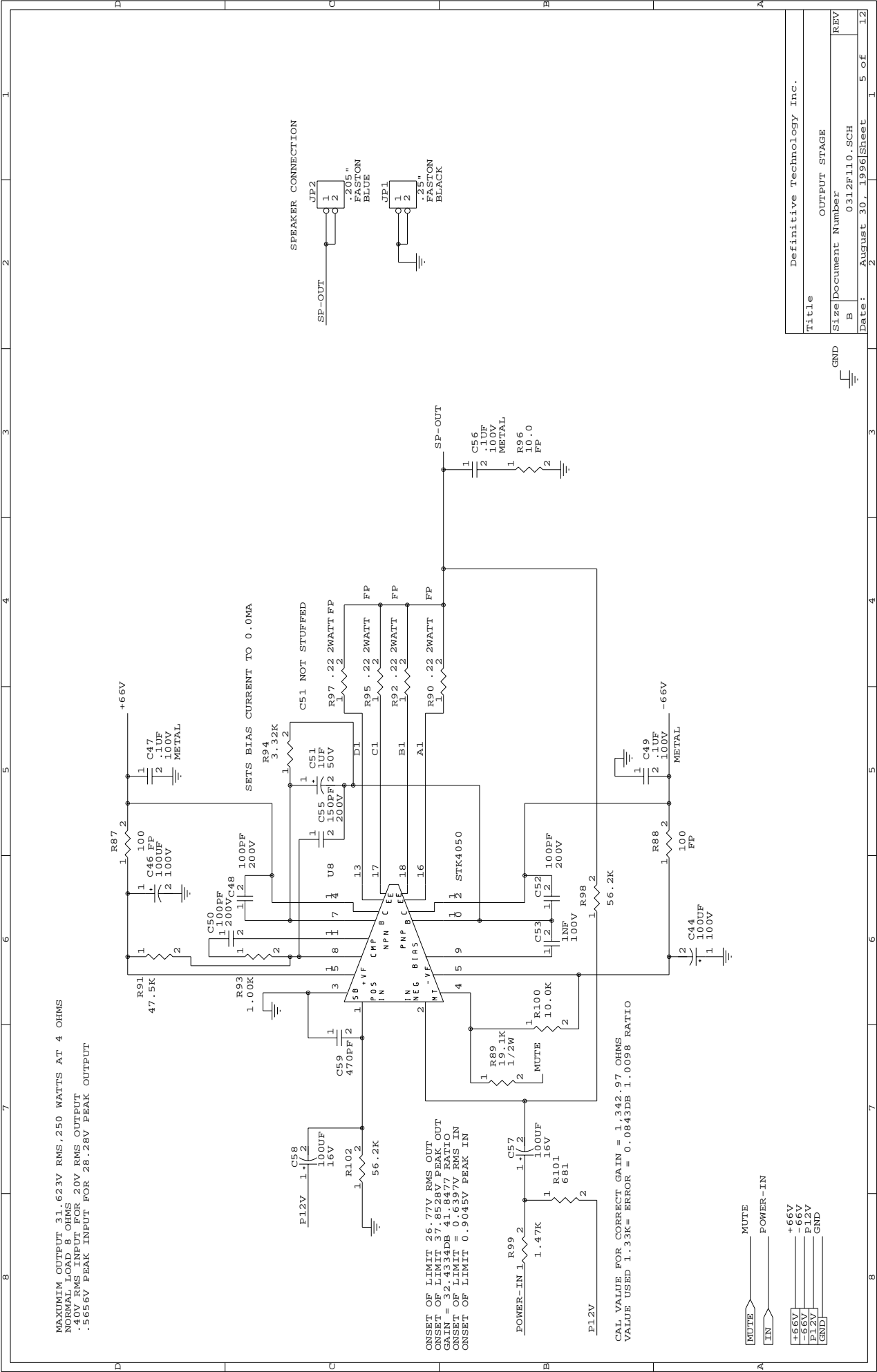


Definitive Technology Inc.

Title	
WOOFER EQ 560Z MAGNET	
B	Document Number
0312E110.SCH	
Date: October 3, 1996	
Sheet 4	of 12

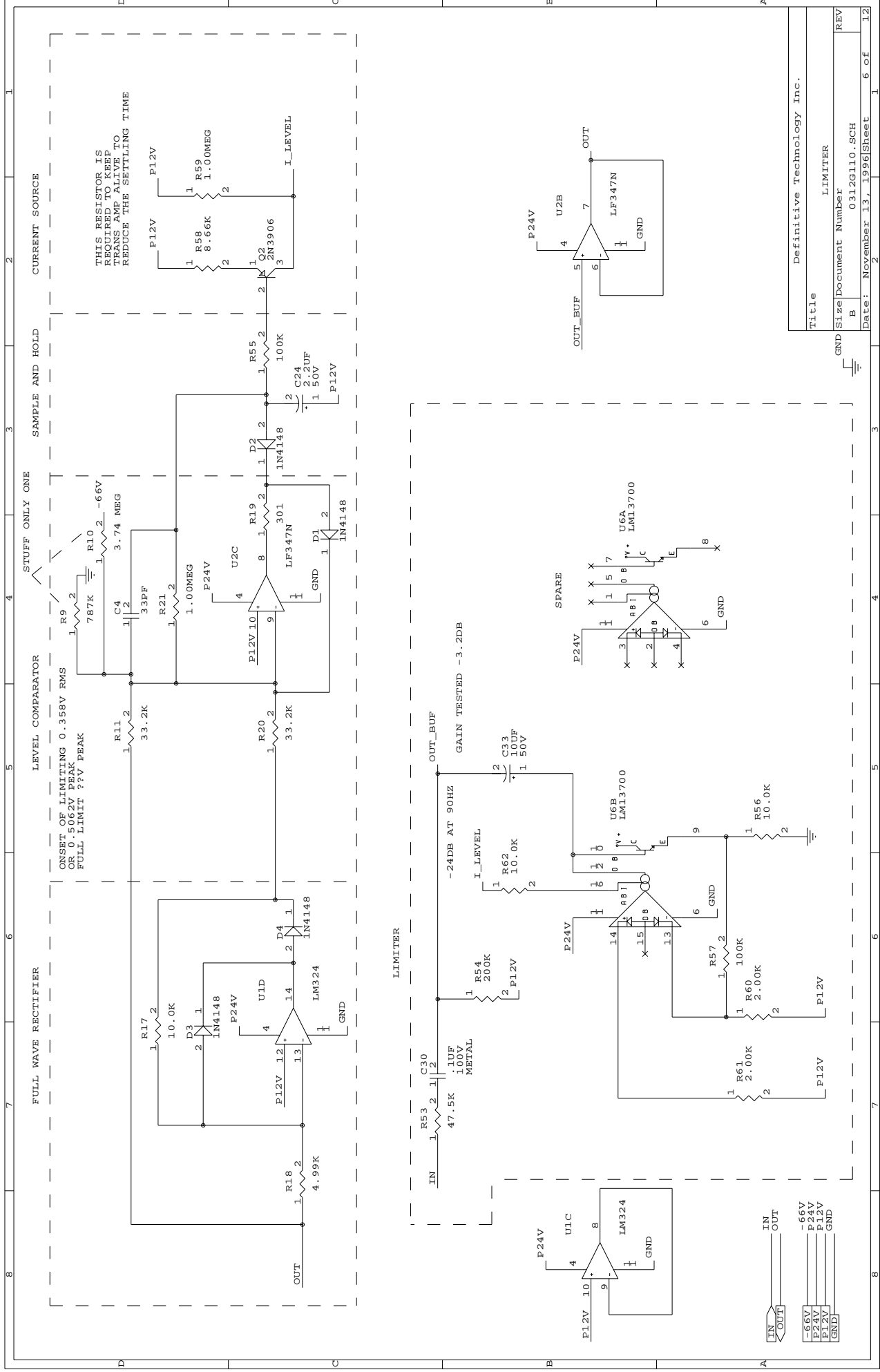


GND



MUTE POWER-IN  
 +66V  
 -66V  
 P12V  
 GND

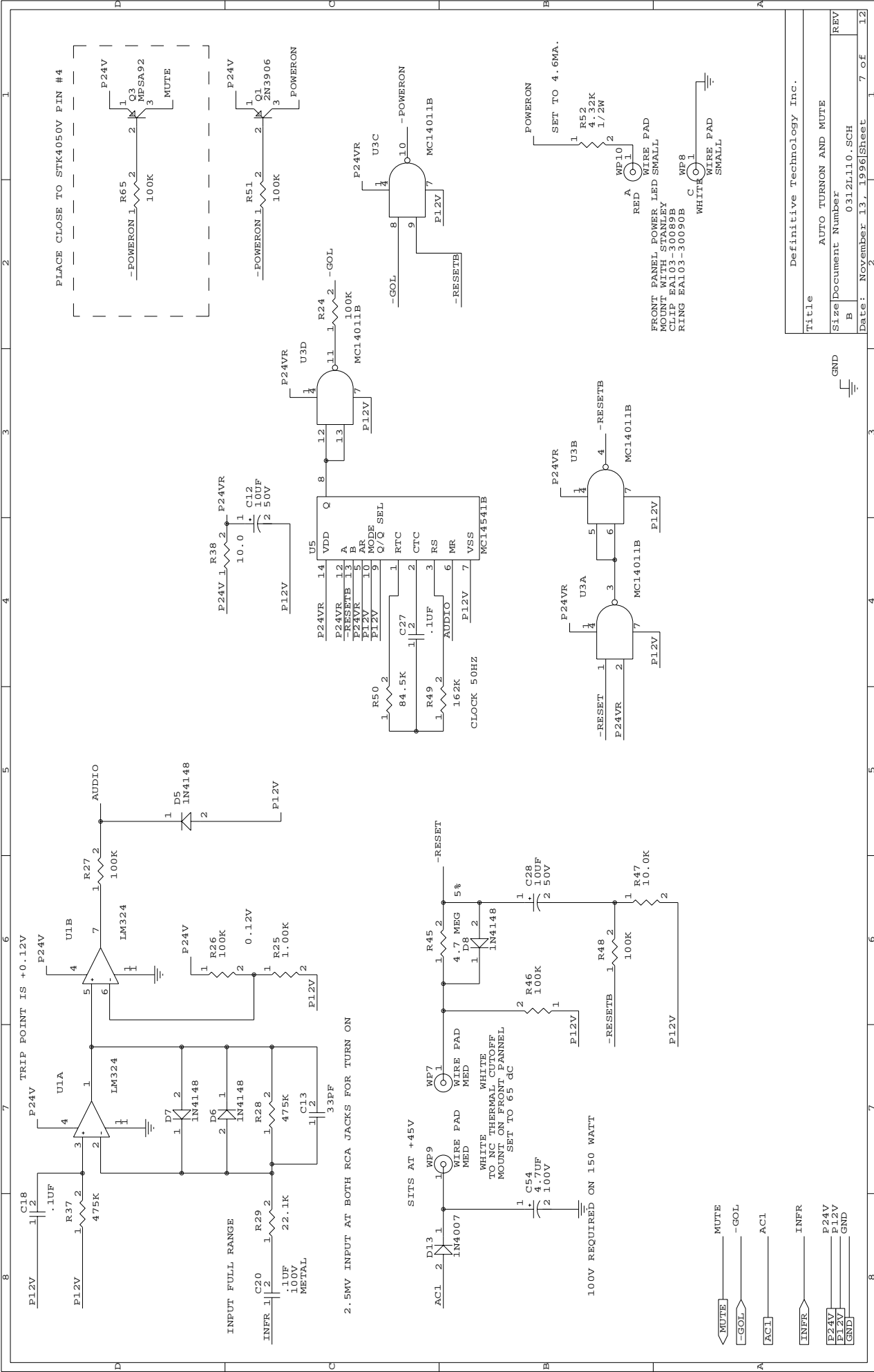




Title		Definitive Technology Inc.
B		LIMITER
Document Number		0312G110.SCH
REV		6 of 12
Date		November 13, 1996

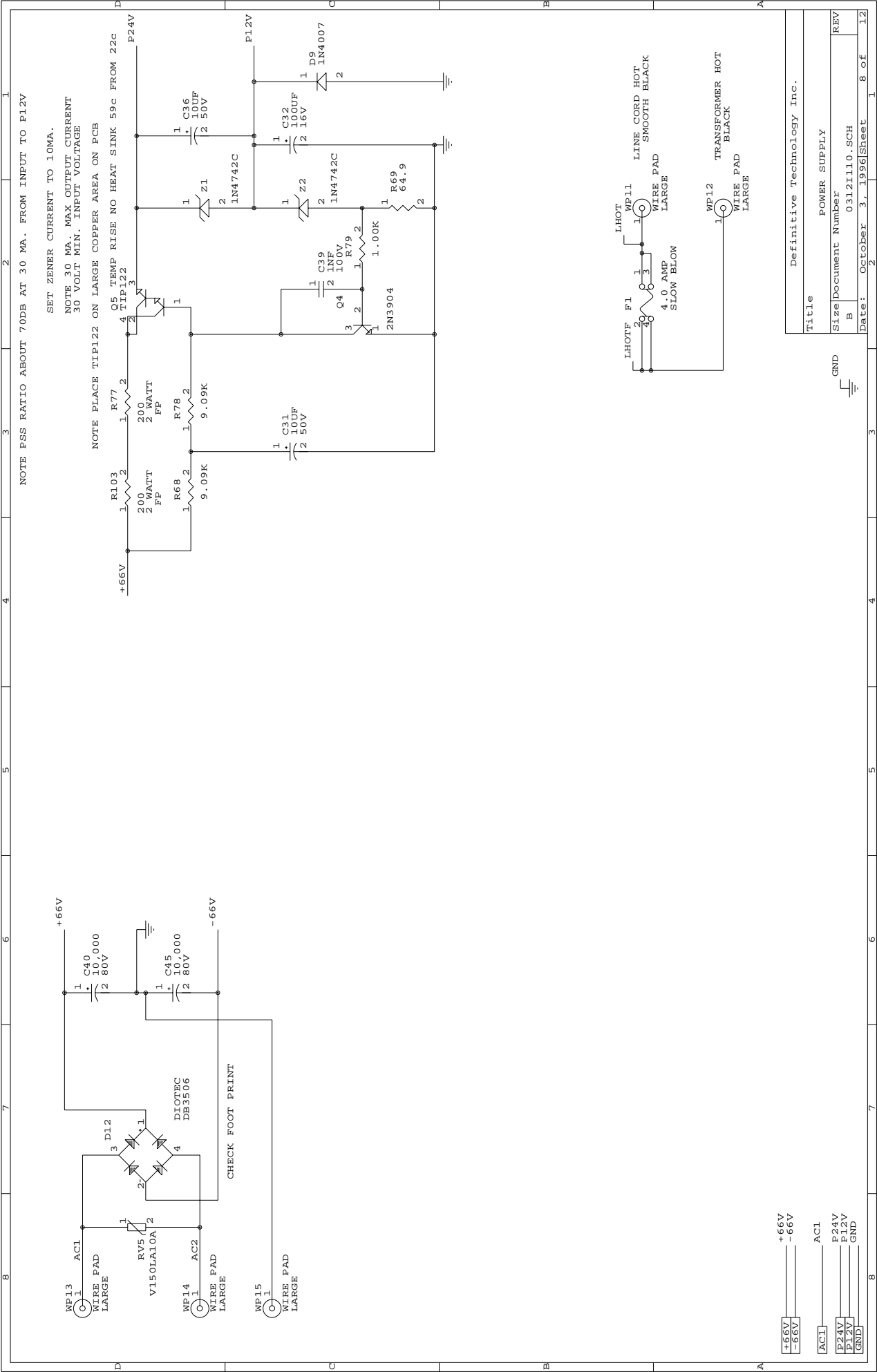
GND Size Document Number

6 of 12



Title		Definitive Technology Inc.
Size		AUTO TURNON AND MUTE
Document Number		B 0312J10.SCH
Date:	November 13, 1996	Sheet 7 of 12





+66V	+66V
-66V	-66V
AC1	AC1
P24V	P24V
F12V	F12V
GND	GND

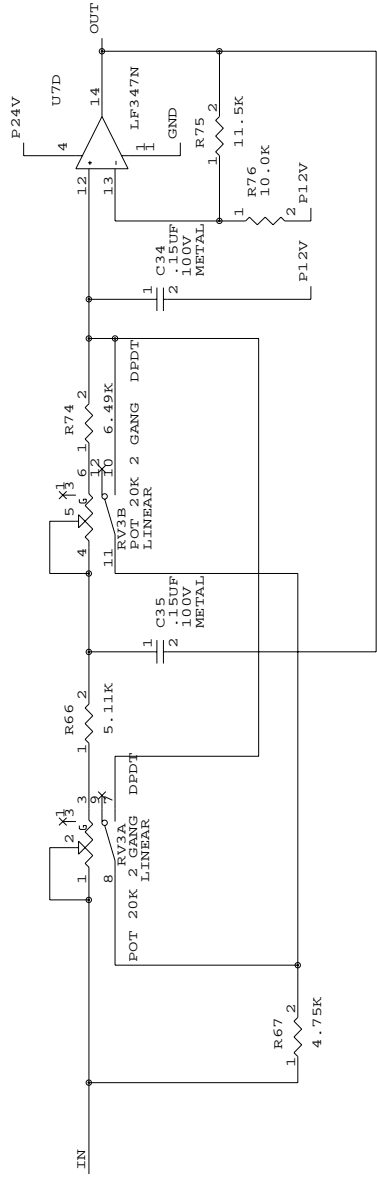
Title		POWER SUPPLY
Size	Document Number	0312110.SCH
Date:	October 3, 1996	Sheet 8 of 12



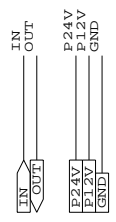
GND



$f_0=50$  TO  $150\text{HZ}$   $Q=.784$   $D=1.2755$   $A=4.77\text{DB}$   
 NOTE: STANDARD VALUES OF  $100\text{NF}$  WAS USED INSTEAD OF  $106.15\text{NF}$   
 $50\text{HZ}$  TO  $160\text{HZ}$  ON UNIT

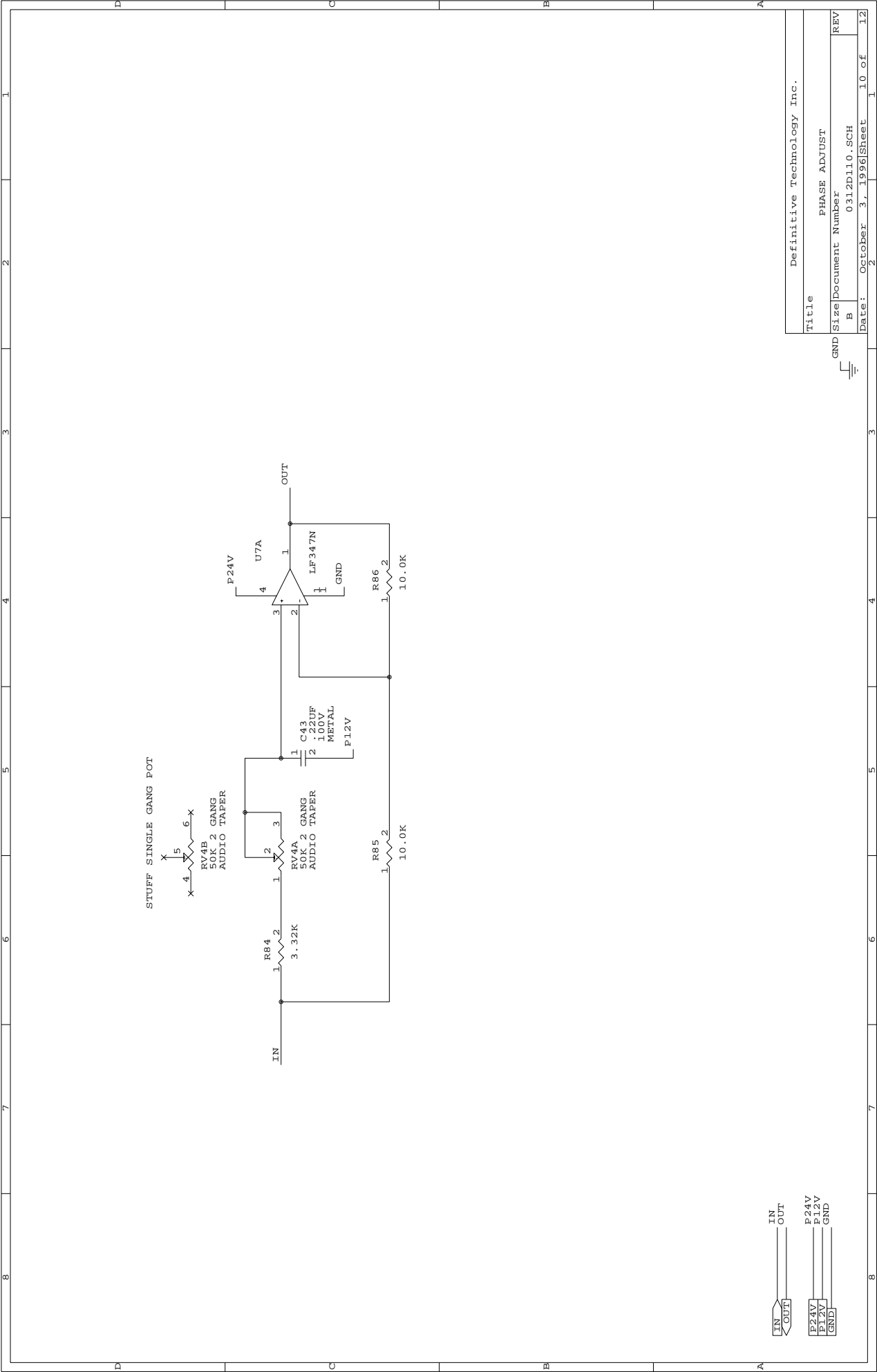


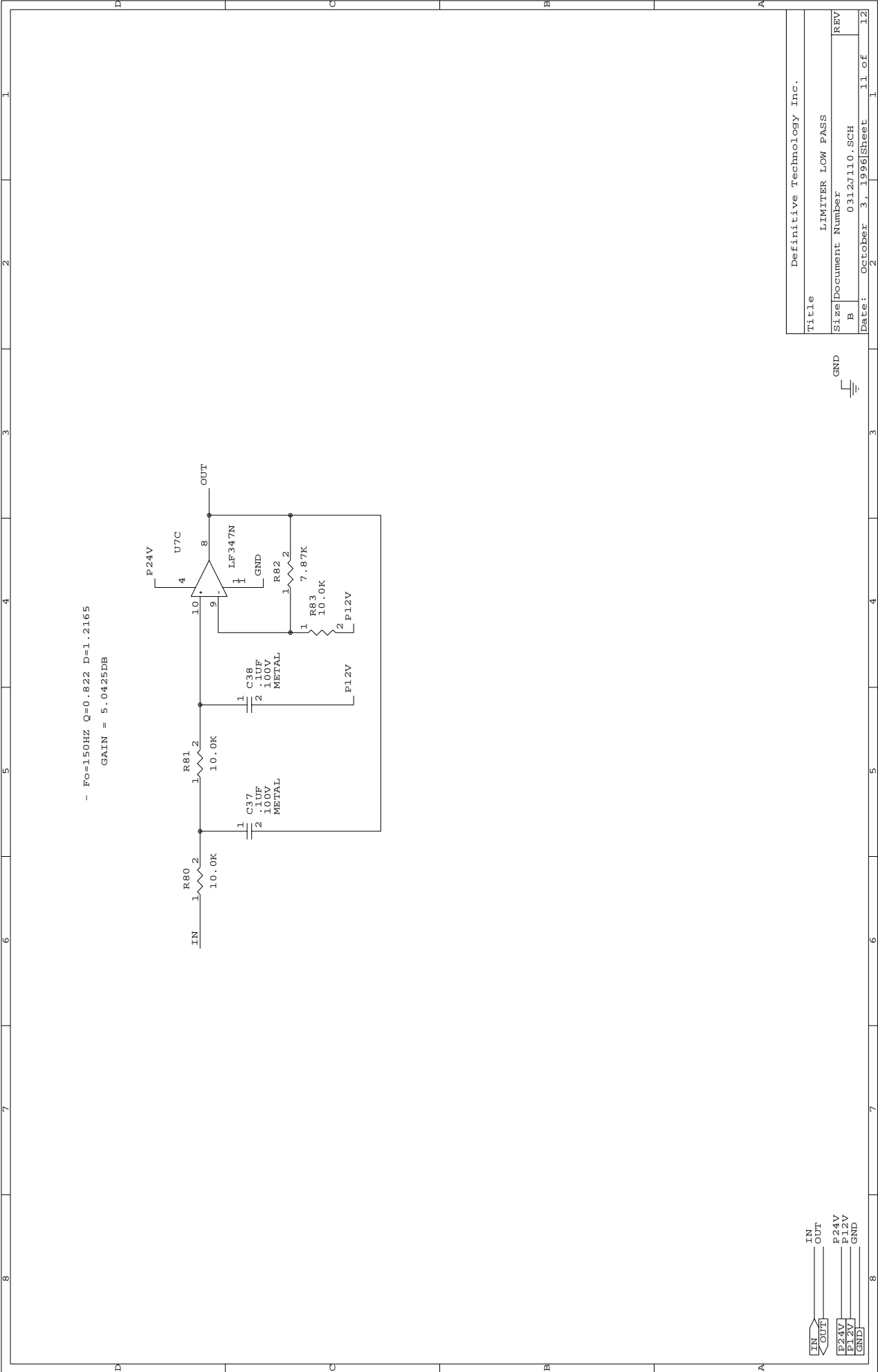
CONNECT 1-2 AND 3-4 FOR NORMAL  
 OTHER IS FOR AC-3



Title		Definitive Technology Inc.
Size		VARIBALE LOW PASS
Document Number		B
Date		October 3, 1996
Sheet		9 of 12
REV		12







Title		Definitive Technology Inc.
Size		LIMITER LOW PASS
Document Number		0312J110.SCH
Date		October 3, 1996
Sheet		11 of 12
REV		1

