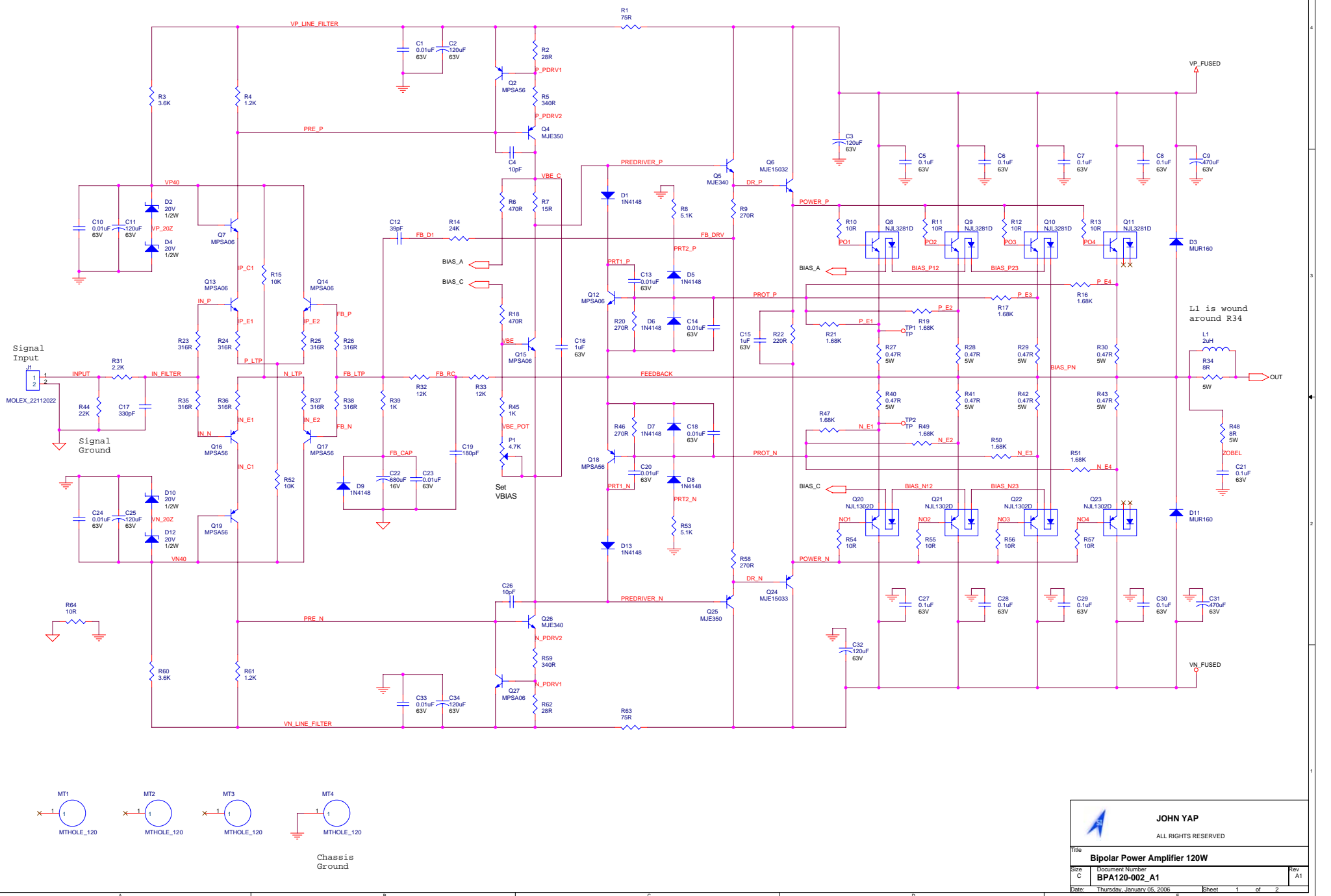


Note:
All resistors 0.6W, 1% unless specified

REV		DESCRIPTION	DATE	APPROVED
A1	FIRST RELEASE		09/15/05	

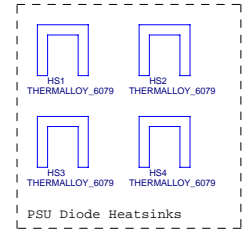
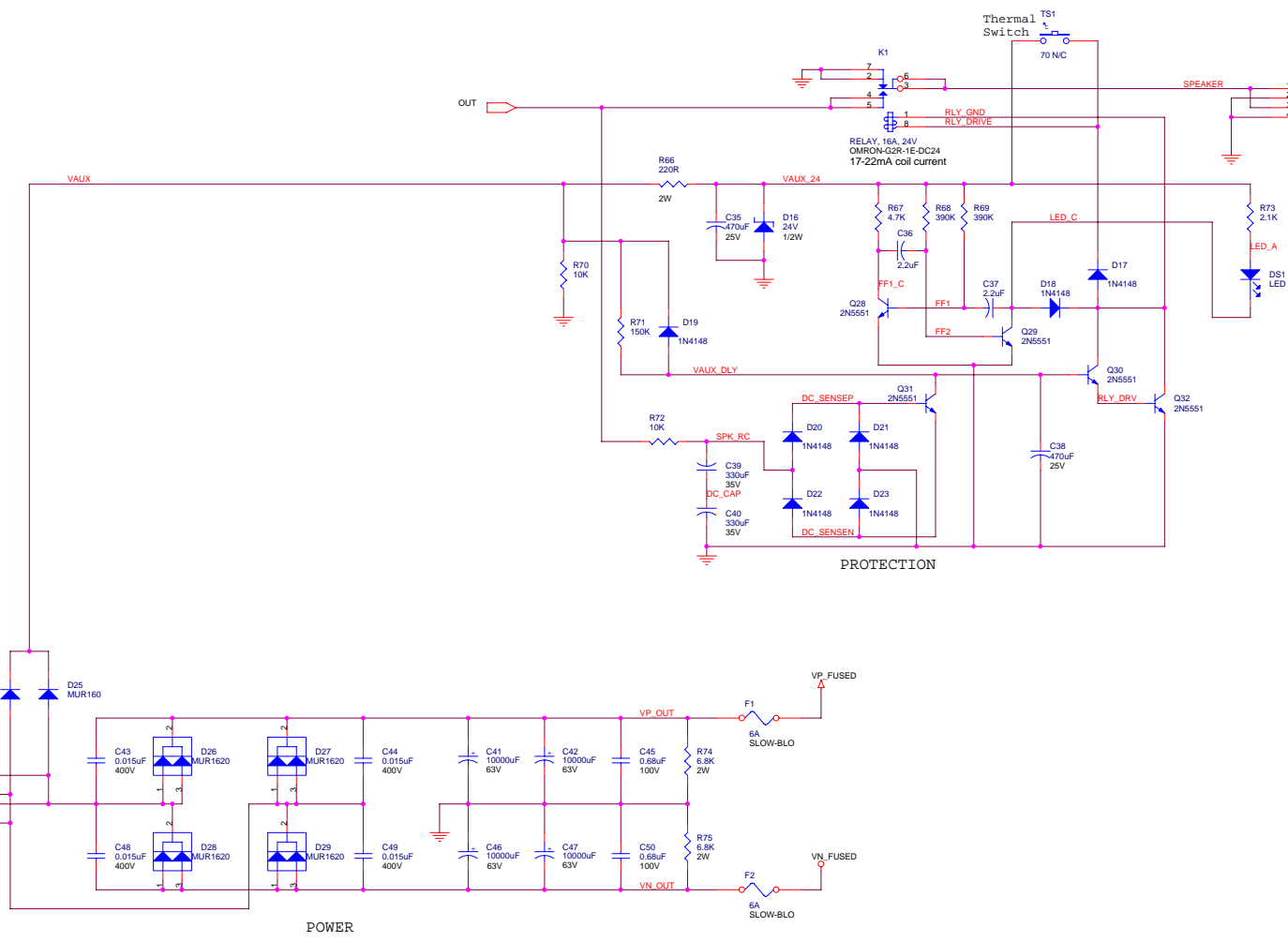


JOHN YAP
ALL RIGHTS RESERVED

Title		Bipolar Power Amplifier 120W	
Size	Document Number	BPA120-002_A1	
C	Date	Thursday, January 05, 2006	Sheet 1 of 2
	Rev	A1	

AC1	AC2	AC2
1	2	3
4	5	6
AC1	GND	AC2

MOLEX_39310068
 TRANSFORMER:
 40V X 2 @ 400VA



Amplified VBE Bias Generator Notes:

With 4 diodes, Rbias = Max,
 Re=0.47R Ra = 1K+1K, Rb =1K,
 Vq=2.84mV, Iq=6mA, Vbias=2.482V

With 4 diodes, Rbias = Min,
 Re=0.47R Ra = 1K+1K, Rb =1K,
 Vq=360.23mV, Iq=385mA, Vbias=3.801V

With 6 diodes, Rbias = Max,
 Re=0.47R Ra = 470X2, Rb =2.2K,
 Vq=3.72mV, Iq=4mA, Vbias=3.094V

With 6 diodes, Rbias = Min,
 Re=0.47R Ra = 470X2, Rb =2.2K,
 Vq=195mV, Iq=207mA, Vbias=3.568V

Optimum Rbias = 1.5K

Specs:
 Output power: 120W into 8R
 Output power: 240W into 4R
 2V input for max output

Associated Mechanicals:			
Description	Qty	Vendor	Manufacturer Part Number
HEATSINK, TO-220, 19.05H X 13.21W X 12.7D	4	Thermalloy	6079

JOHN YAP

File: **Bipolar Power Amplifier**

Size: Document Number: **BPA120-002_A1** Rev: A1

Date: Thursday, January 05, 2006 Sheet 2 of 2