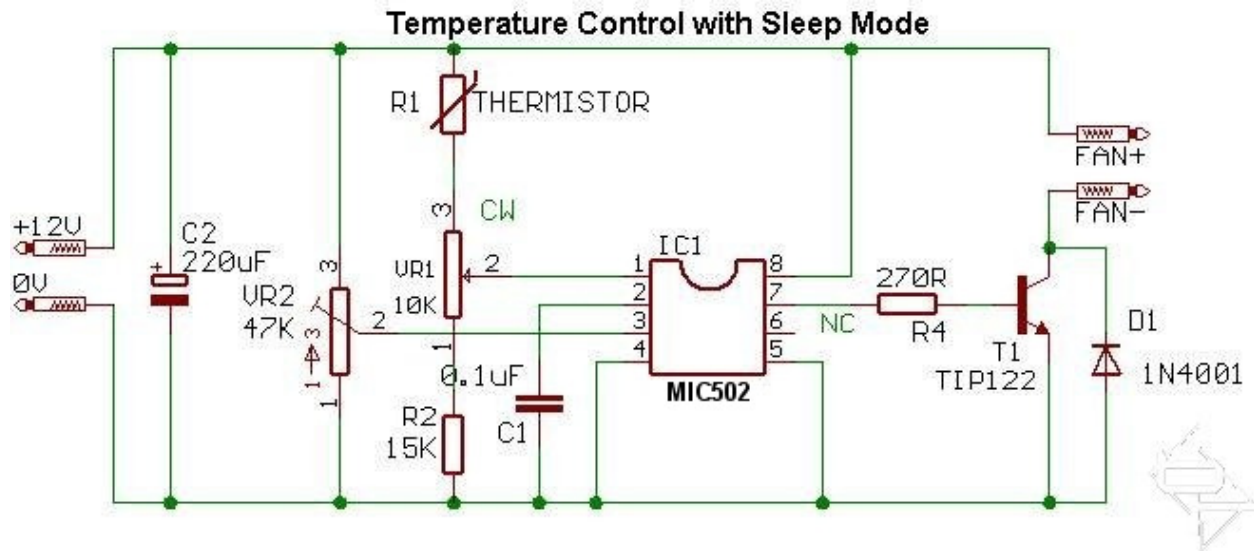


## Temperature Control



Here the resistor R1 is a NTC 10K thermistor to give temperature control. The fan speed is set by VR1 and as the temperature rises, so the fan speed will increase to compensate.

We also have a "sleep" setting. The idea is to turn the fan off when the temperature falls below the value set by VR2.