

## Elenco componenti

R1 = 200Ω/5W

R2 = 10Ω

R3 = R5 = 47kΩ

R4 = R6 = 4,7kΩ

R7 = R8 = 22kΩ

R9 = 470Ω

R10 = 1kΩ

R11 = 22,2kΩ

R12 = R13 = 9,1kΩ

R14 = R15 = 100Ω

R16+R21 = 1,58kΩ

R22 = R23 = 100Ω

R24 = R25 = 3,39kΩ

R26 = R27 = 101Ω

R28 = ???

R29 = 820Ω

R30 = R31 = 25Ω

R32+R35 = 0,5Ω

R36 = 10Ω

P1 = P2 = 5kΩ

C1 = C2 = 40000μF

C3 = 0,1μF

C4 = C5 = 1000μF

C6 = C7 = 390pF

C8 = ???

C9 = 0,1μF

D1+D4 = ???

D5 = D6 = ???

D7 = D8 = ???

Dz1 = Dz2 = ZD9841

TR1+TR4 =

TR5 = C2238

TR6 = A968

TR7 = C2238

TR8 = A968

TR9 = TR10 = MFJ15030

TR11 = MFJ15031

TR12=TR14 = KRELL A

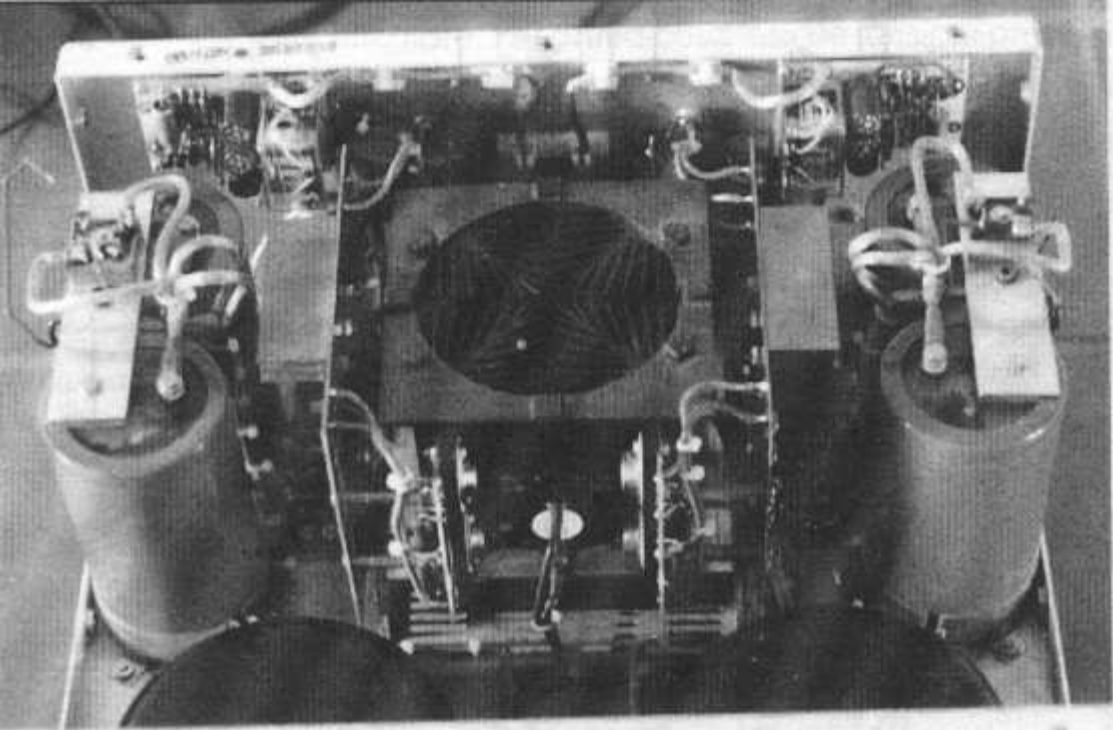
(BDW51C)

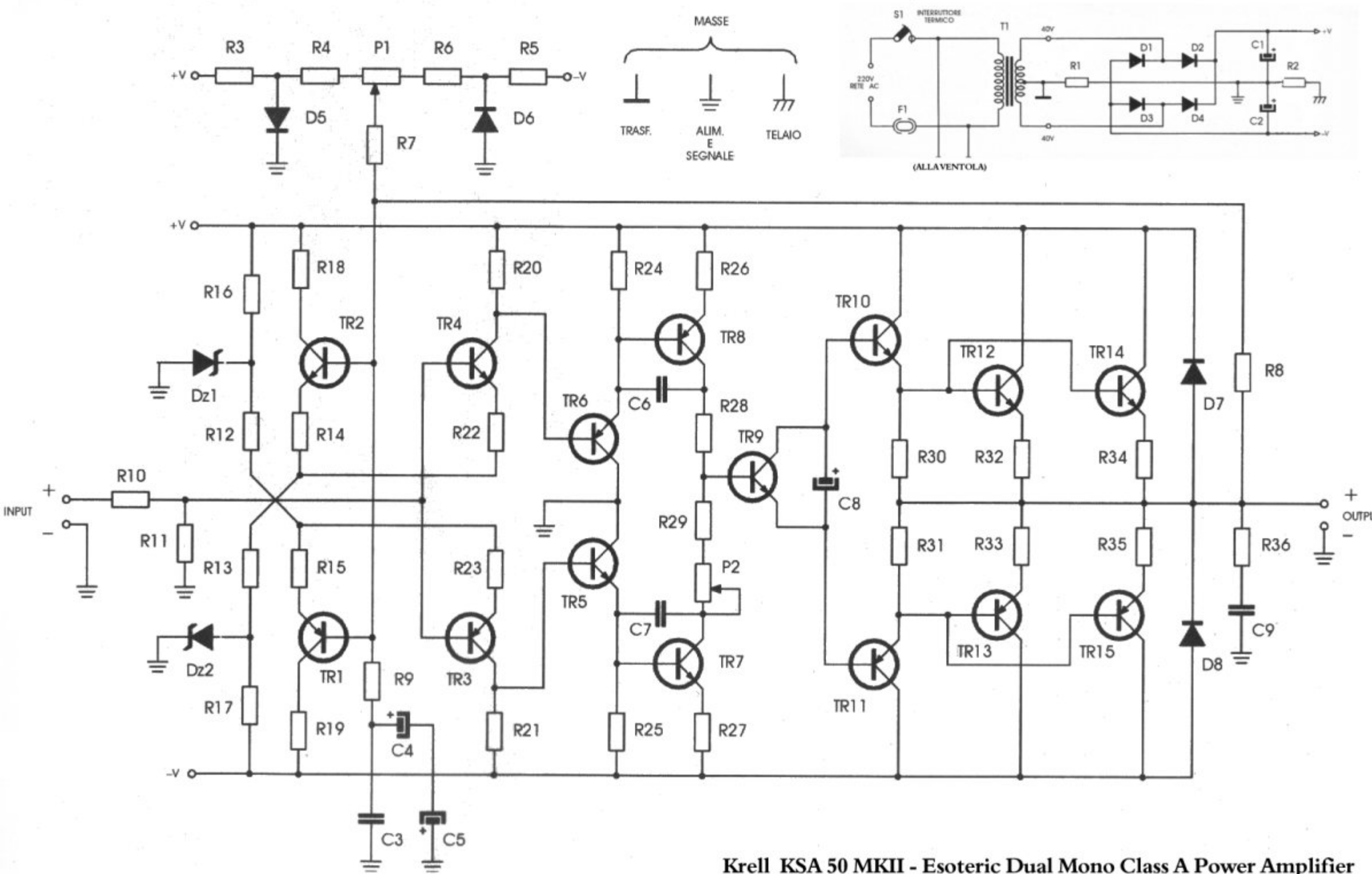
TR15 = KRELL B (BDW52C)

S1 = interruttore termico

F1 = fusibile

TR13 =





Krell KSA 50 MKII - Esoteric Dual Mono Class A Power Amplifier

