

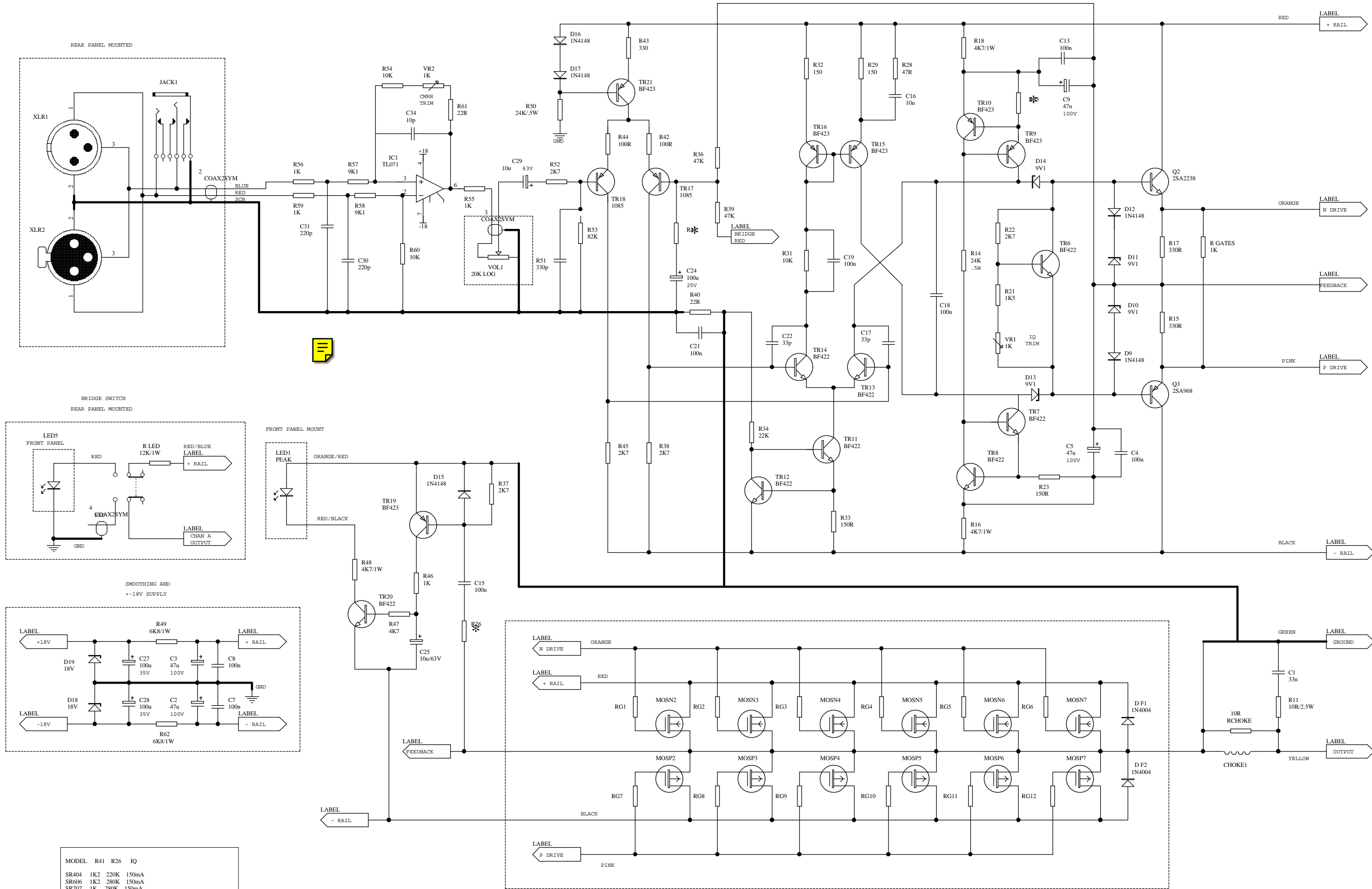
MODEL	R41	R26	IQ
SR404	1K2	220K	150mA
SR606	1K2	280K	150mA
SR707	1K	280K	150mA

RG1 TO RG12 = 560R

MOUNTED ON HEATSINK

DIAGRAM SHOWS SR404 OUTPUT STAGE. SR606 AND SR707 OUTPUT STAGES DIFFER IN THE NUMBER OF OUTPUT DEVICES PER RAIL. THE SR606 AND SR707 USE 8 DEVICES PER RAIL. ADDITIONAL DEVICES ARE CONFIGURED SIMILARLY WITH 560R GATE RESISTORS AS SHOWN.

Title		
SR DRIVER A		
Size	Number	Revision
A2	SRDRVR1	2
Date:	1-Jul-1999	Sheet of 3 3
File:	D:\PROTEL\SR\SRDRVRA.SCH	Drawn By: L. BASHAM



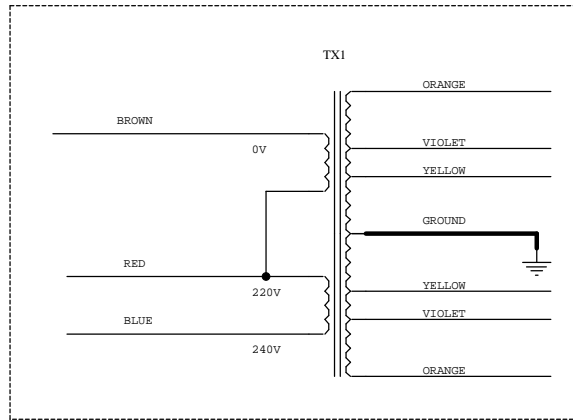
MODEL	R41	R26	IQ
SR404	1K2	220K	150mA
SR606	1K2	280K	150mA
SR707	1K	280K	150mA

DIAGRAM SHOWS SR404 OUTPUT STAGE. SR606 AND SR707 OUTPUT STAGES DIFFER IN THE NUMBER OF OUTPUT DEVICES PER RAIL. THE SR606 AND SR707 USE 8 DEVICES PER RAIL. ADDITIONAL DEVICES ARE CONFIGURED SIMILARLY WITH 560R GATE RESISTORS AS SHOWN.

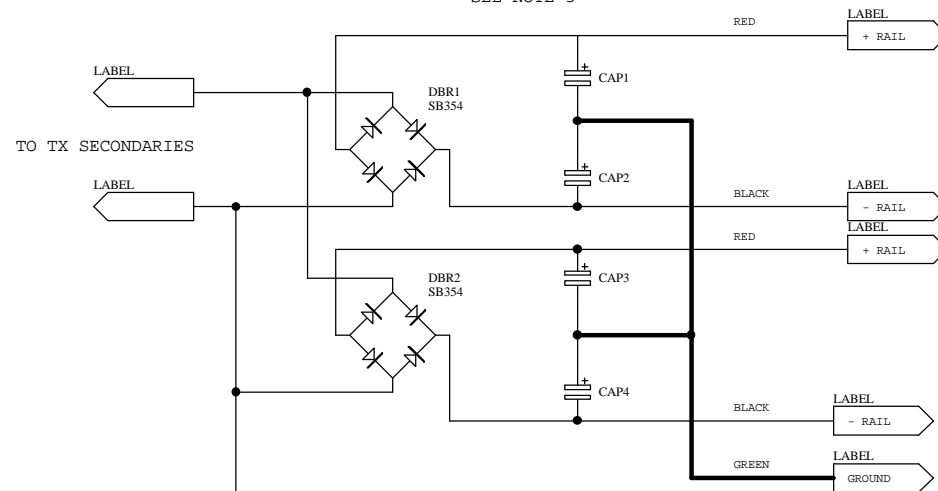
Title		
SR DRIVER B		
Size	Number	Revision
A2	SRDRVR2	2
Date:	1-Jul-1999	Sheet of 3 3
File:	D:\PROTEL\SR\SRDRVRB.SCH	Drawn By: L. BASHAM

TRANSFORMER SECONDARY TAPPINGS
AND VOLTAGES AC (RMS) OFF LOAD

SR404	YELLOW	53V
SR606	VIOLET	64V
SR707	ORANGE	72V



FOR CAPACITOR VALUES
SEE NOTE 3



DC RAIL VOLTAGES

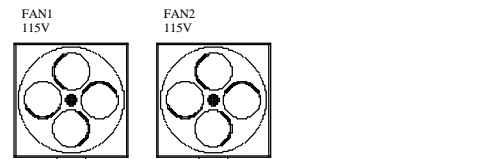
SR404	+75V
SR606	+90V
SR707	+100V

NOTE 1 NOTE 2 NOTE 3

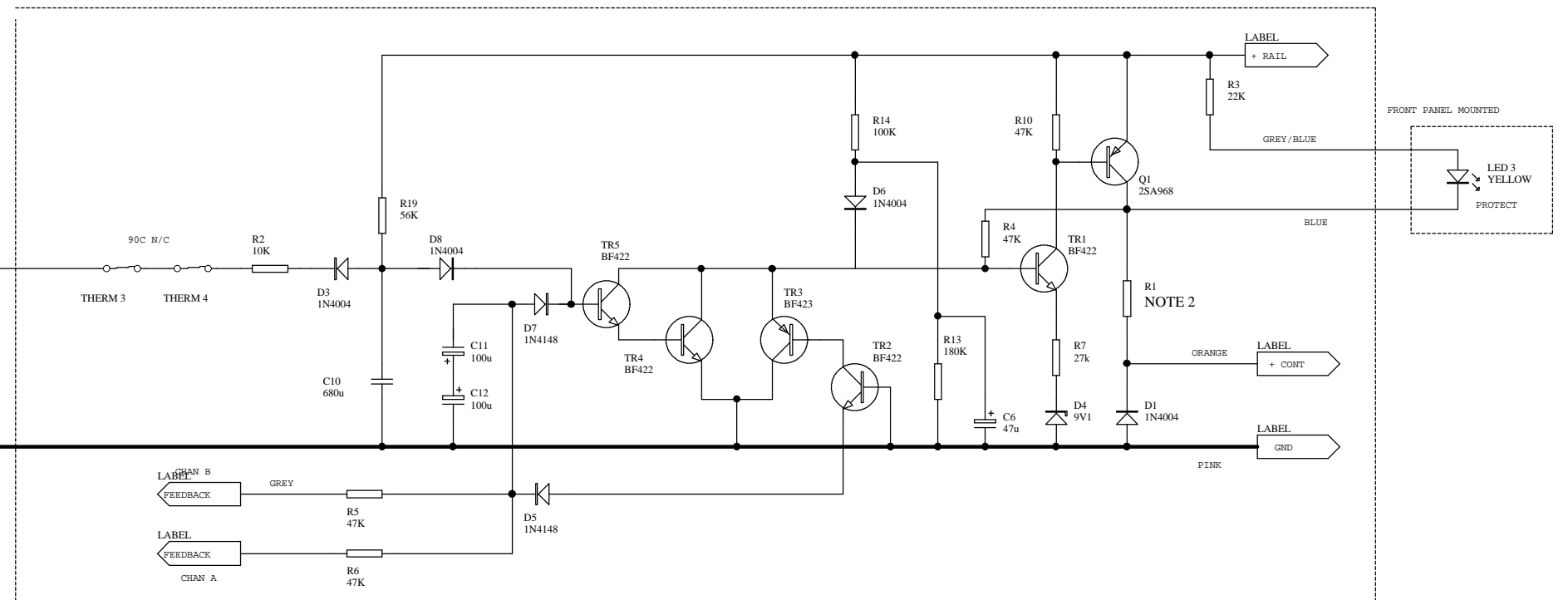
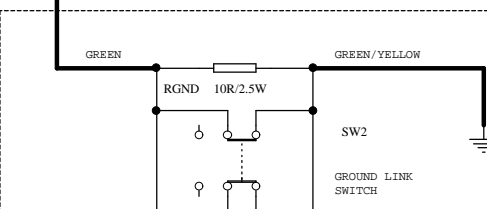
CAPACITOR VALUE RESISTOR VALUE CAPACITOR VALUE

SR404	1.47uF	LINK	12000uF
SR606	1uF	220R/1W	19000uF
SR707	1uF	470R/1W	19000uF

POWER SUPPLY



TWO SPEED FAN
COOLING

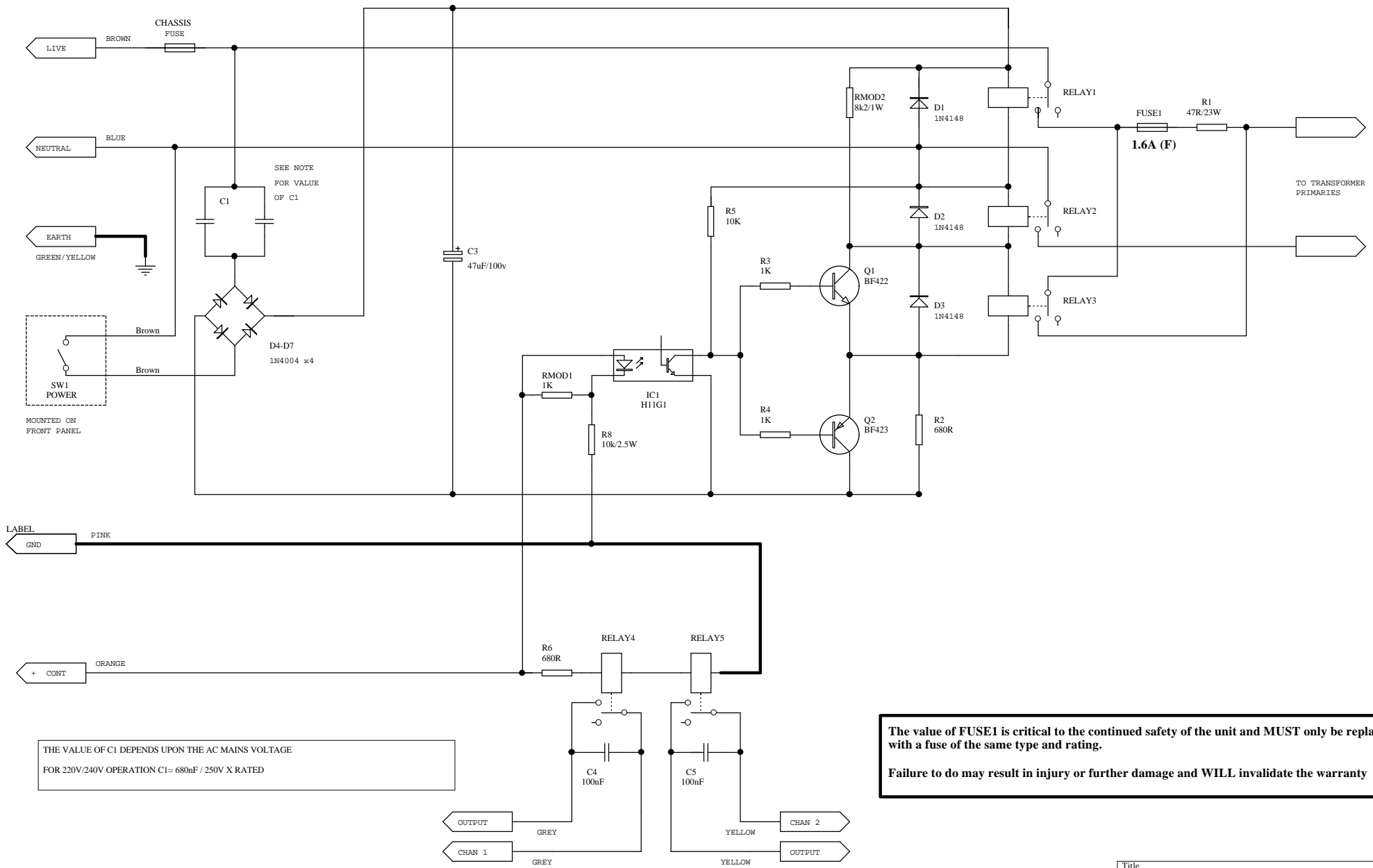


DC, HF AND OVERTEMP
PROTECTION

Title			
SR POWER/PROTECT/FAN			
Size	Number	SRPWR1	Revision
A2			2
Date:	1-Jul-1999	Sheet of	2 3
File:	D:\PROTEL\SR\SRPWR\SCH	Drawn By:	L. BASHAM

CHASSIS FUSE RATING

SR404 8AT 1.25"
 SR606 10AT 1.25"
 SR707 15AT 1.25"



THE VALUE OF C1 DEPENDS UPON THE AC MAINS VOLTAGE
 FOR 220V/240V OPERATION C1= 680nF / 250V X RATED

**The value of FUSE1 is critical to the continued safety of the unit and MUST only be replaced with a fuse of the same type and rating.
 Failure to do may result in injury or further damage and WILL invalidate the warranty**

Title		C-AUDIO SR SOFT START	
Size	Number	Revision	
A3	CA-PCBA002	2	
Date:	1-Jul-1999	Sheet of	1 1