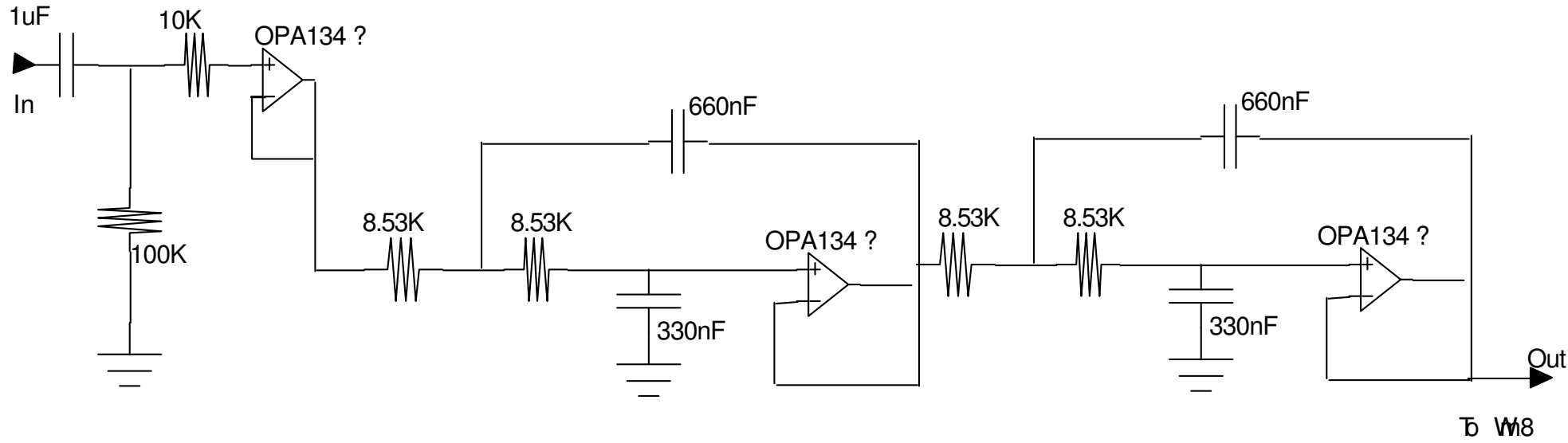
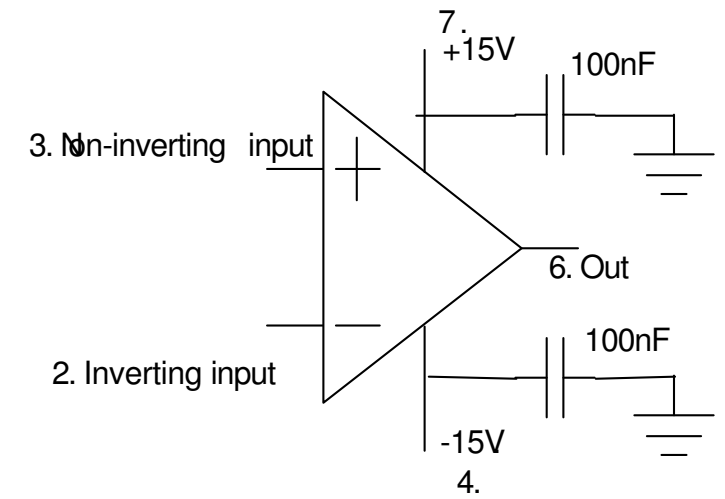


Input Buffer

40Hz 24db/8ve Linkwitz-Riley low pass filter  
From [sound.westhost.com/project09.htm](http://sound.westhost.com/project09.htm)

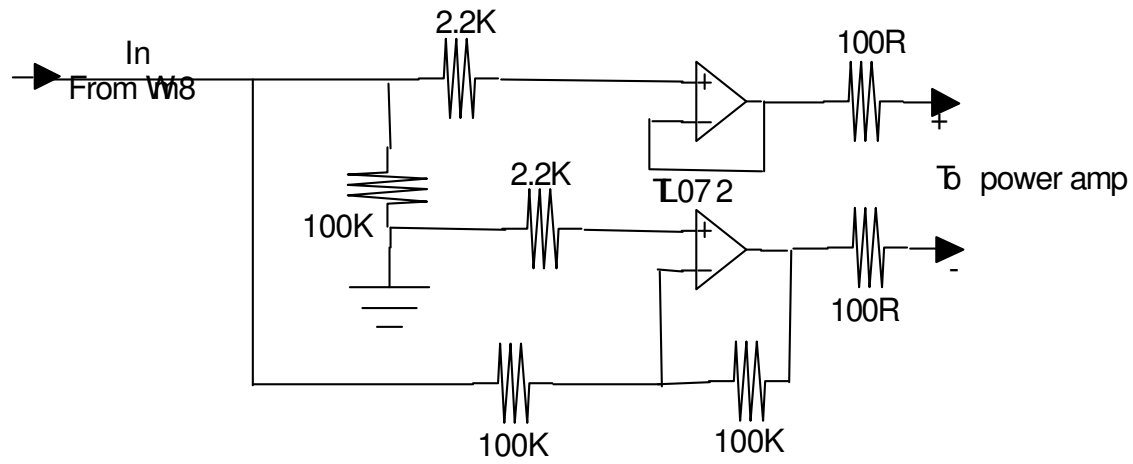


Op. detail



Binding adapter

From [sound.westhost.com/project14.htm](http://sound.westhost.com/project14.htm)  
Is this ok where no shield is present at the input?



+/-15V power supply extracted from  
+/- 50v power amp rails

