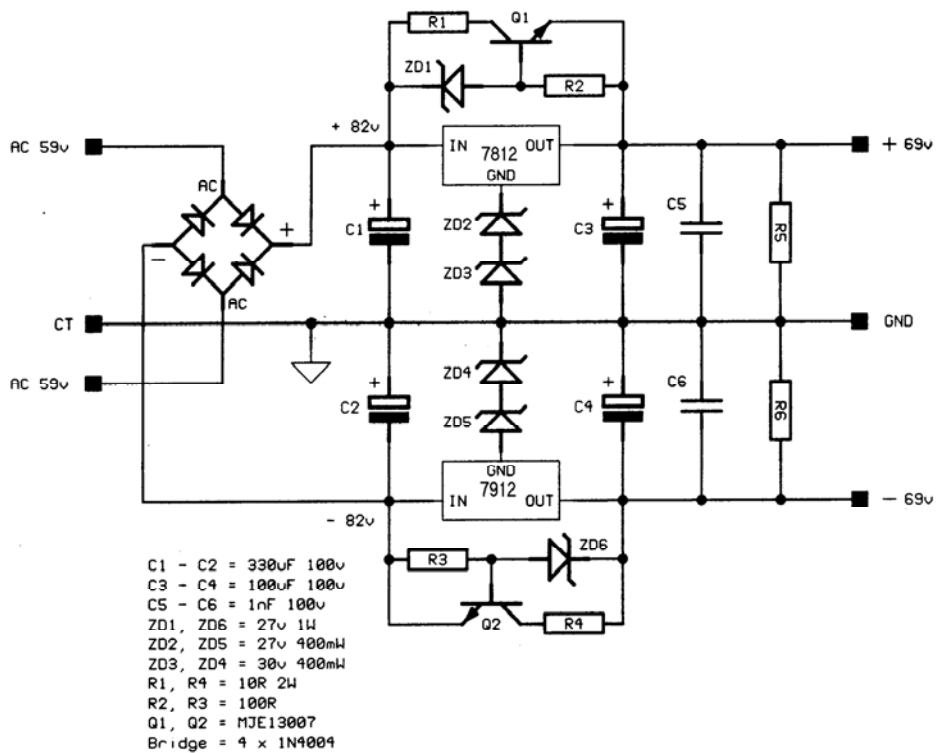


High Voltage Regulator cct.



Zener diodes ZD2 - ZD5 set the voltage for the regulator output, i.e. $27 + 30 + 12$ (reg) = 69 volts.
 Zener diodes ZD1 & ZD6 plus transistors Q1 & Q2 protect the regulators whenever the input / output voltage differential exceeds 27 volts, i.e. during power up. When the output capacitors charge to above 55 volts the transistors turn off and the regulators take over.