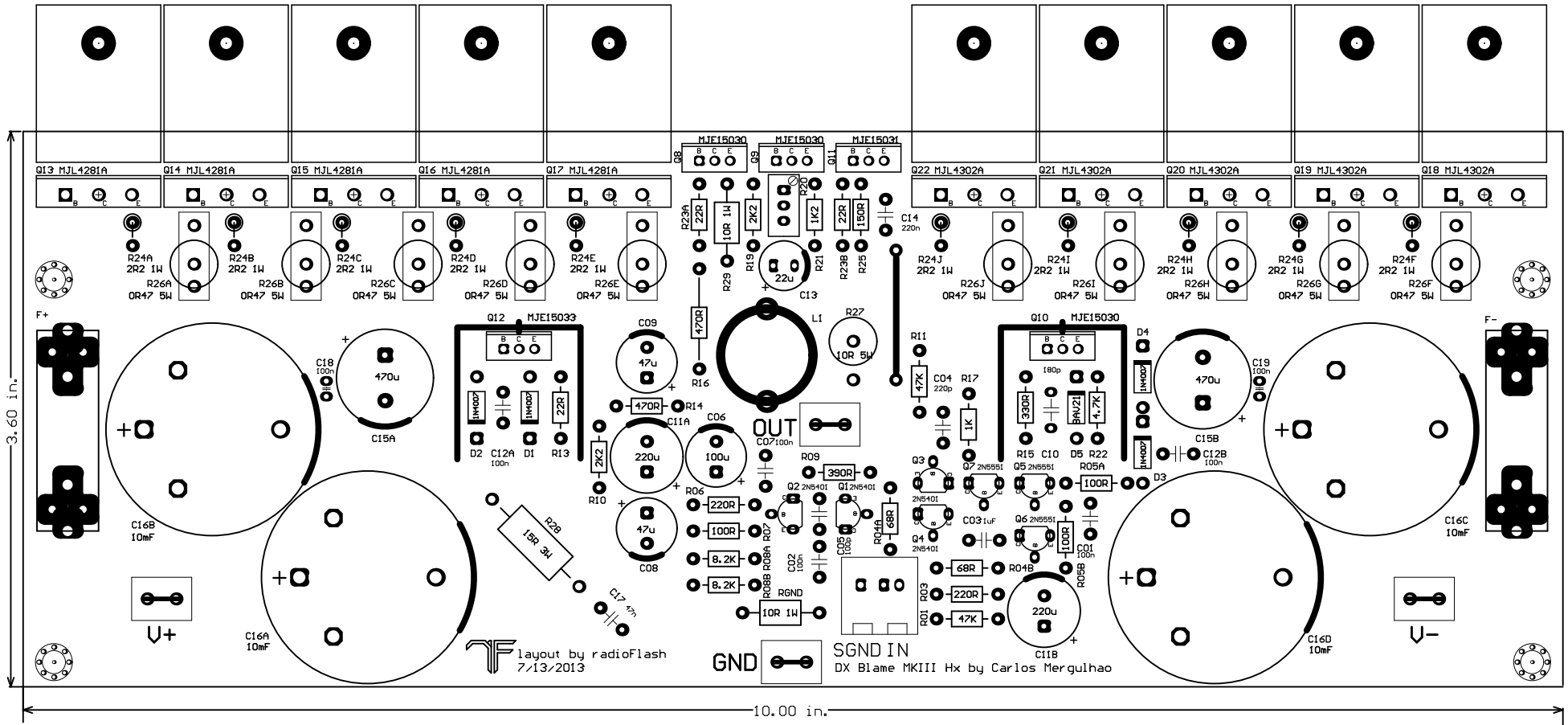


3.60 in.

10.00 in.

5135013

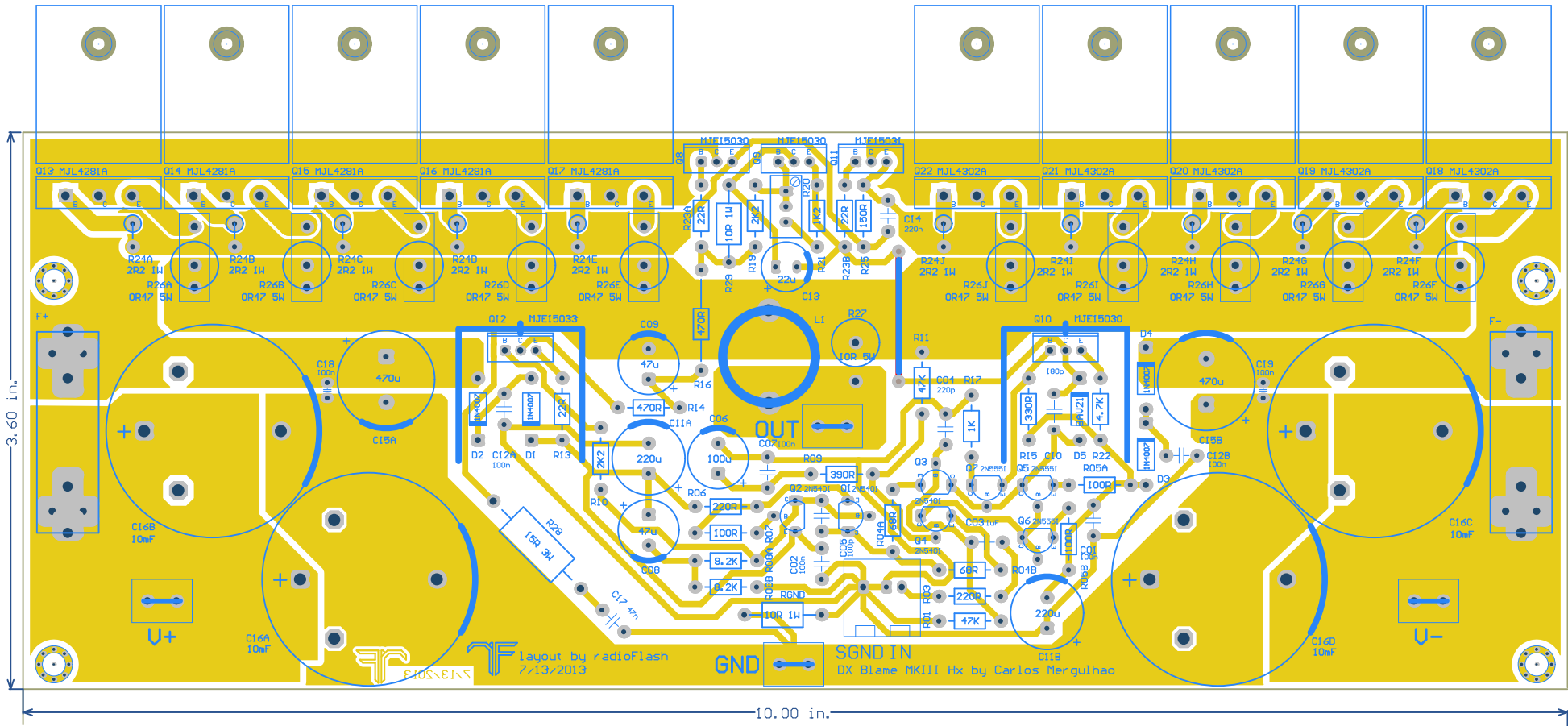


layout by radioFlash
 7/13/2013

DX Blame MKIII Hx by Carlos Mergulhao

3.60 in.

10.00 in.



1 2 3 4 5 6

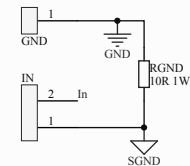
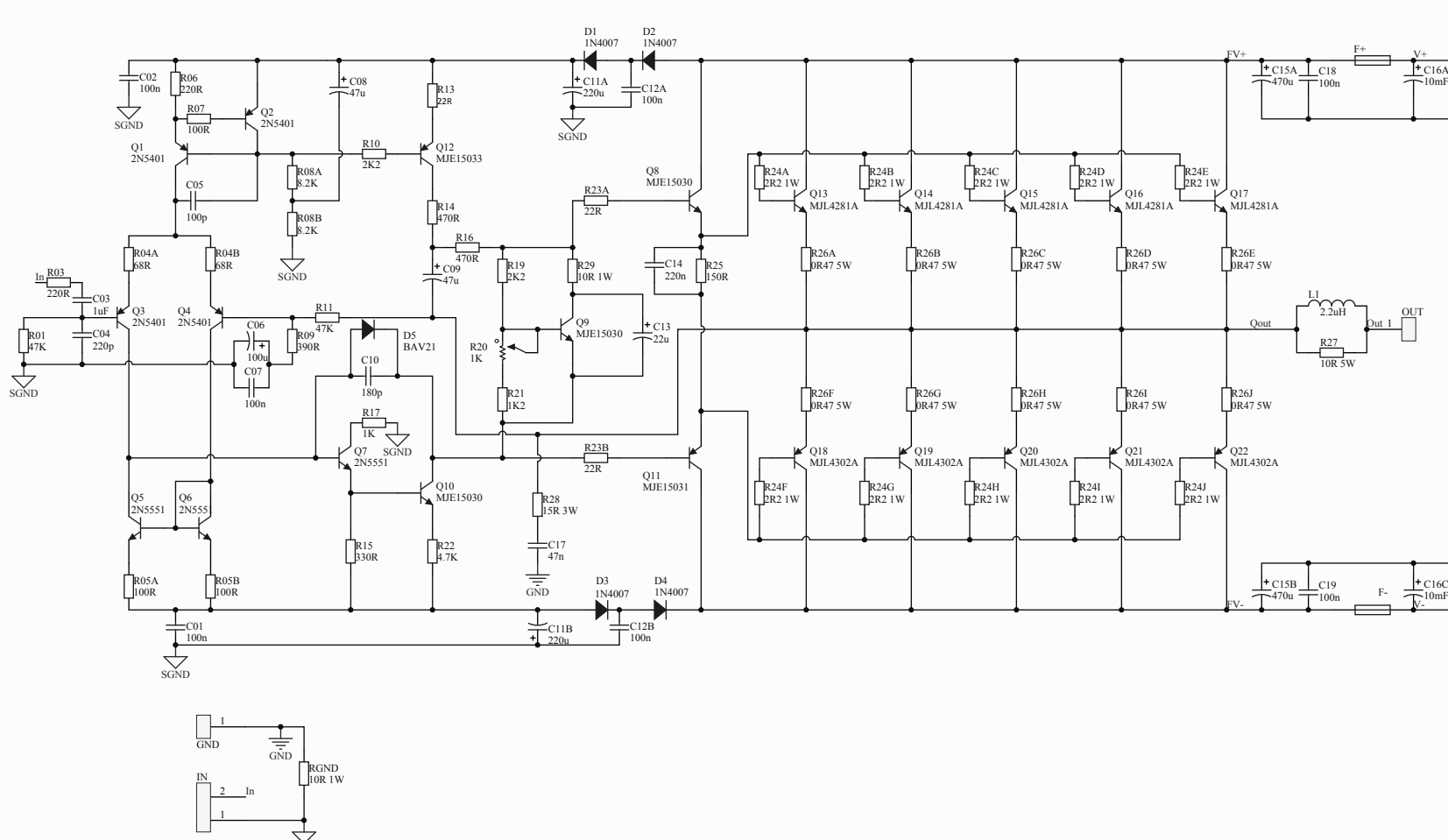
A

B

C

D

1 2 3 4 5 6



Redrawn by radioFlash based on Rev 2.2 schematic dated July 29th, 2011

Title DX Blame MKIII - HX		
Size	Number	Revision
B		2.2
Date:	7/13/2013	Sheet 1 of 1
File:	D:\Users\...DX Blame MKIII HX SchDoc Drawn by: radioFlash	