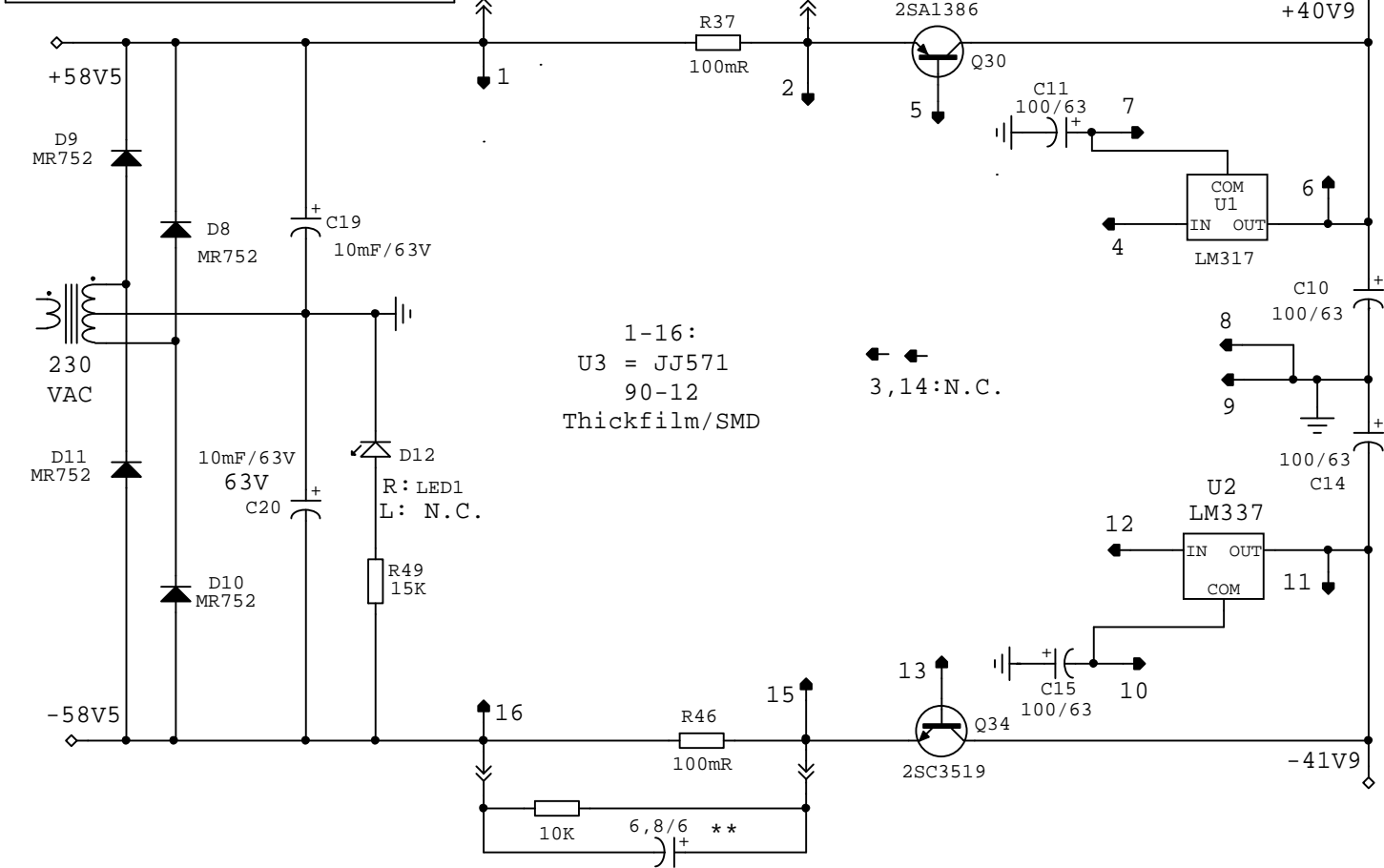


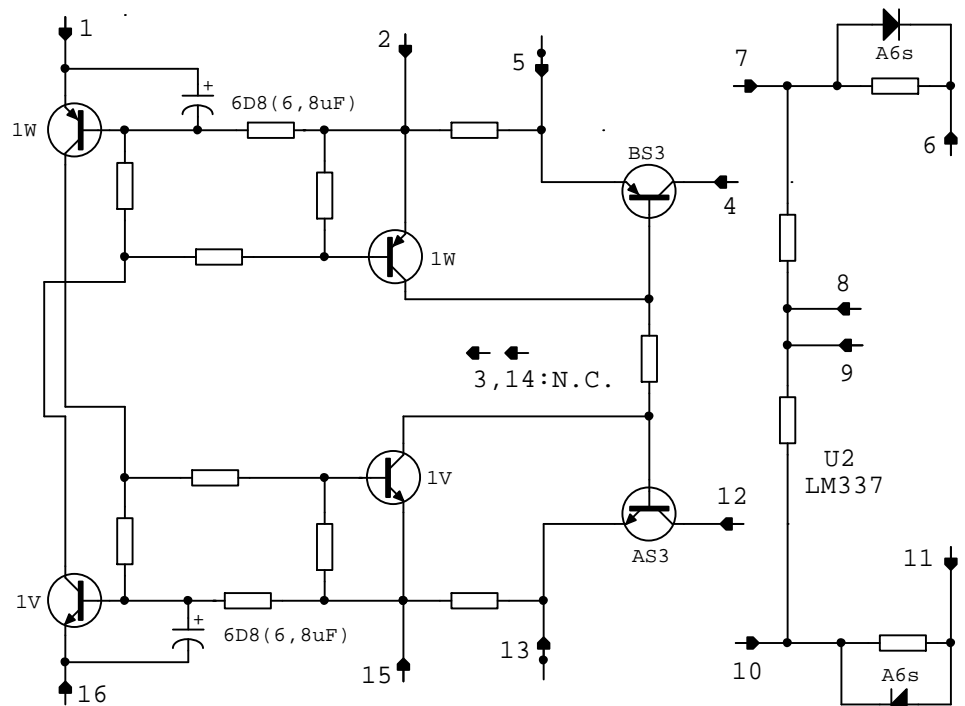
LK 2-80 from Ser.No 209600
until Jun. 93
PCB 020L04 26/1/90

Power supply,
voltage regulator

** : see technical advices
Linn Service Manual Rev. No2
March 92 Page 5.46a



1-16:
U3 = JJ571
90-12
Thickfilm/SMD



SMD-Codes:

1W- = Philips BF821W (BF 421)

1V- = Philips BF822W (BF 420)

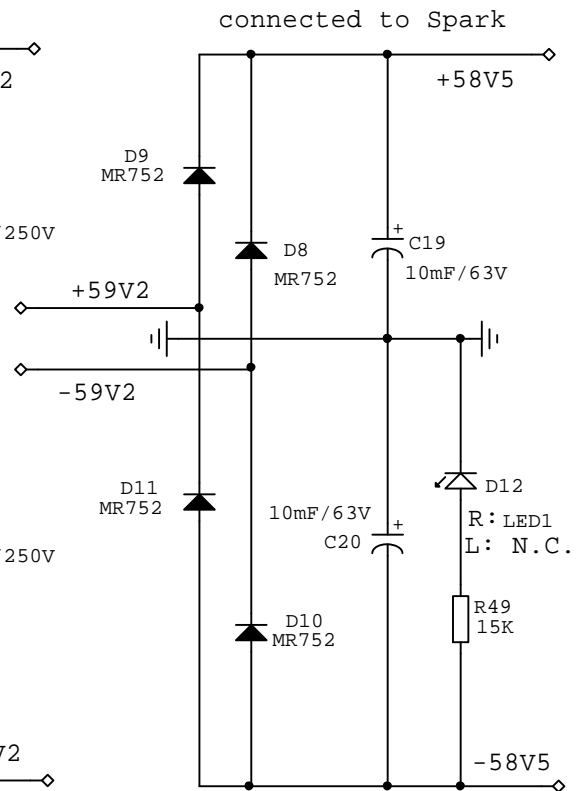
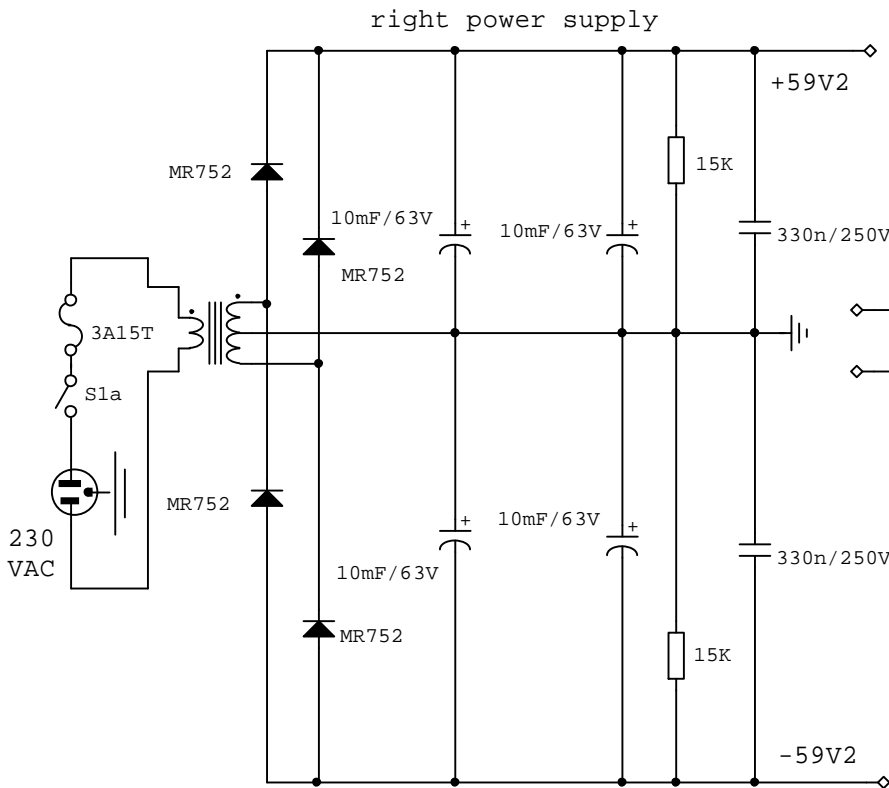
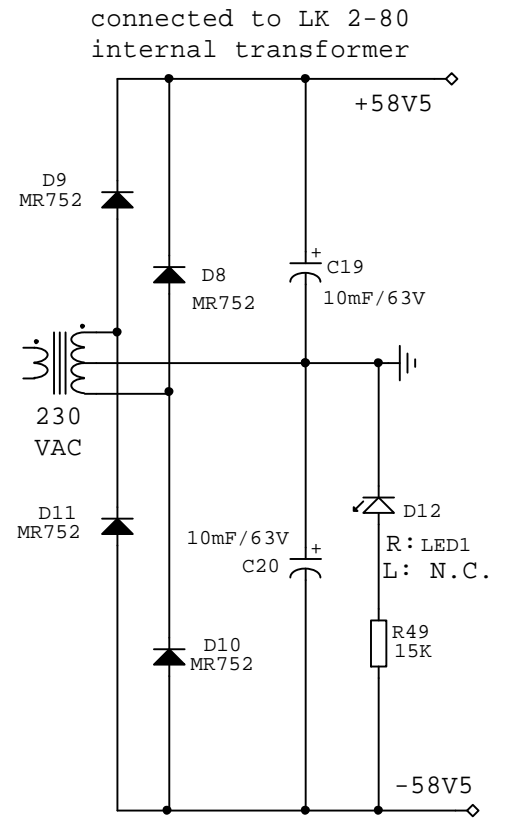
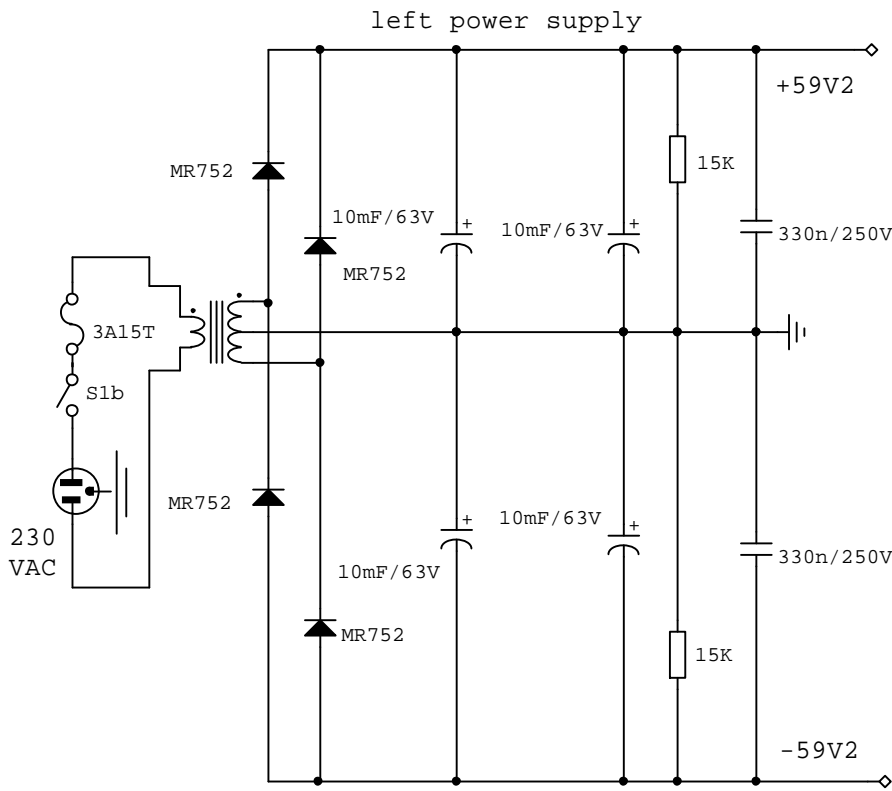
BS3 = Motorola BST62 o. BSP62 (PNP-Darl. 0,5A 90V hfe 2000)

AS3 = Motorola BST52 o. BSP52 (NPN-Darl. 0,5A 90V hfe 2000)

A6s = Infineon BAS 16W (1N4148)

LK 2-80 from Ser.No 209600
until Jun. 93
PCB 020L04 26/1/90

Power supply,
voltage regulator
(only ceramicmodul U3)



The Vital Spark 00344 checked 6/90
 PCB 25.1.90, PCAS060L2
 for Linn LK 2-80