

REV. HISTORY
0551K121.SCH

REV. HISTORY
0551K121.SCH

REV. HISTORY
0551K121.SCH

REV. HISTORY
0551K121.SCH

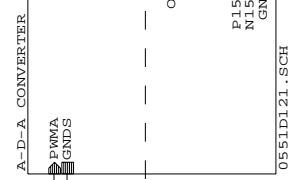
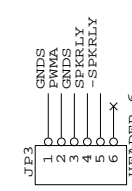
REV. HISTORY
0551K121.SCH

REV. HISTORY
0551K121.SCH

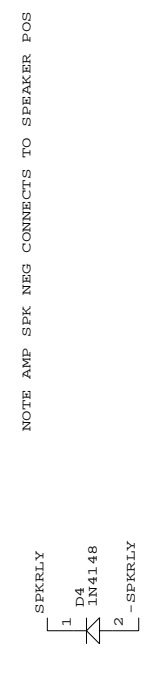
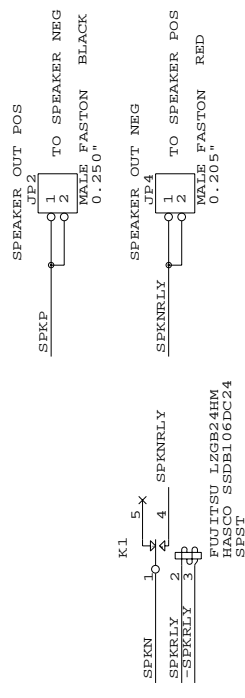
REV. HISTORY
0551K121.SCH

REV. HISTORY
0551K121.SCH

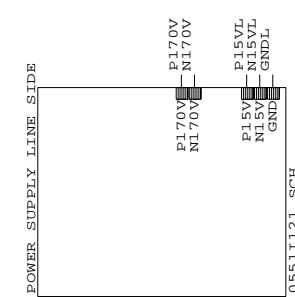
S = SAFTEY SIDE AND IS NOT CONNECTED TO LINE
L = LINE SIDE AND IS HOT



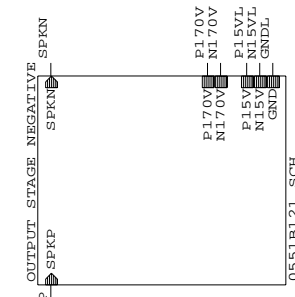
0551D121.SCH



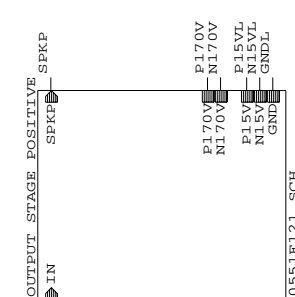
NOTE AMP SPK NEG CONNECTS TO SPEAKER POS



0551I121.SCH



0551B121.SCH



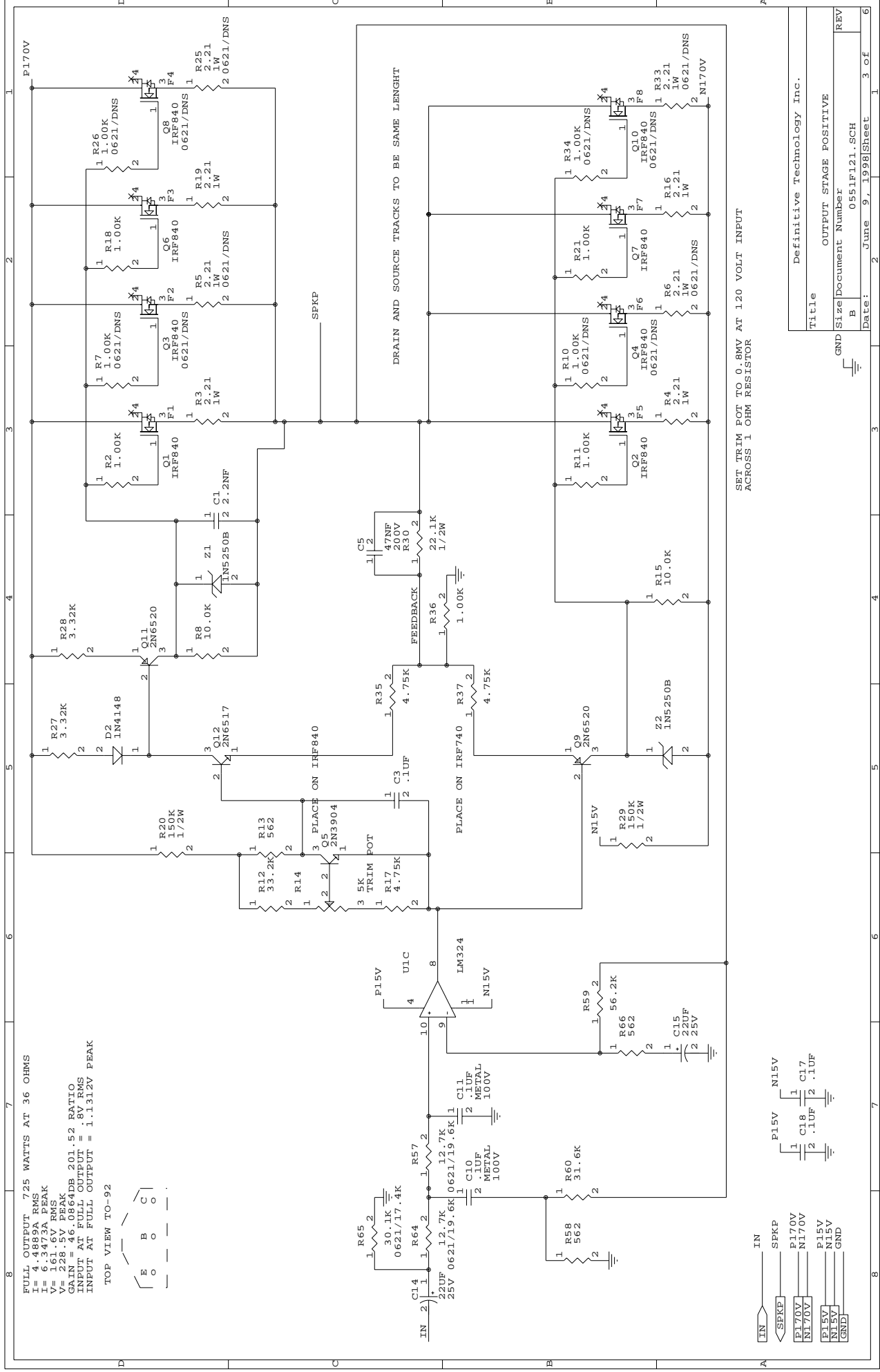
0551F121.SCH

Title
BP3000 & BP2000 POWER SECTION

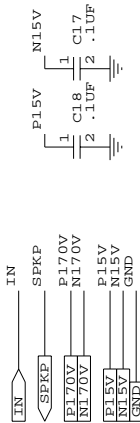
Size Document Number
B 0551A121.SCH

Date: June 9, 1998 Sheet 1 of 6

REV



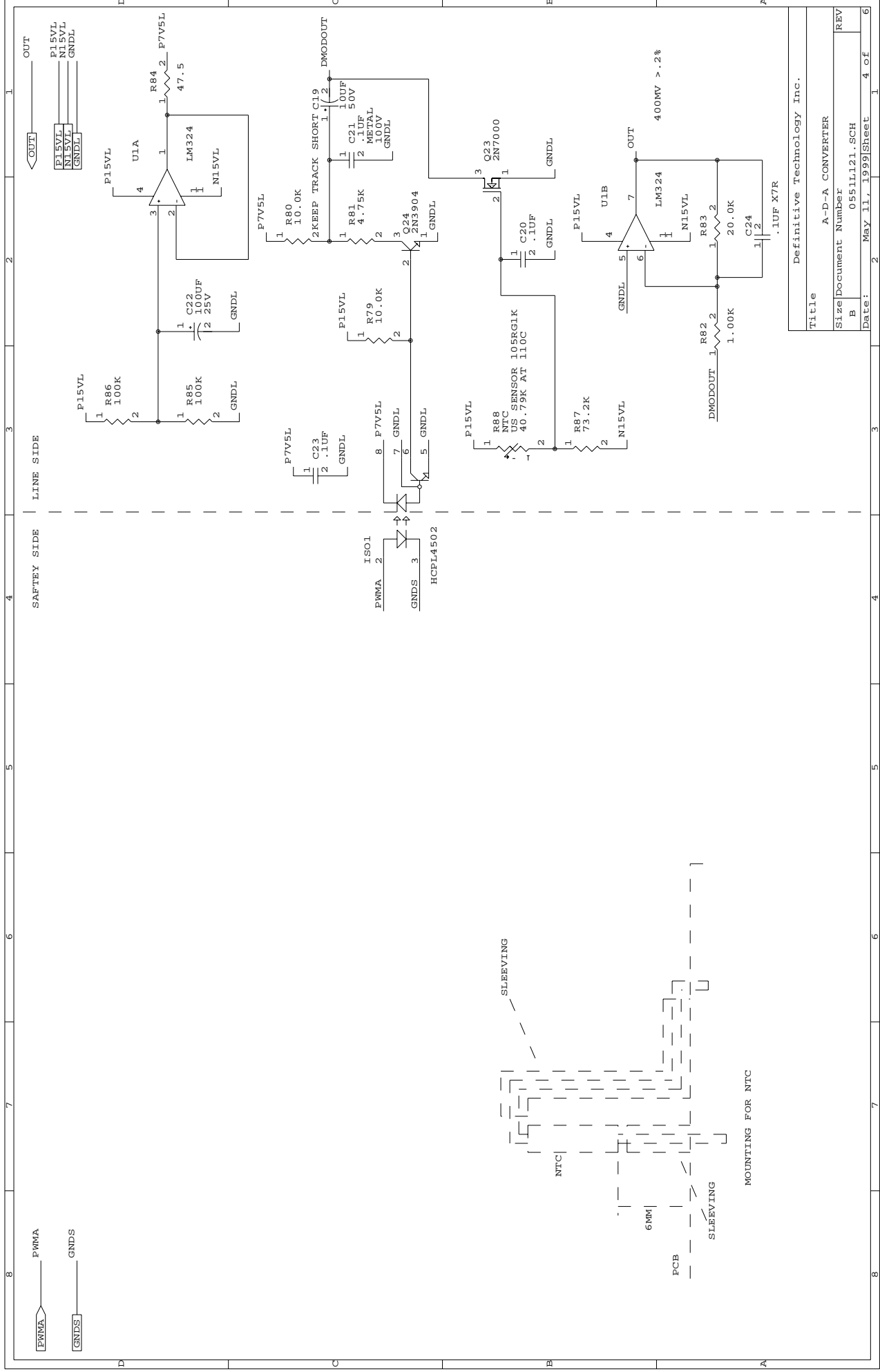
FULL OUTPUT 725 WATTS AT 36 OHMS
 RMS
 I = 6.3473A PEAK
 V = 161.6V RMS
 V = 228.5V PEAK
 GAIN = 46.0864DB, 201.52 RATIO.
 INPUT AT FULL OUTPUT = 1.8V RMS
 INPUT AT FULL OUTPUT = 1.1312V PEAK
 TOP VIEW TO-92



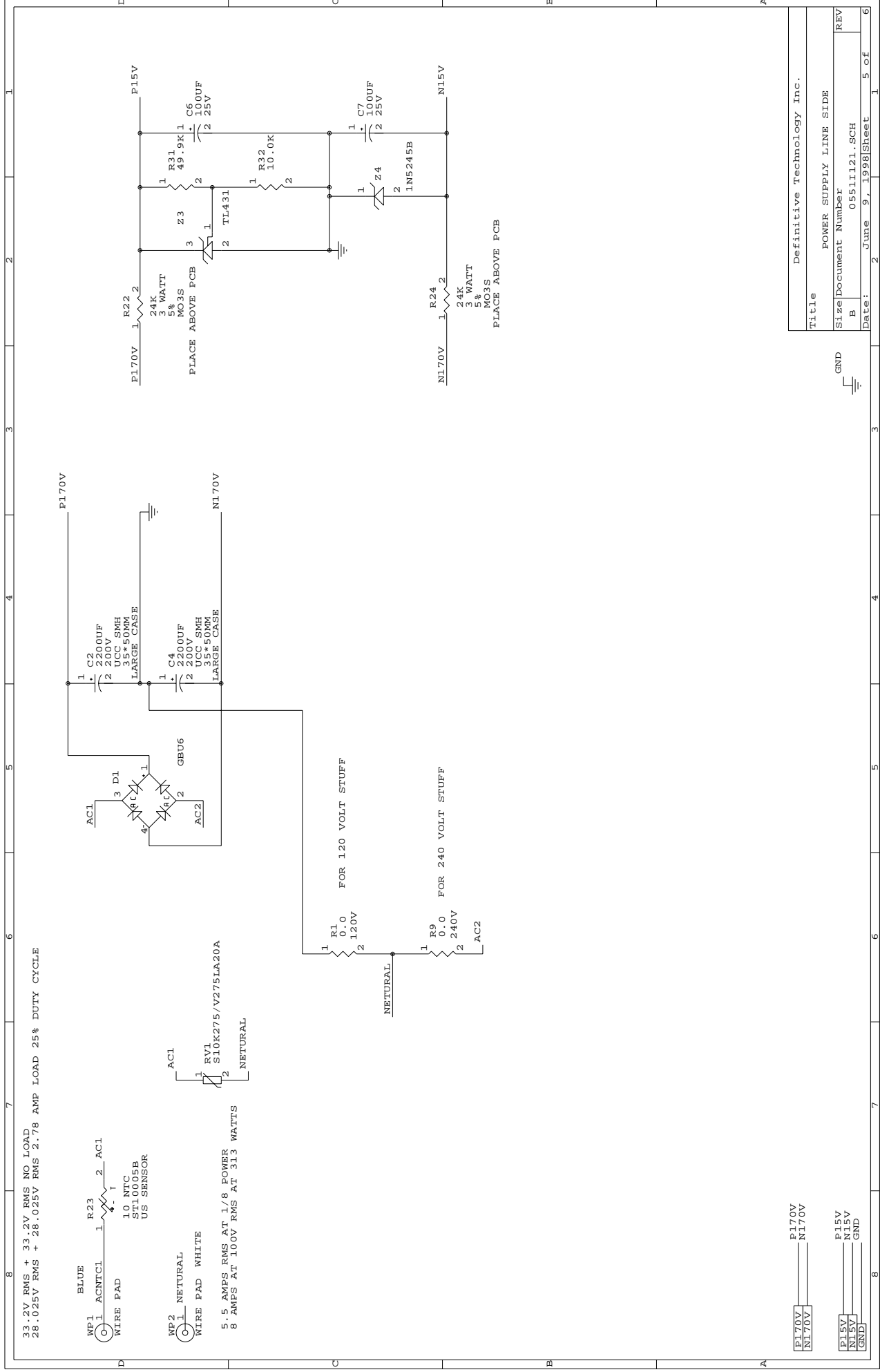
SET TRIM POT TO 0.8MV AT 120 VOLT INPUT
 ACROSS 1 OHM RESISTOR

DRAIN AND SOURCE TRACKS TO BE SAME LENGTH

Title		Definitive Technology Inc.	
Output Stage Positive		Output Stage Positive	
GND Size		Document Number	
REV		0551F121.SCH	
Date:		June 9, 1998	
Sheet		3 of 6	



Title	
Definitive Technology Inc.	
A-D-A CONVERTER	
Size	Document Number
B	05511J21.SCH
Date:	May 11, 1999
Sheet	4 of 6



33.2V RMS + 33.2V RMS NO LOAD
 28.1025V RMS + 28.025V RMS 2.78 AMP LOAD 25% DUTY CYCLE

WP1 BLUE
 WIRE PAD
 1 ACNTC1 1 R23
 4 1
 10 NTC
 US SENSOR

WP2 NEUTRAL
 WIRE PAD WHITE
 1 RV1
 S10K275/V275LA20A
 5.5 AMPS RMS AT 1/8 POWER
 8 AMPS AT 100V RMS AT 313 WATTS

P170V
 N170V

P15V
 N15V
 GND

Title		Definitive Technology Inc.
Size		POWER SUPPLY LINE SIDE
Document Number		0551121.SCH
REV	Date:	2 June 97 1998 Sheet 5 of 6

GND

R24 24K
 5% WATT
 MO3S
 PLACE ABOVE PCB

R22 24K
 3 WATT
 5%
 MO3S
 PLACE ABOVE PCB

R31 49.9K
 1
 100UF
 2 25V

R32 10.0K
 2

C7 1000UF
 2 25V

Z4 1N5245B

N170V
 R24 24K
 5% WATT
 MO3S
 PLACE ABOVE PCB

N15V

FOR 120 VOLT STUFF

FOR 240 VOLT STUFF

R1 0.0
 120V

R9 0.0
 240V

NETURAL

NETURAL

P170V

N170V

C2 2200UF
 2 200V
 UCC SMH
 35*50MM
 LARGE CASE

C4 2200UF
 2 200V
 UCC SMH
 35*50MM
 LARGE CASE

AC1

D1

GBU06

AC2

AC1

NETURAL

P170V
 N170V

P15V
 N15V
 GND

GND

R24 24K
 5% WATT
 MO3S
 PLACE ABOVE PCB

R22 24K
 3 WATT
 5%
 MO3S
 PLACE ABOVE PCB

R31 49.9K
 1
 100UF
 2 25V

R32 10.0K
 2

C7 1000UF
 2 25V

Z4 1N5245B

N170V
 R24 24K
 5% WATT
 MO3S
 PLACE ABOVE PCB

N15V

FOR 120 VOLT STUFF

FOR 240 VOLT STUFF

R1 0.0
 120V

R9 0.0
 240V

NETURAL

NETURAL

P170V

N170V

C2 2200UF
 2 200V
 UCC SMH
 35*50MM
 LARGE CASE

C4 2200UF
 2 200V
 UCC SMH
 35*50MM
 LARGE CASE

AC1

D1

GBU06

AC2

AC1

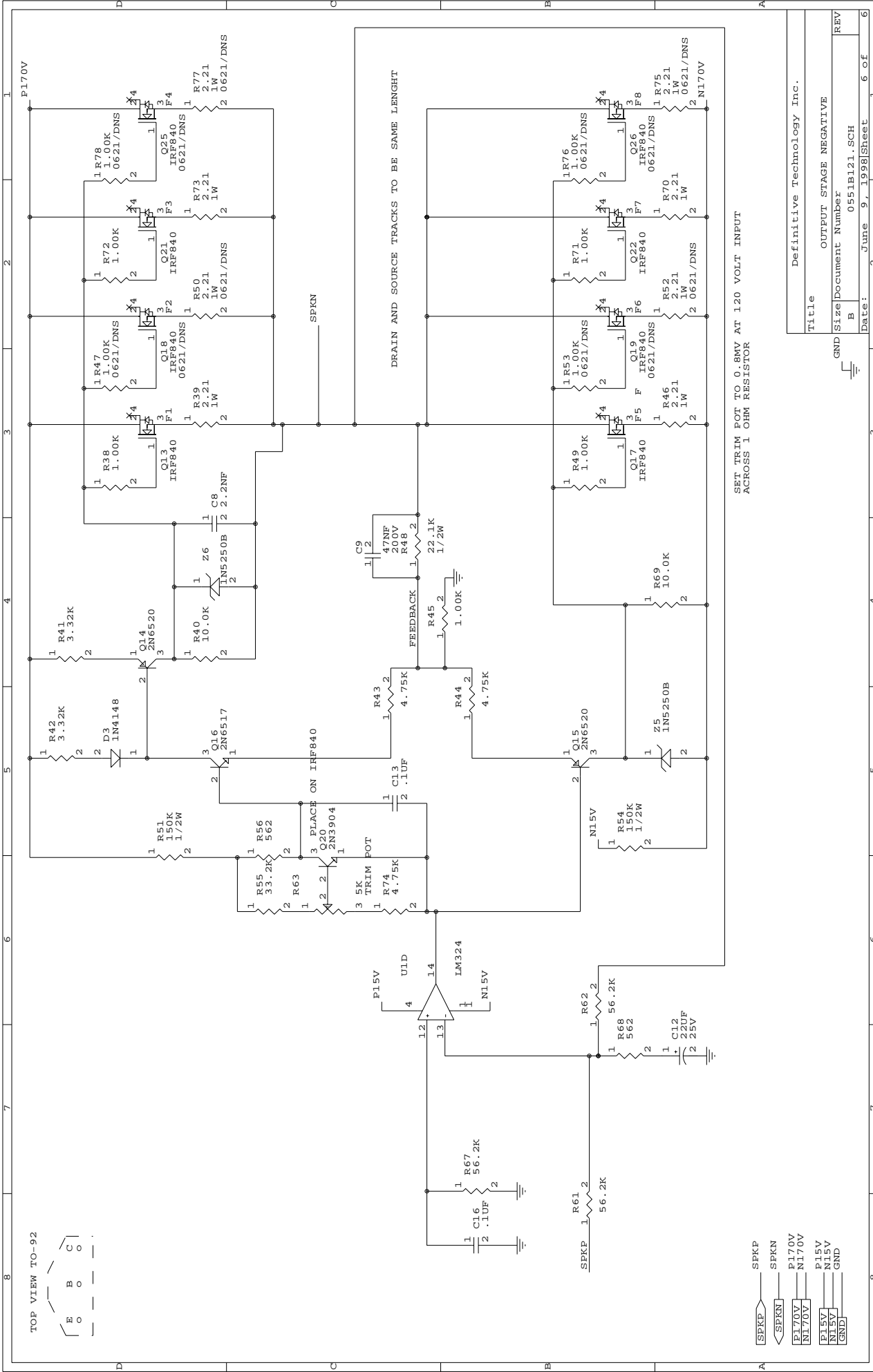
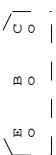
NETURAL

P170V
 N170V

P15V
 N15V
 GND

GND

TOP VIEW TO-92



DRAIN AND SOURCE TRACKS TO BE SAME LENGTH

SET TRIM POT TO 0.8MV AT 120 VOLT INPUT
ACROSS 1 OHM RESISTOR

Title		Definitive Technology Inc.	
B		OUTPUT STAGE NEGATIVE	
Date: June 9, 1998		Sheet 1 of 6	
REV		REV	
GND Size		Document Number	
P15V		0551B121.SCH	