

6

5

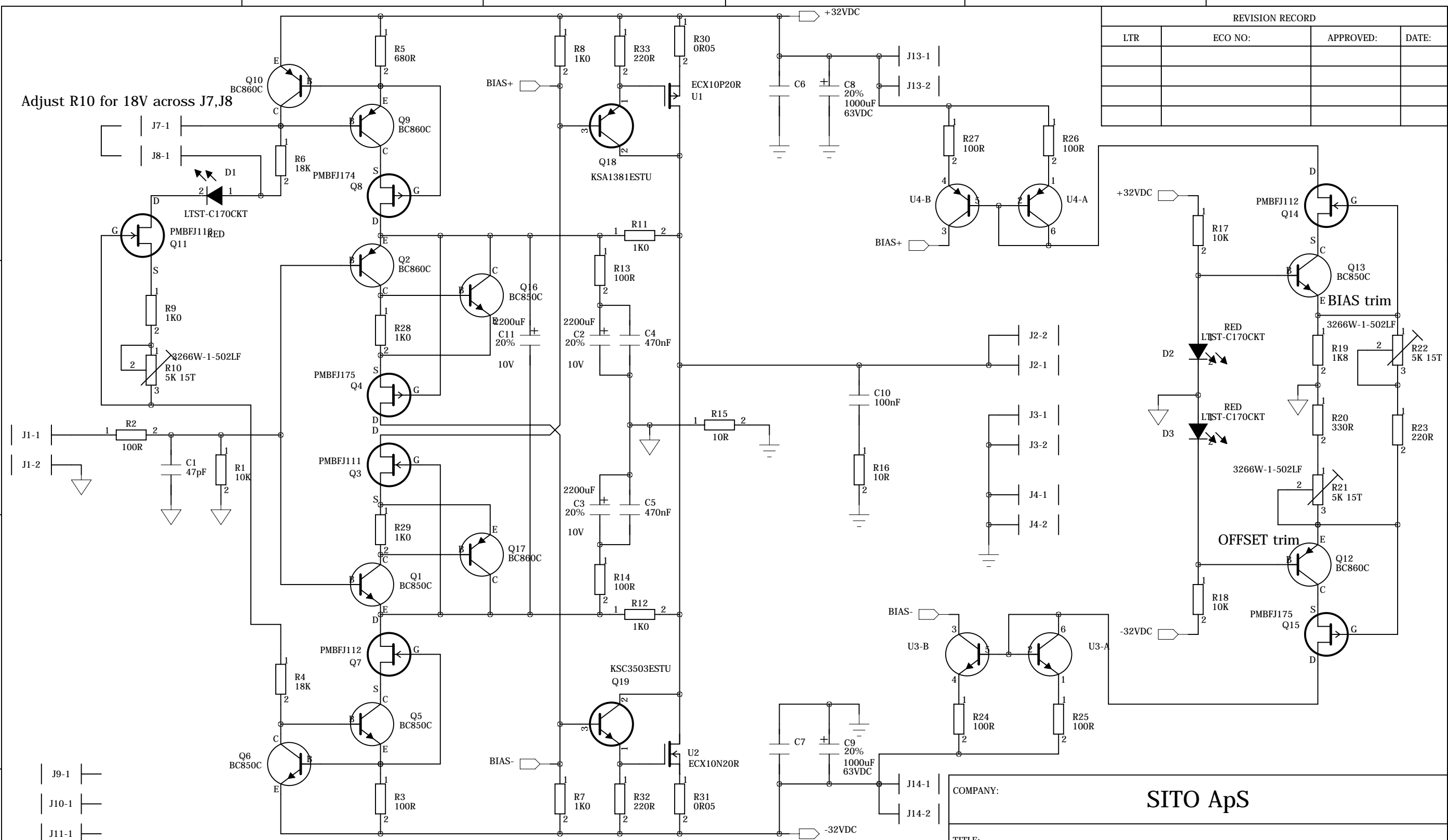
4

3

2

1

REVISION RECORD			
LTR	ECO NO:	APPROVED:	DATE:



D

C

B

A

D

C

B

A

COMPANY: SITO ApS			
TITLE: TSSA V1.6 (not for commercial use)			
CODE: <Code>	SIZE: A3	DRAWING NO: <Drawing Number>	REV: 1.4
RELEASED: 07-08-12	DATED: <Release Date>	SCALE: <Scale>	SHEET: 1 OF 1

DRAWN: Sonny Andersen	DATED: 27-04-12
CHECKED: Sonny Andersen	DATED: 28-04-12
QUALITY CONTROL: <QC By>	DATED: <QC Date>
RELEASED: 07-08-12	DATED: <Release Date>

Idle current of 600mA:
 Bias trim to 30mV across R31
 Re- adjust bias trim after 10min.
 Adjust offset trim to +/-10mV

