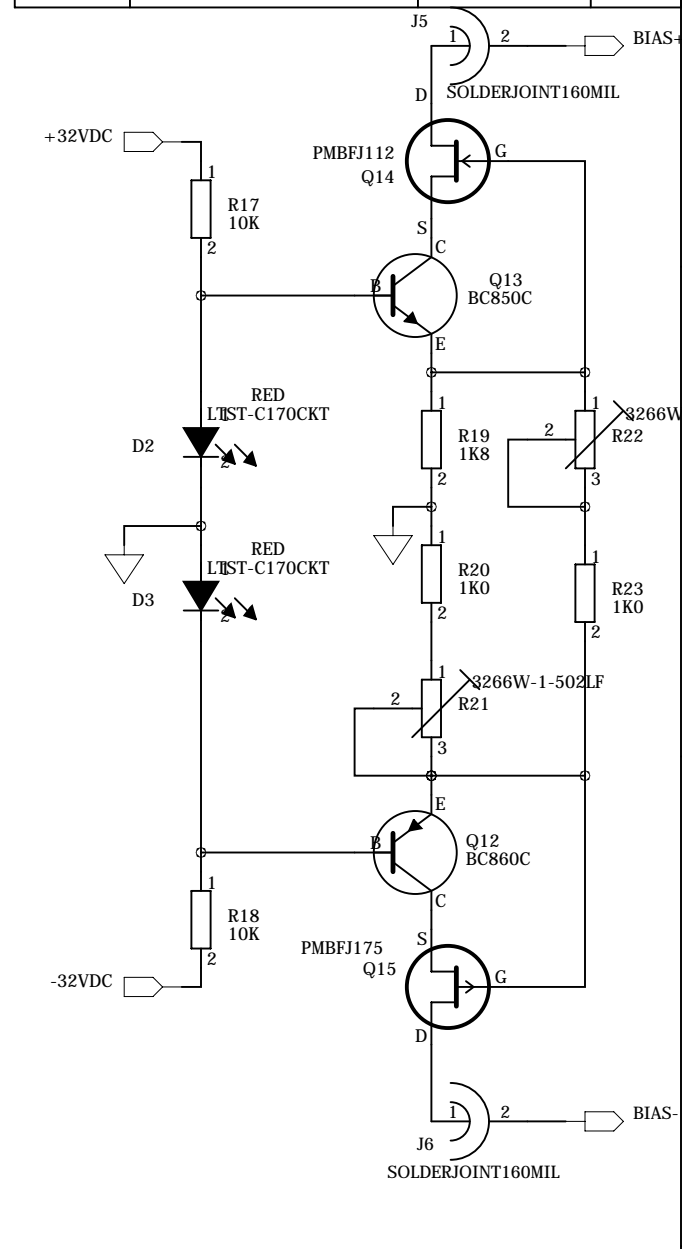


REVISION RECORD			
LTR	ECO NO:	APPROVED:	DATE:



COMPANY: <Company Name>

TITLE: TSSA

DRAWN: Sonny Andersen	DATED: 27-04-12
CHECKED: Sonny Andersen	DATED: 28-04-12
QUALITY CONTROL: <QC By>	DATED: <QC Date>
RELEASED: 28-04-12 21:41	DATED: <Release Date>

CODE: <Code>	SIZE: A3	DRAWING NO: <Drawing Number>	REV: 1.4
SCALE: <Scale>			SHEET: 1 OF 1

D

C

B

A

D

C

B

A