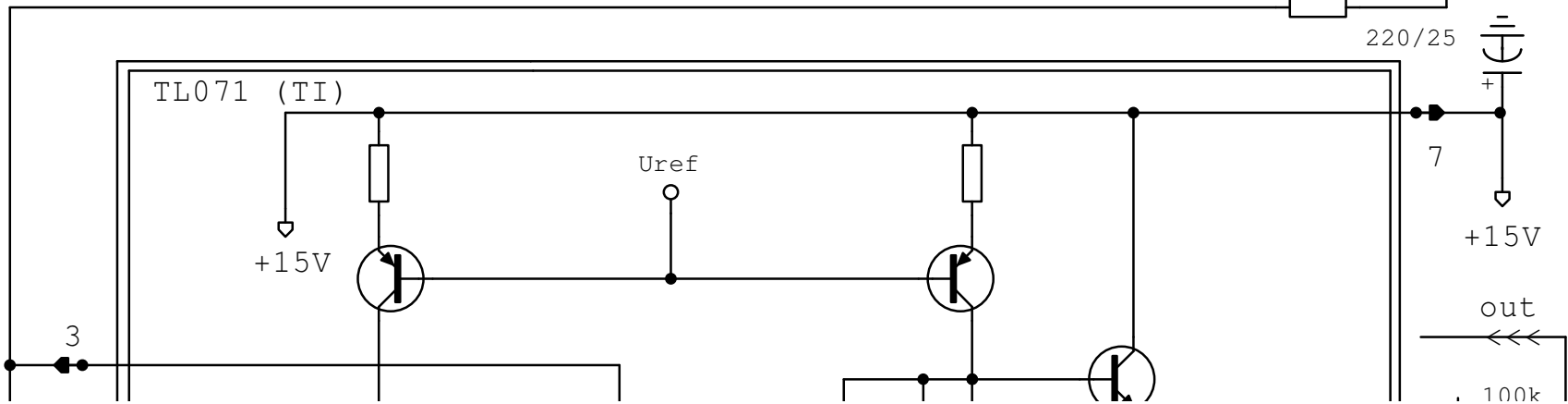
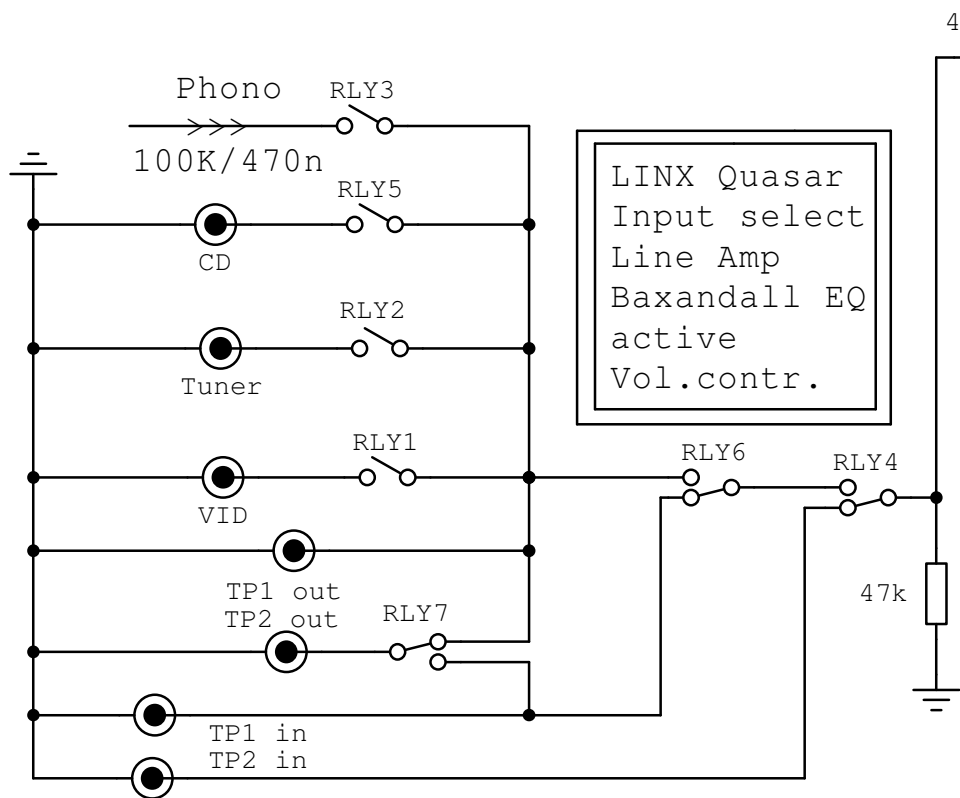


LINX Quasar
RIAA-Head Amp





RLY1-7:Meisei M1B-12H

RLY7 = Dubbing from TP2 to TP1

Mainboard:
Quasar PT NO-807C
12 01 87

