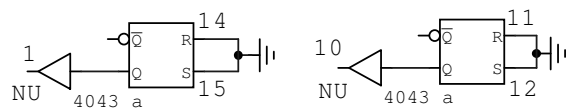
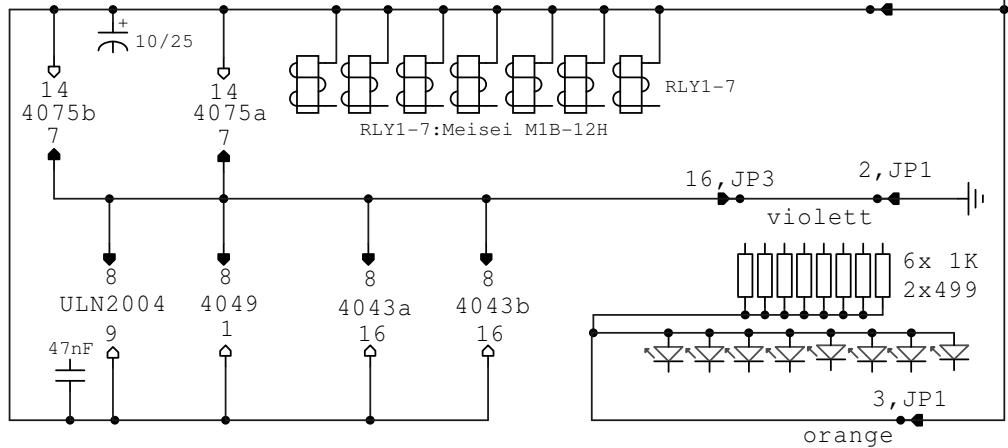
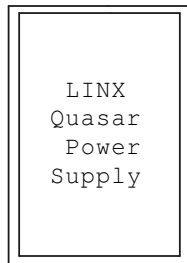
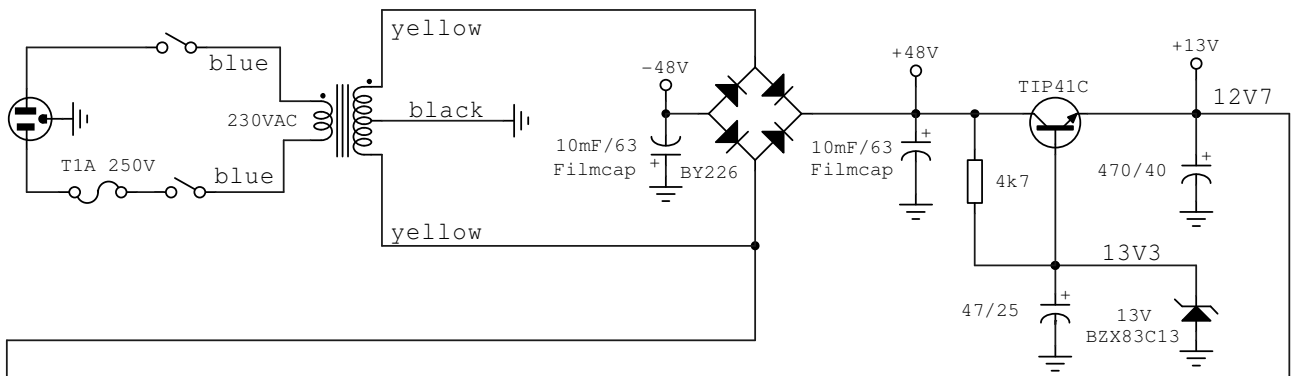
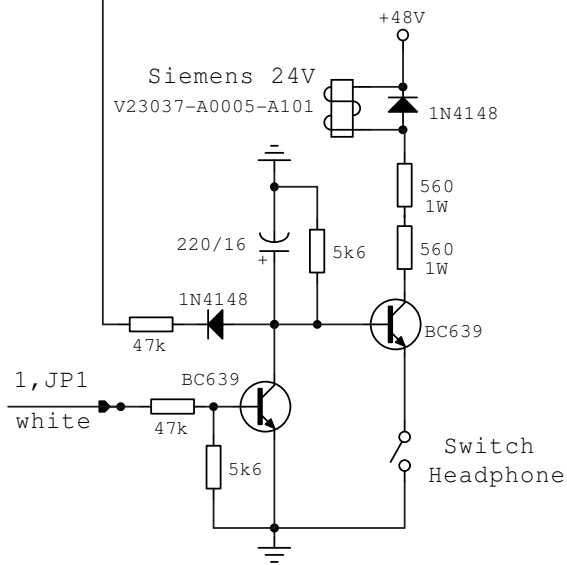


1-3,JP1: Connector from Main PCB to Display-PCB  
 1-8,JP2: Connector from Main-PCB to Logic-PCB  
 1-16,JP3: Connector from Logic-PCB to Display-PCB





1-3, JP1: Connector from Main PCB to Display-PCB  
 1-8, JP2: Connector from Main-PCB to Logic-PCB  
 1-16, JP3: Connector from Logic-PCB to Display-PCB



5x TL071  
 2x NE5534AP  
 7=+ 4=-

