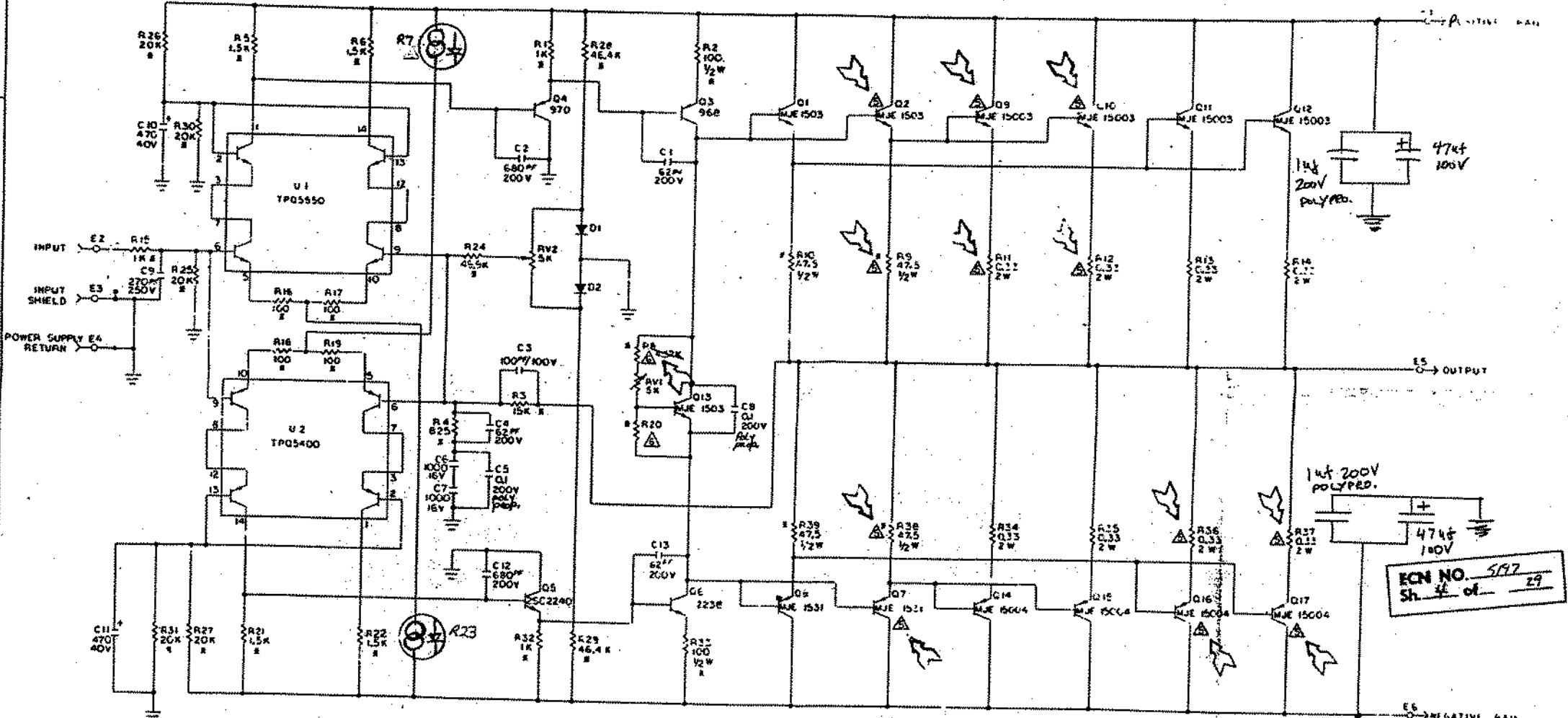


IMPORTANT NOTE
 THIS DRAWING CONTAINS INFORMATION THAT IS PROPRIETARY TO LUC/ INTERGRATED POWER TECH. AND SHOULD NOT BE USED OR REPRODUCED WITHOUT WRITTEN PERMISSION

COMPONENT	VALUE CHART	
	TAP	COG/TAP COG
R20	2.32 K	1.5 K
RB	4.32 K	3.01 K

REV	BY	DATE	DESCRIPTION	DATE
---	A	---	PROTOTYPE	---
---	B	---	SEE FCN	---
---	C	---	SEE ECN	---
---	D	---	R24 FROM RELAY TO ASSEMBLY	---
---	E	---	ADDED RB TO CHART RB REMOVED VALUE ADDED ADDED WHERE NEEDED	---



NOTES:
 1. UNLESS OTHERWISE SPECIFIED:
 ALL RESISTORS ARE 1/4W, 5% CF
 ALL RESISTANCE IS IN OHMS
 ALL DIODES ARE 1N4148
 ALL CAPACITANCE IS IN MICROFARADS
 2. 2 INDICATES 1/4W, 1% RESISTORS
 3. Δ INDICATES POLYPROP CAPACITORS
 4. THERE ARE NO FOURWAY TIES
 Δ THESE COMPONENTS ARE NOT USED ON TAP06100W

FOR VALUES SEE CHART

HIGHEST REFERENCE DESIGNATIONS										APPROVALS	
C	D	H	E	Q	U	R	V			DESIGNED BY	DATE
13	2	139	6	17	2	2				CAG	12/25/77
REFERENCE DESIGNATIONS NOT USED										CHECKED BY	DATE
										DESIGNED BY	DATE
										APPROVED BY	DATE
										DATE	NO.
										TAP 006/077	0950074-00

ECN NO. 597
 Sh. # of 29

4004-2004

SCHEMATIC DRIVER / OUTPUT