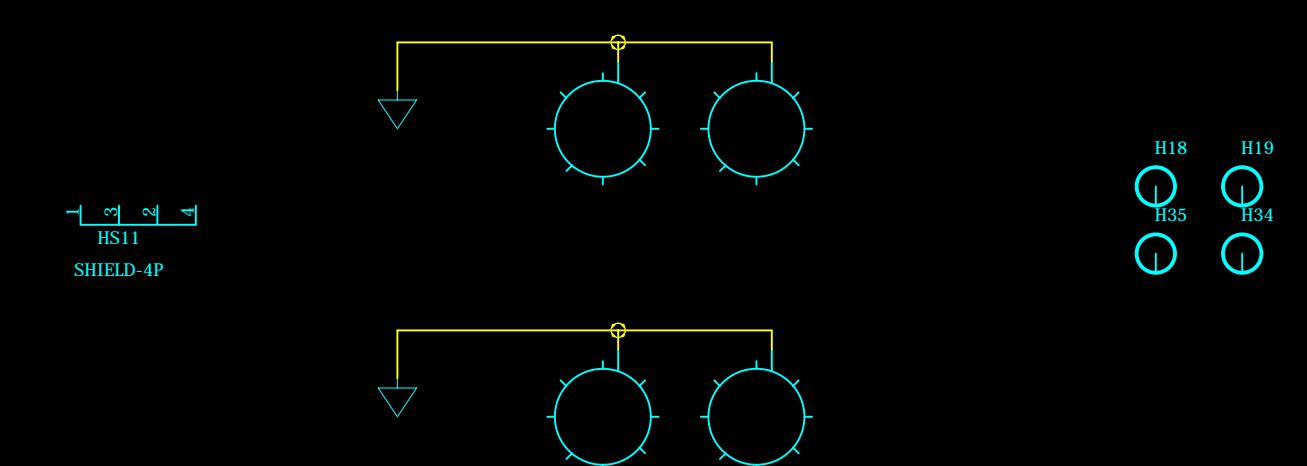
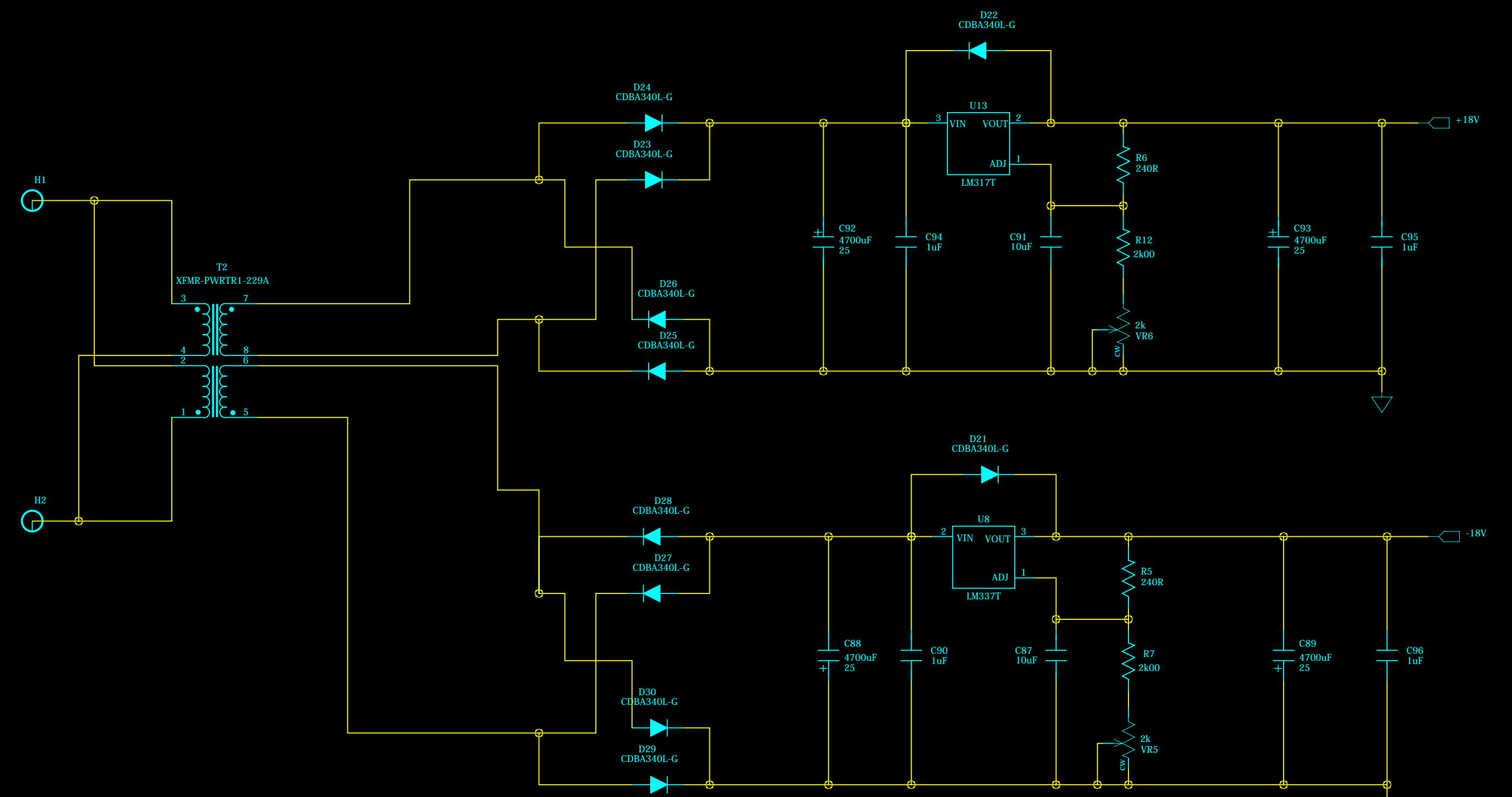
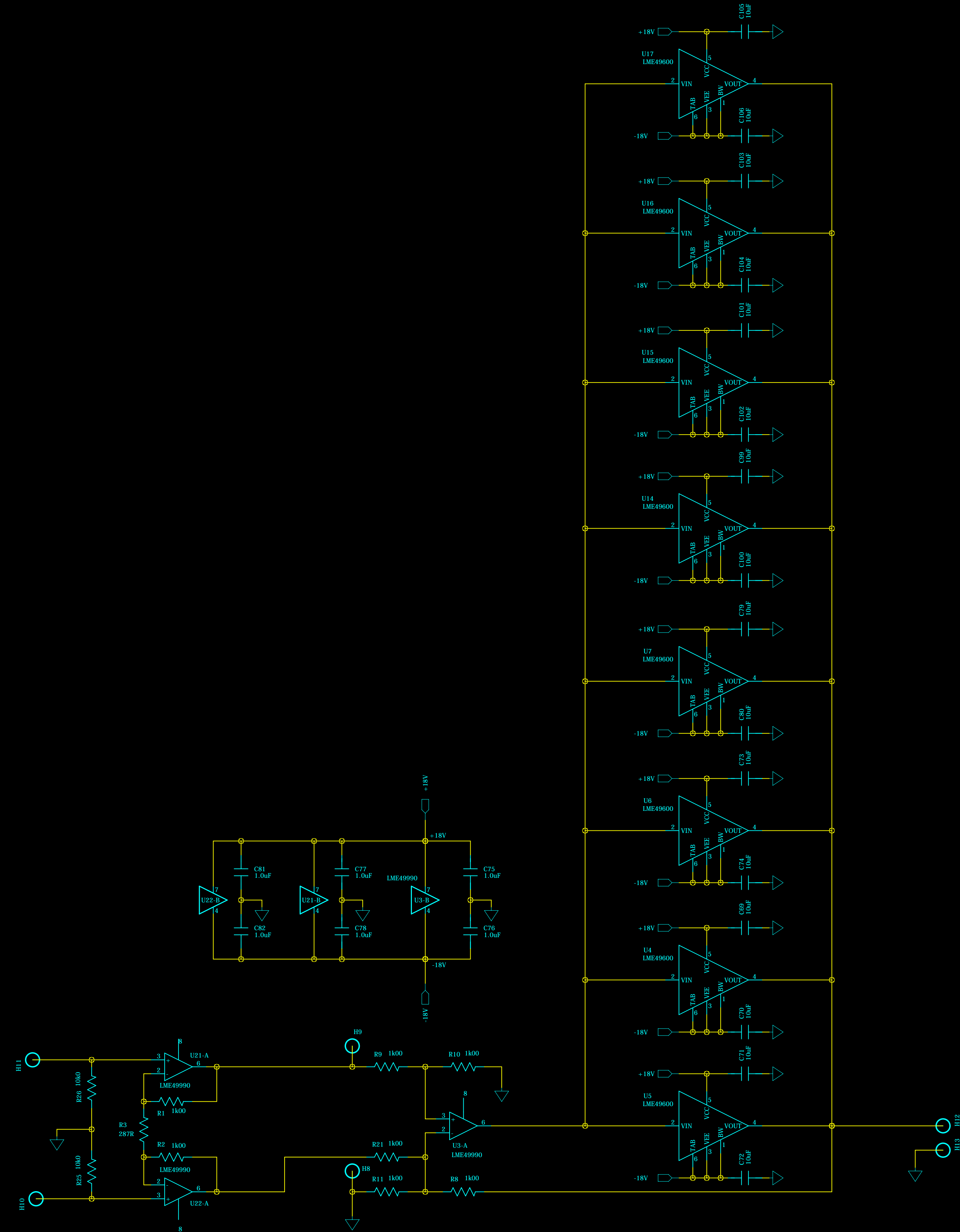


| REVISION RECORD |         |           |       |
|-----------------|---------|-----------|-------|
| LTR             | ECO NO. | APPROVED: | DATE: |
|                 |         |           |       |
|                 |         |           |       |
|                 |         |           |       |



|                                 |                       |                   |              |
|---------------------------------|-----------------------|-------------------|--------------|
| COMPANY: <Company Name>         |                       |                   |              |
| TITLE: LME49830 Power Amplifier |                       |                   |              |
| DRAWN: opc                      | DATED: 9/13/2011      | CODE:             | SIZE: D      |
| CHECKED: <Checked By>           | DATED: <Checked Date> | DRAWING NO: 01-04 | REV: A       |
| QUALITY CONTROL: <QC By>        | DATED: <QC Date>      | SCALE: <Scale>    | SHEET: 3OF 3 |
| RELEASED: <Released By>         | DATED: <Release Date> |                   |              |