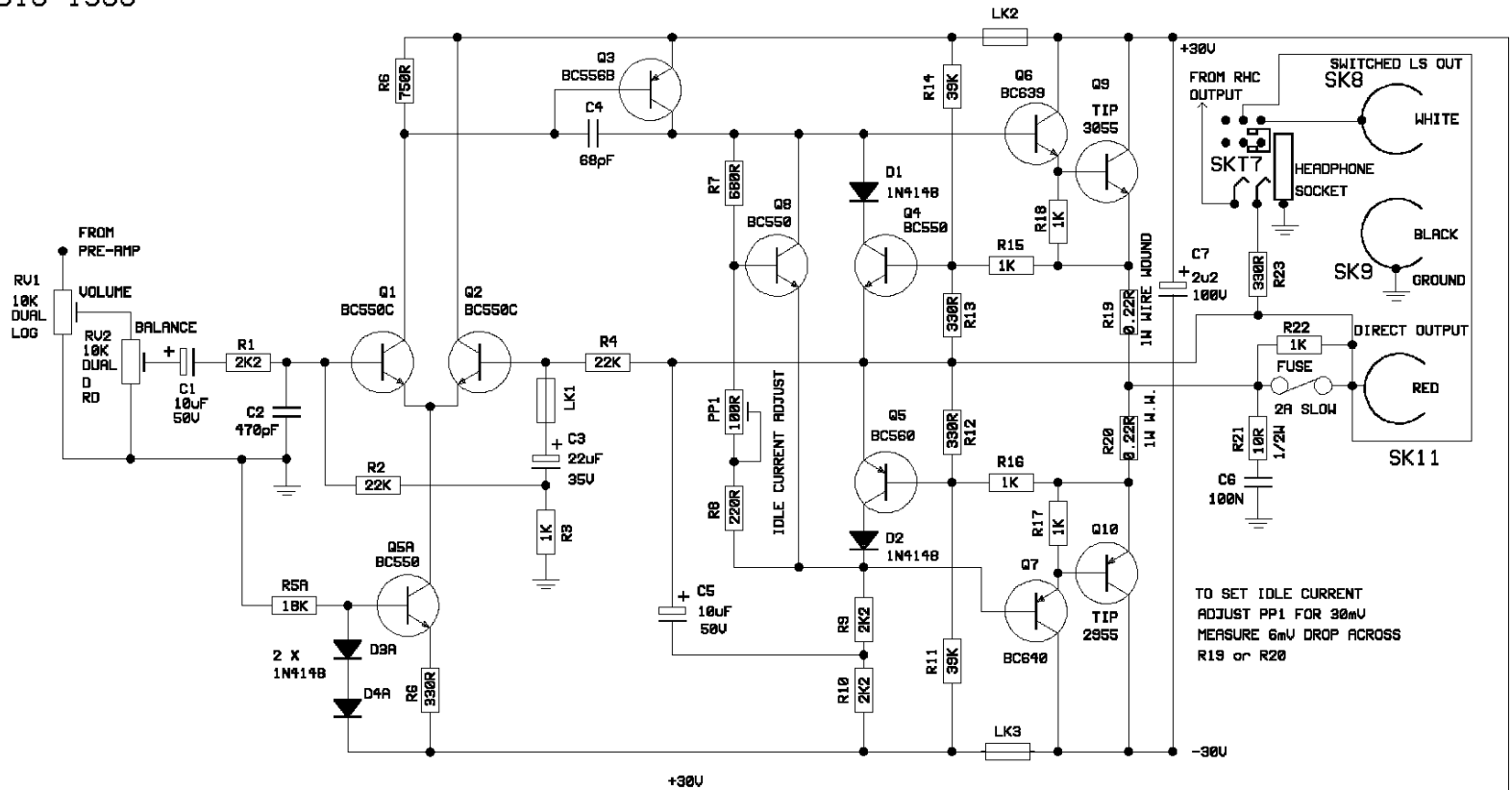


SCHEMATIC DIAGRAM OF THE CREEK 4040S2 V2 POWER AMPLIFIER SECTION AND POWER SUPPLY

© CREEK AUDIO 1988

DRAWING SHOWS LEFT HAND COMPONENTS ONLY 1/07/2000
FOR RIGHT HAND PART NOS ADD 100



CREEK AUDIO LTD
2 BELLEVUE ROAD
LONDON N11 3ER
ENGLAND

TEL + 44 020 8361 4133

FAX + 44 020 8361 4136

E-MAIL info @ creekaudio.co.uk

