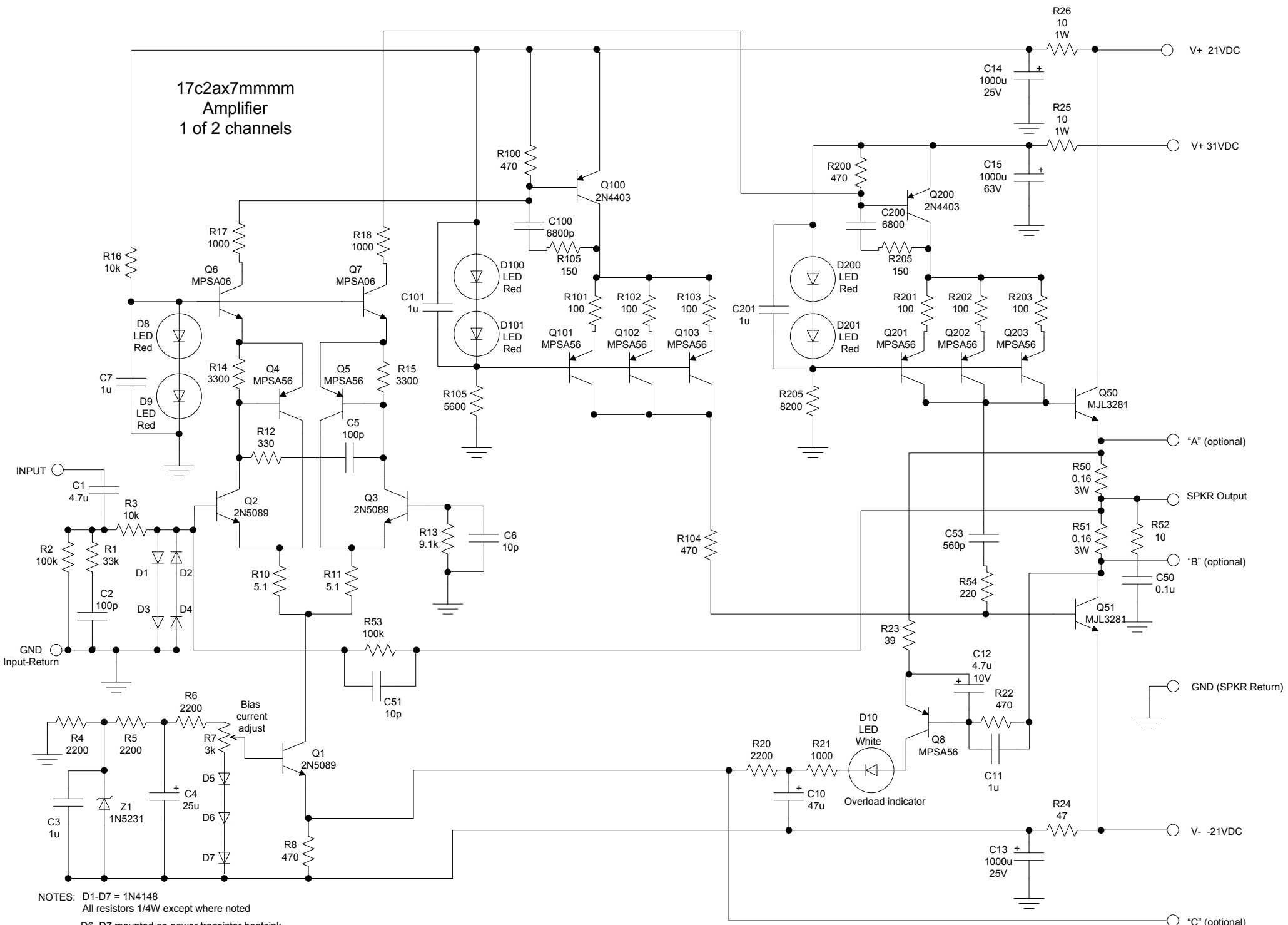


17c2ax7mmmm  
Amplifier  
1 of 2 channels



NOTES: D1-D7 = 1N4148  
All resistors 1/4W except where noted  
D6, D7 mounted on power transistor heatsink  
Q2, Q3 thermally linked  
Adjust R7 until bias current through R50,R51 is 0.4A

- V+ 21VDC
- V+ 31VDC
- "A" (optional)
- SPKR Output
- "B" (optional)
- GND (SPKR Return)
- V- -21VDC
- "C" (optional)