

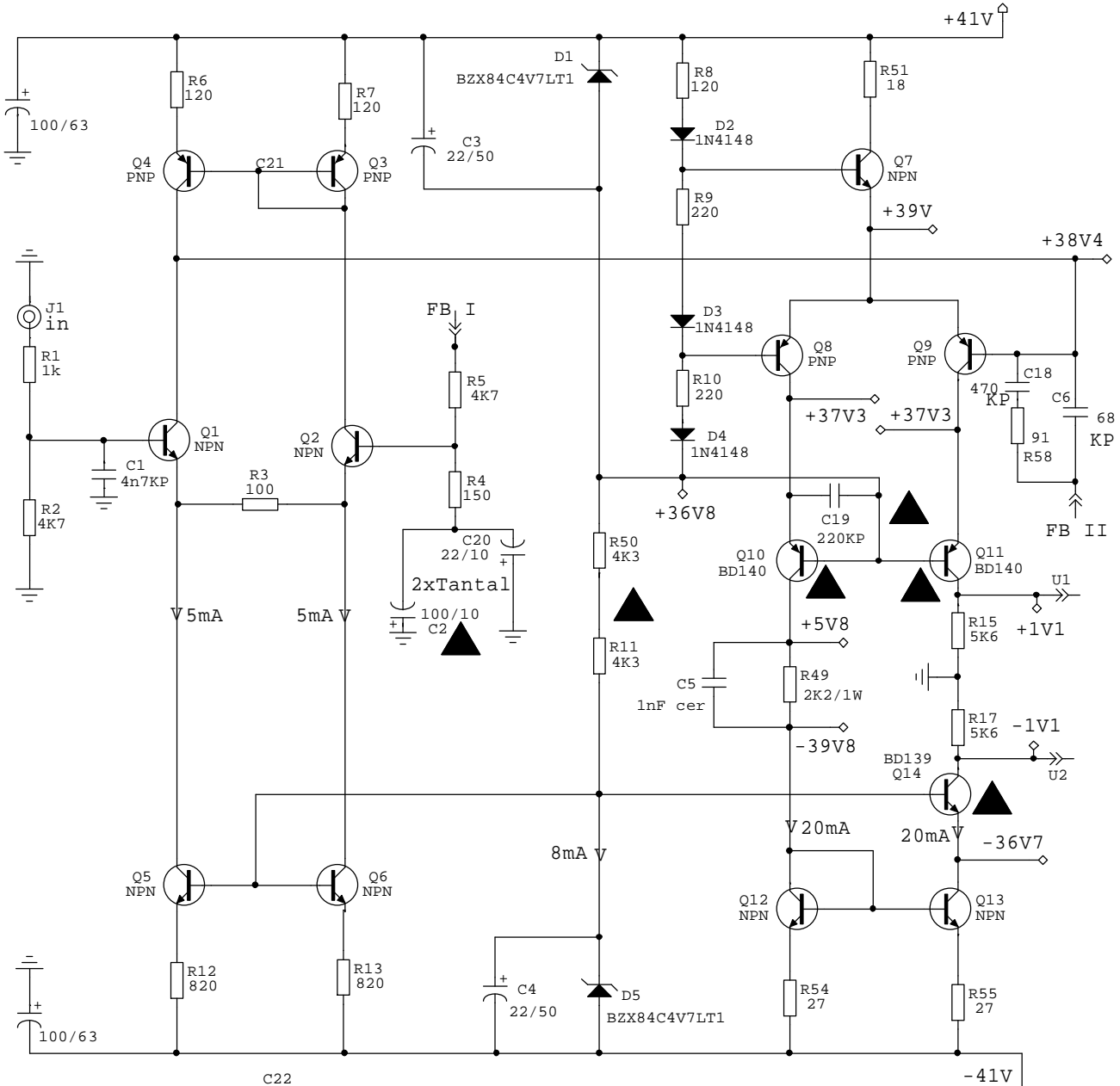
Linn LK 2, LK 2-80, input-stage, second stage (voltage amplifier)

Service-Tips for higher reliability throught replacement of follow devices:



R49 in 2K2,5Watt (low inductance!!), R11/R50 in 4K3, 5W or one 9K1, 10W, C2 in 100/450 or 100/63 bipolar (Elcap for speaker-crossover-networks), C20 in 4u7 MKP, Heatsink for Q10,11 and 14 (Ploss 700 - 800 mW), C5, C19 C18 in devices from the german company "WIMA", the same values, however

→ all values of voltage measured to ground



Typen ohne Angabe:
NPN-Transistor: Zetex ZTX 653
PNP-Transistor: Zetex ZTX 753
Dioden: 1N4148

Power dissipation in Q10,
Q11, Q14: 700-800mW

