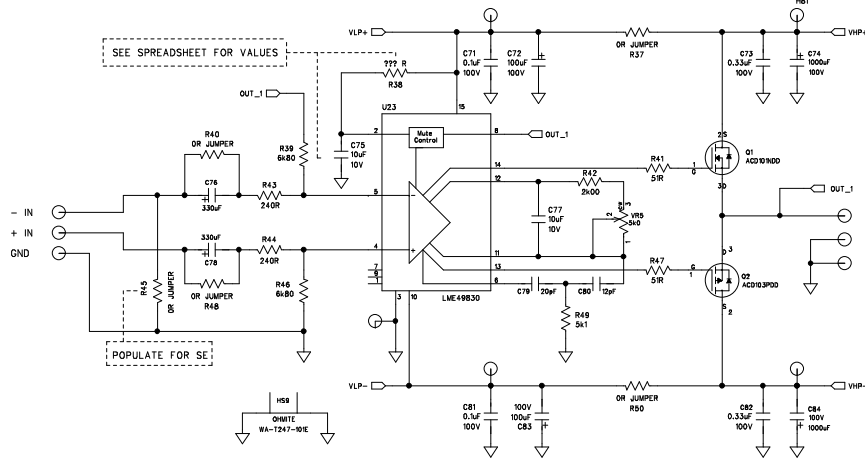


REVISION RECORD			
LTR	EDD NO.	APPROVED:	DATE:



COMPANY:			
TITLE: LME49830 Power Amplifier			
DRAWN: ODC	DATED: 9/13/2011	CODE:	REV1: A
CHECKED:	DATED:	SIZE: D	DRAWING NO: 01-04
QUALITY CONTROL:	DATED:	SCALE: SHEET: 5 OF 5	
RELEASED:	DATED:		