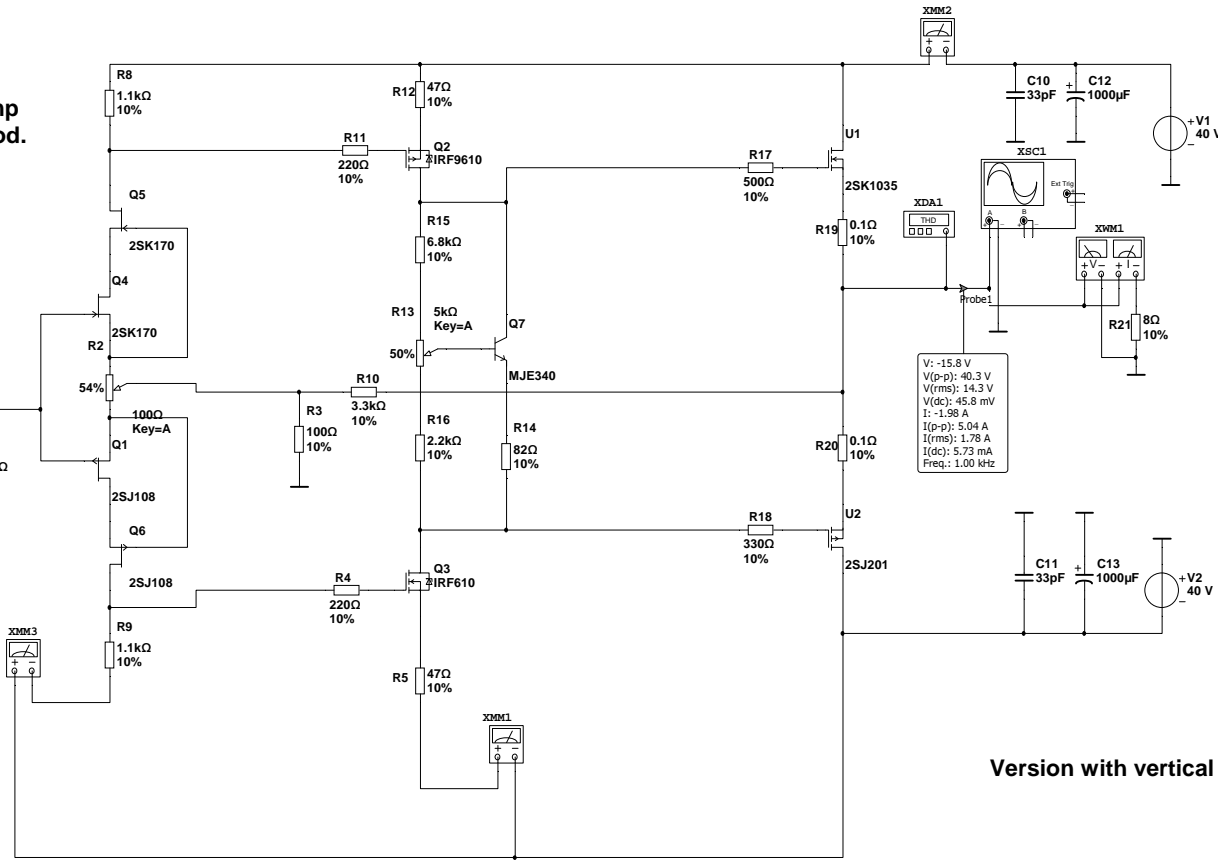
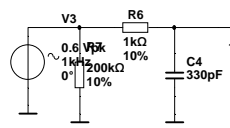


Q2 and Q3 has to be mosfet with low gate capacity, like small current mosfets 0.5 amp the 2sj79 and 2sk216 are good.

R2 offset



V: -15.8 V
V(p-p): 40.3 V
V(rms): 14.3 V
V(dc): 45.8 mV
I: -1.98 A
I(p-p): 5.04 A
I(rms): 1.78 A
I(dc): 5.73 mA
Freq.: 1.00 kHz

Version with vertical mosfets.