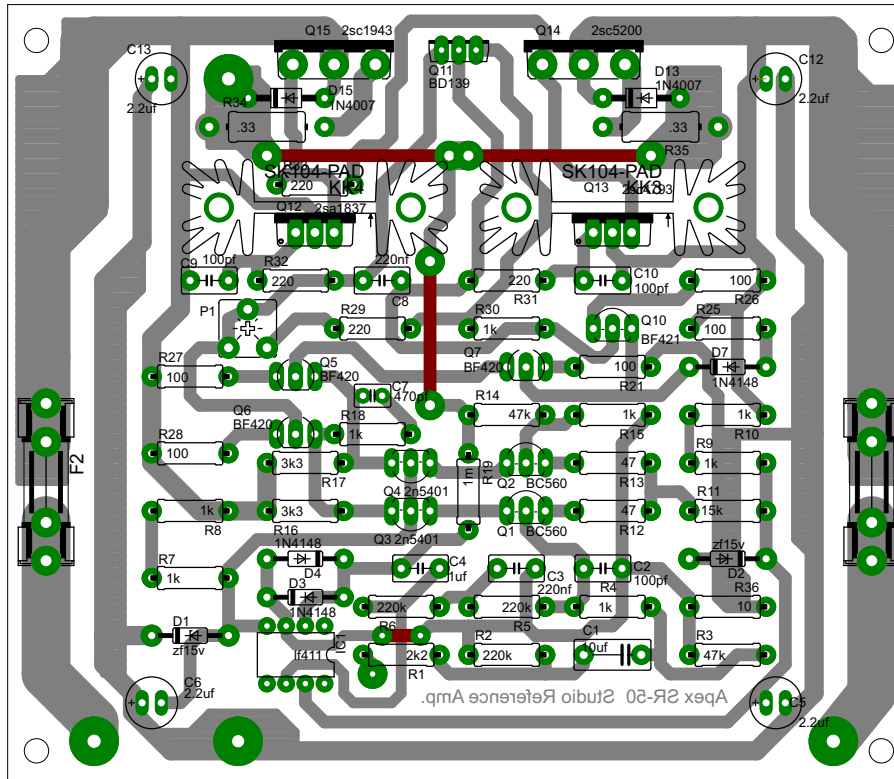
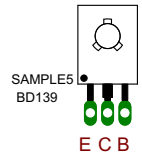
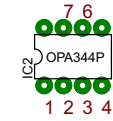


SPKR.

4.05"



v- GND. IN 4.70" v+



2=input-
3=input+
4=V-
6=OUTPUT
7=V+

