

FIG1: A single supply preamplifier.

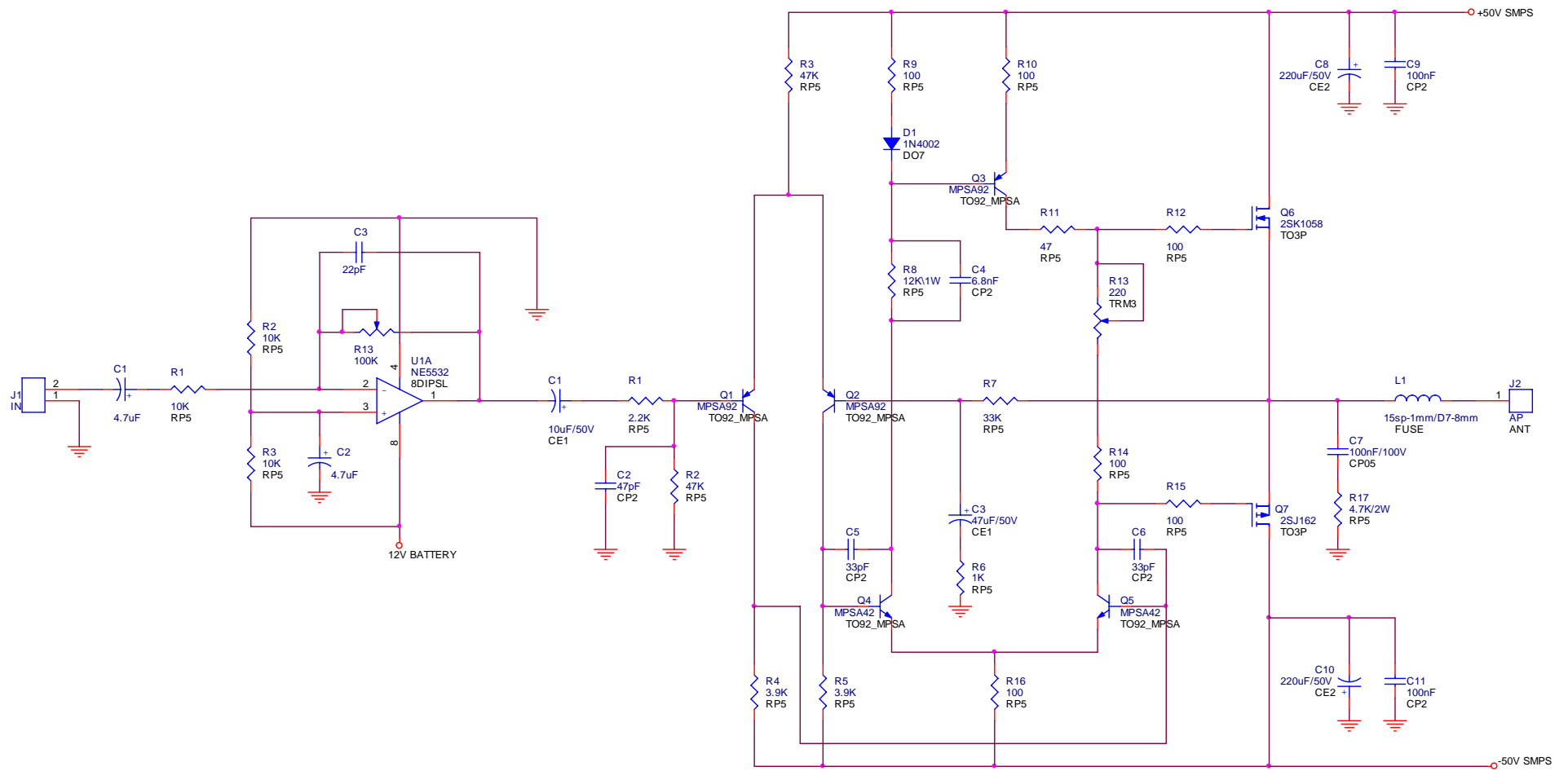


FIG2: A single supply preamplifier without C4.

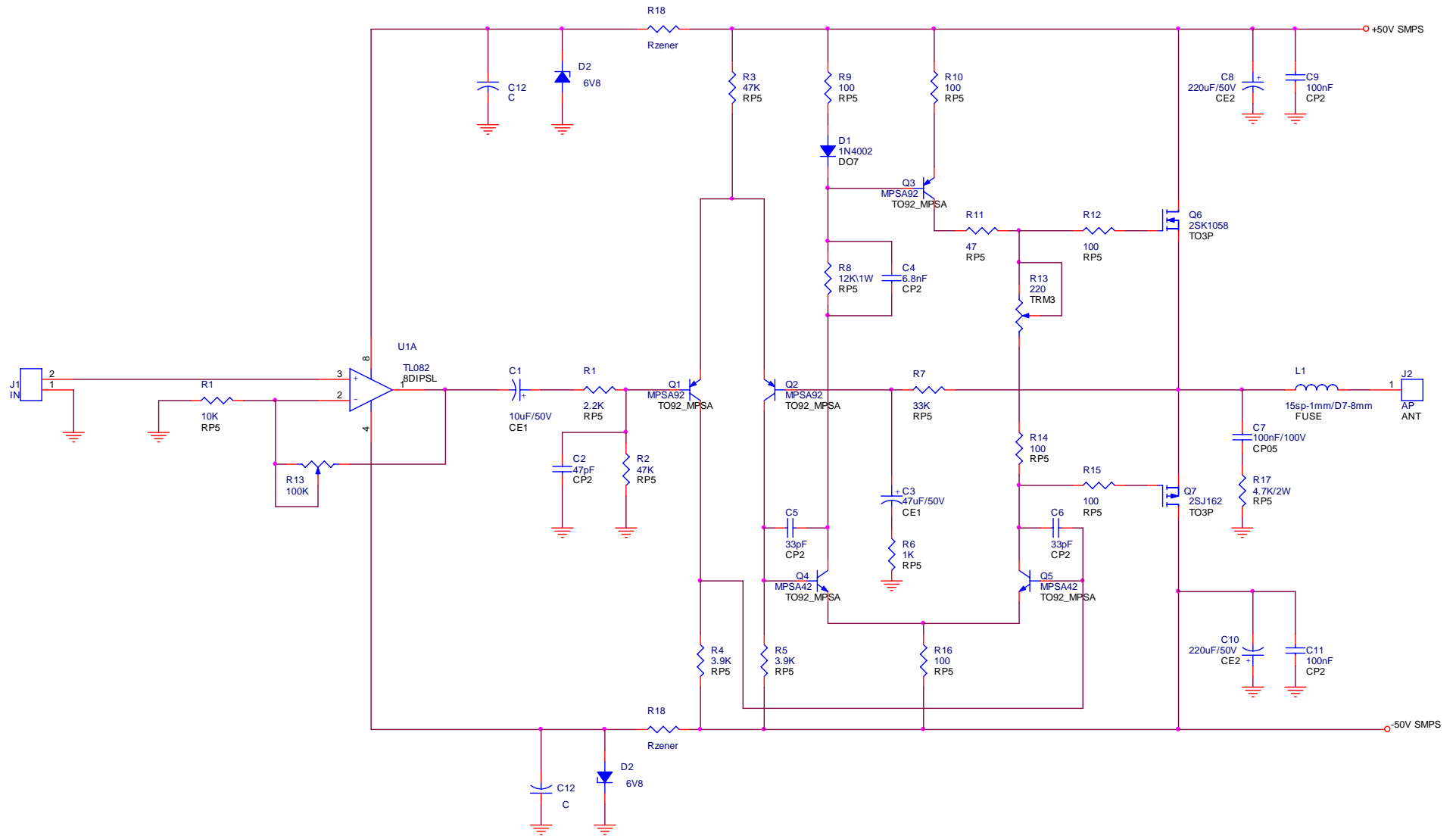


FIG3: Split supply provided by SMPS

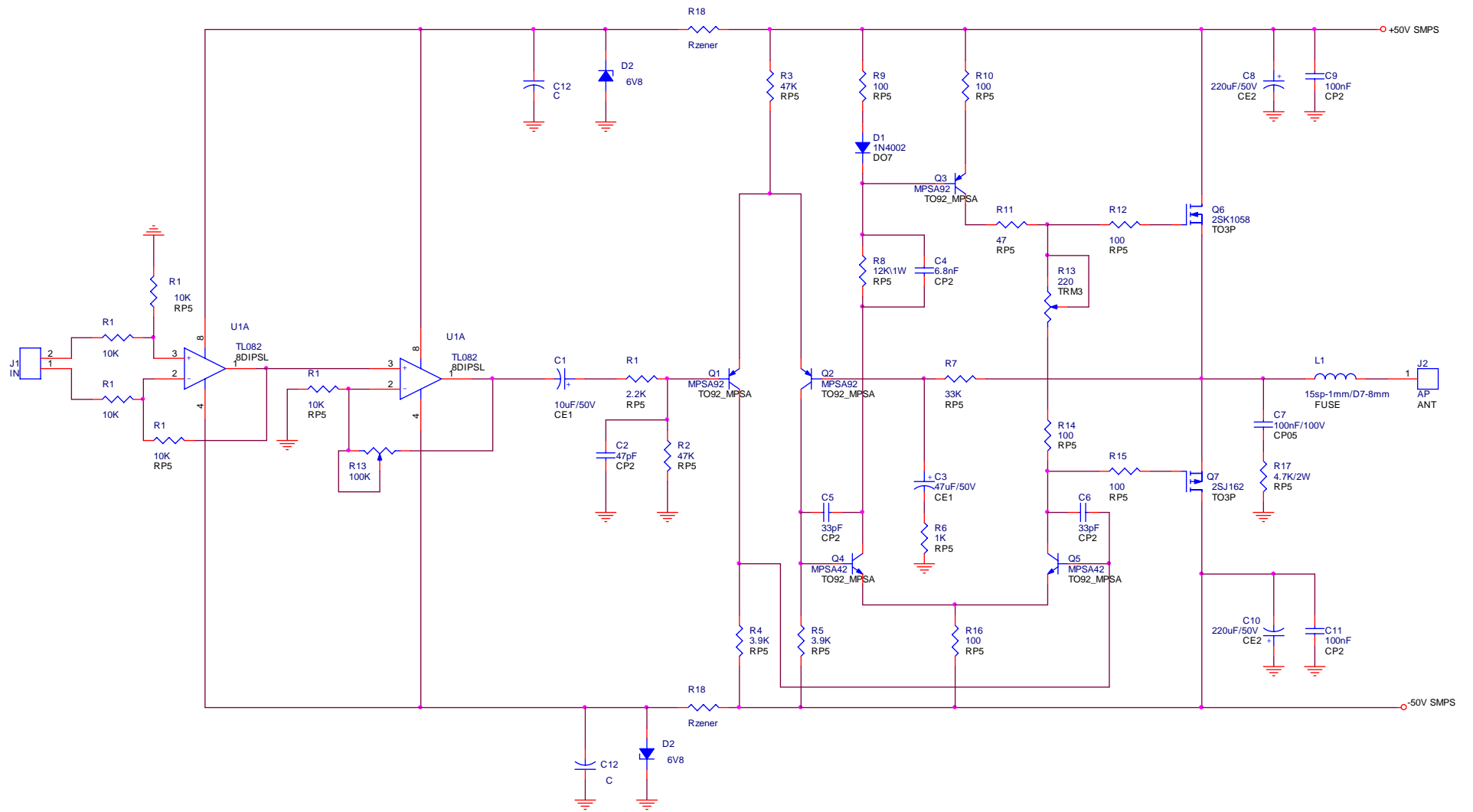
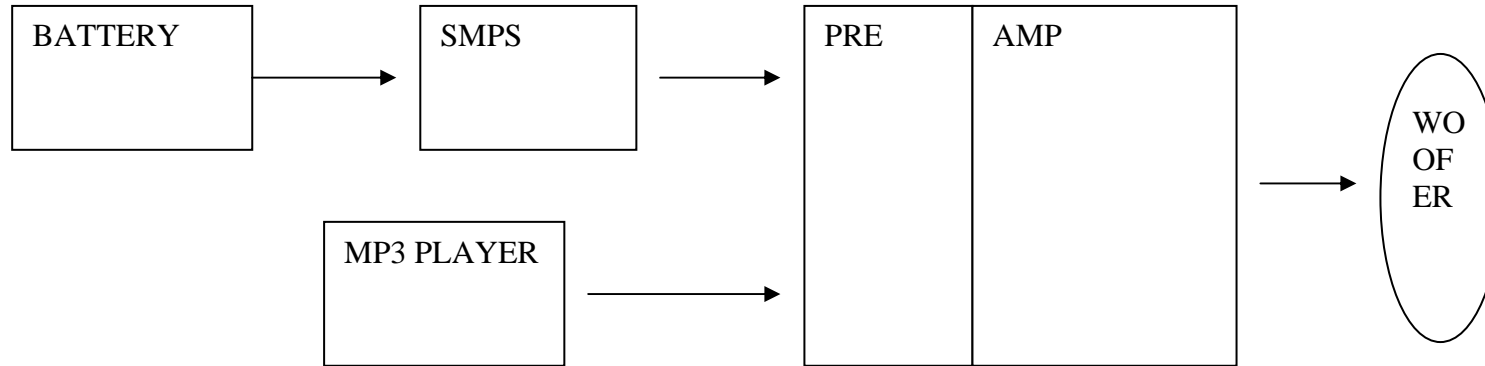


FIG3: differential op amp and preamplifier

BLOCK DIAGRAM: Working configurations



BLOCK DIAGRAM: CONFIGURATION NOT WORKING: when increase the volume the subwoofer oscillate

