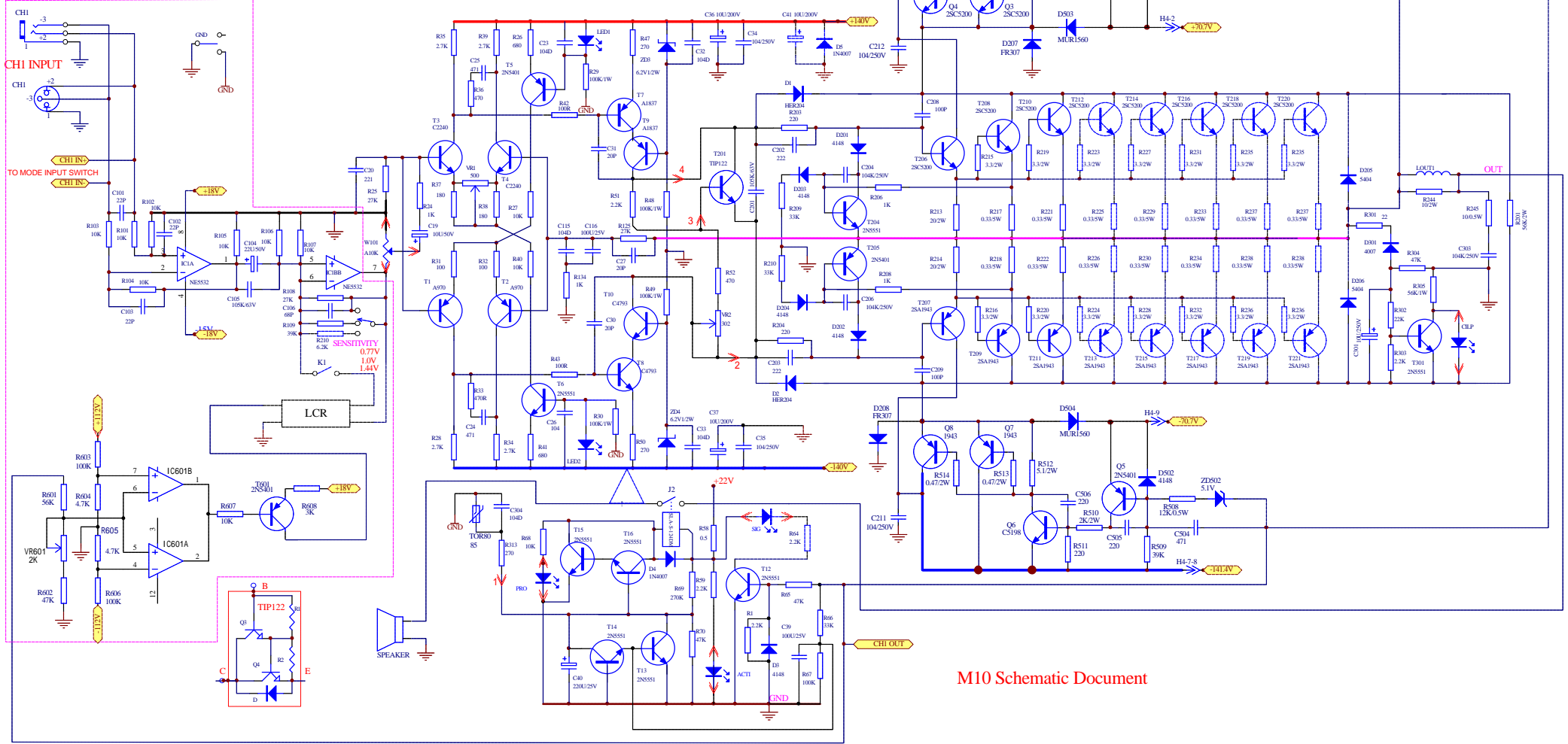
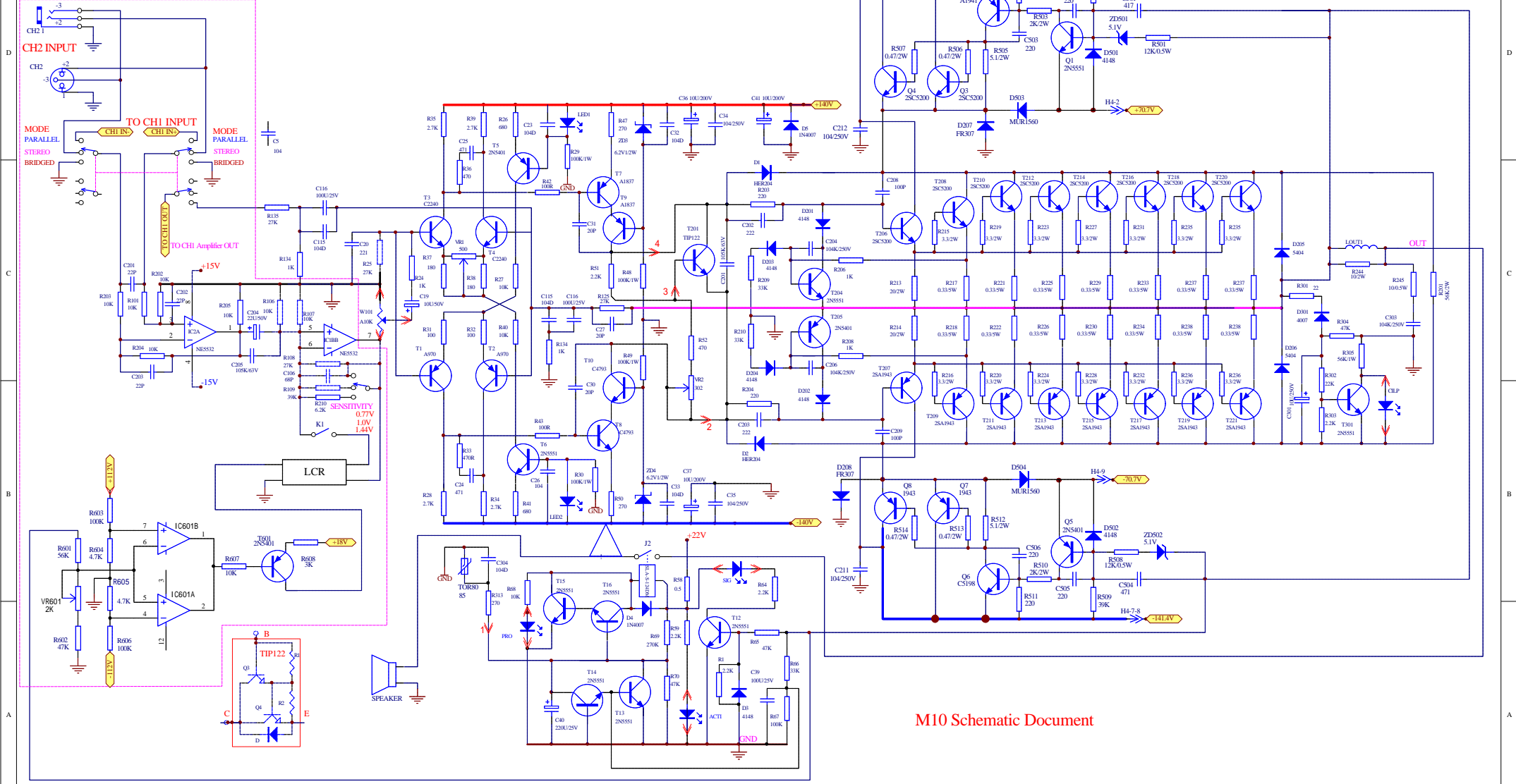


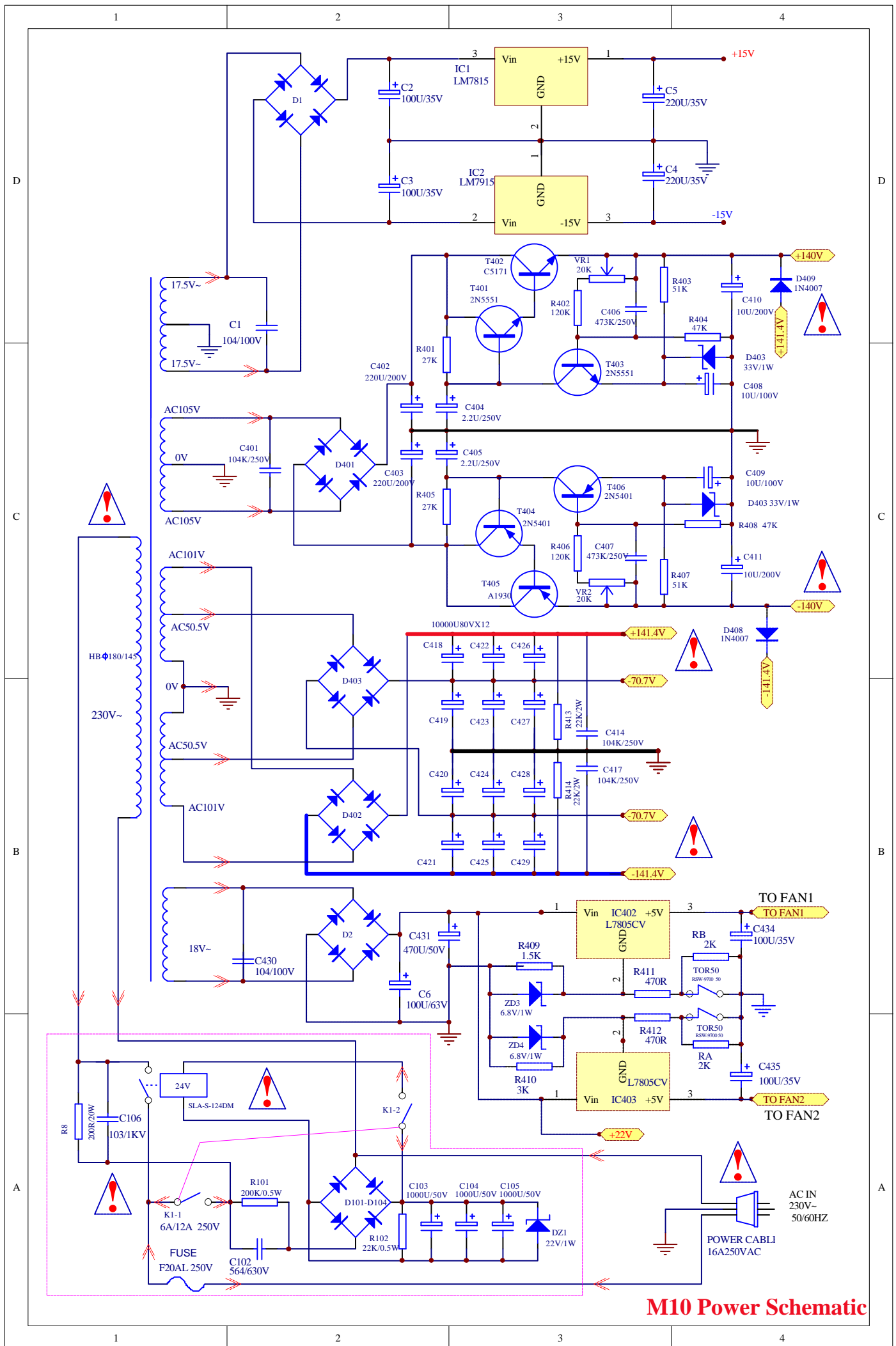
CH1 Power Amplifier



M10 Schematic Document

CH2 Power Amplifier





M10 Power Schematic