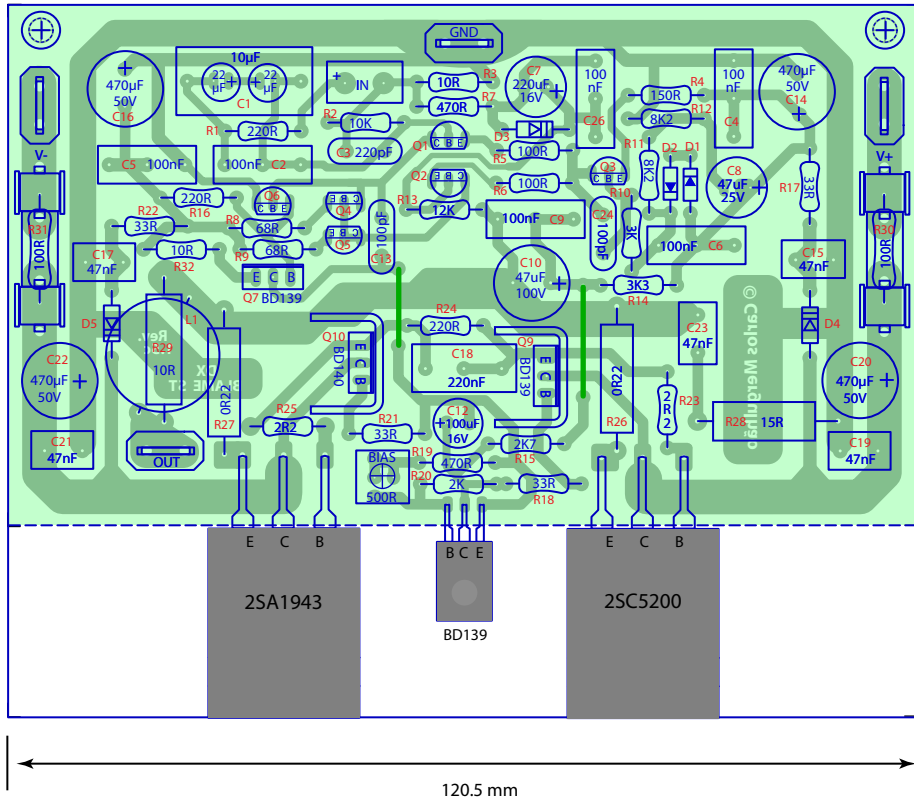


DX BLAME ST Rev. 1.5c - May 2, 2010



L1 - Output coil: 8 turns of 1mm solid wire, 15mm dia., mounts above R29

