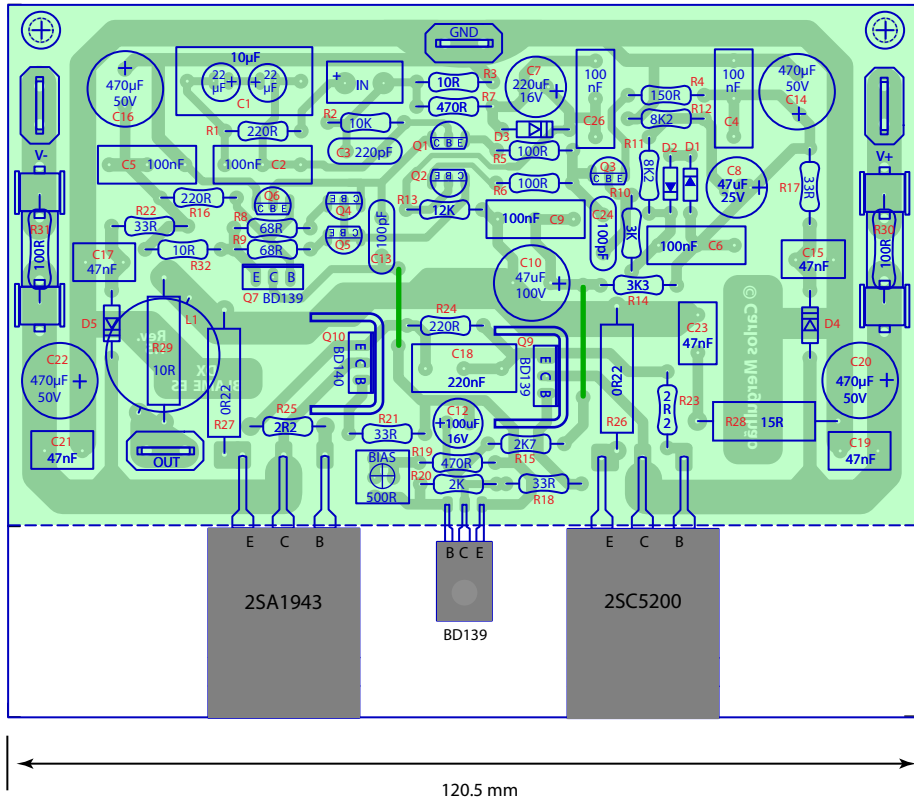


DX BLAME ES Rev. 1.5 - Mar. 28, 2010



L1 - Output coil: 8 turns of 1mm solid wire, 15mm dia., mounts above R29

