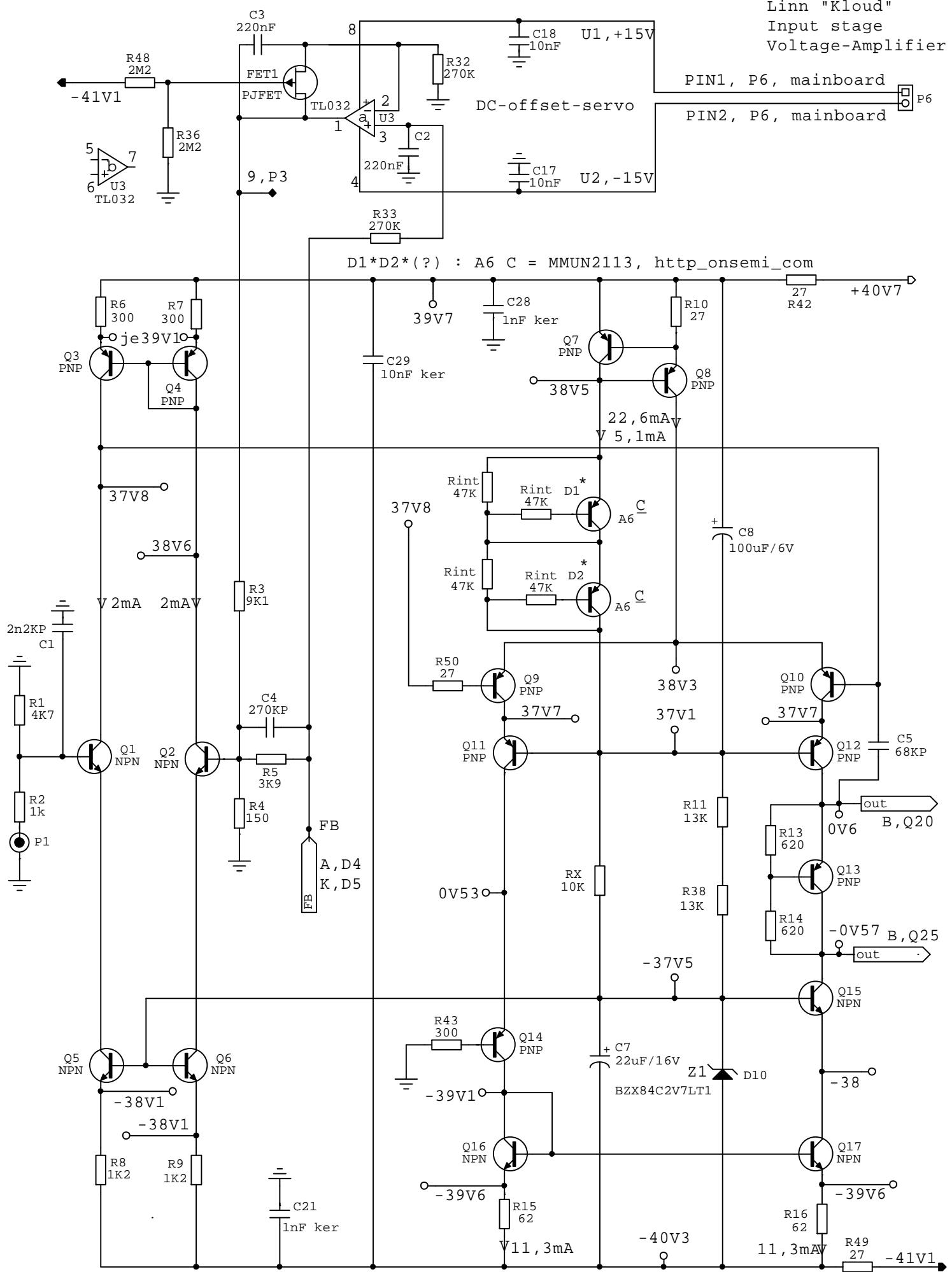
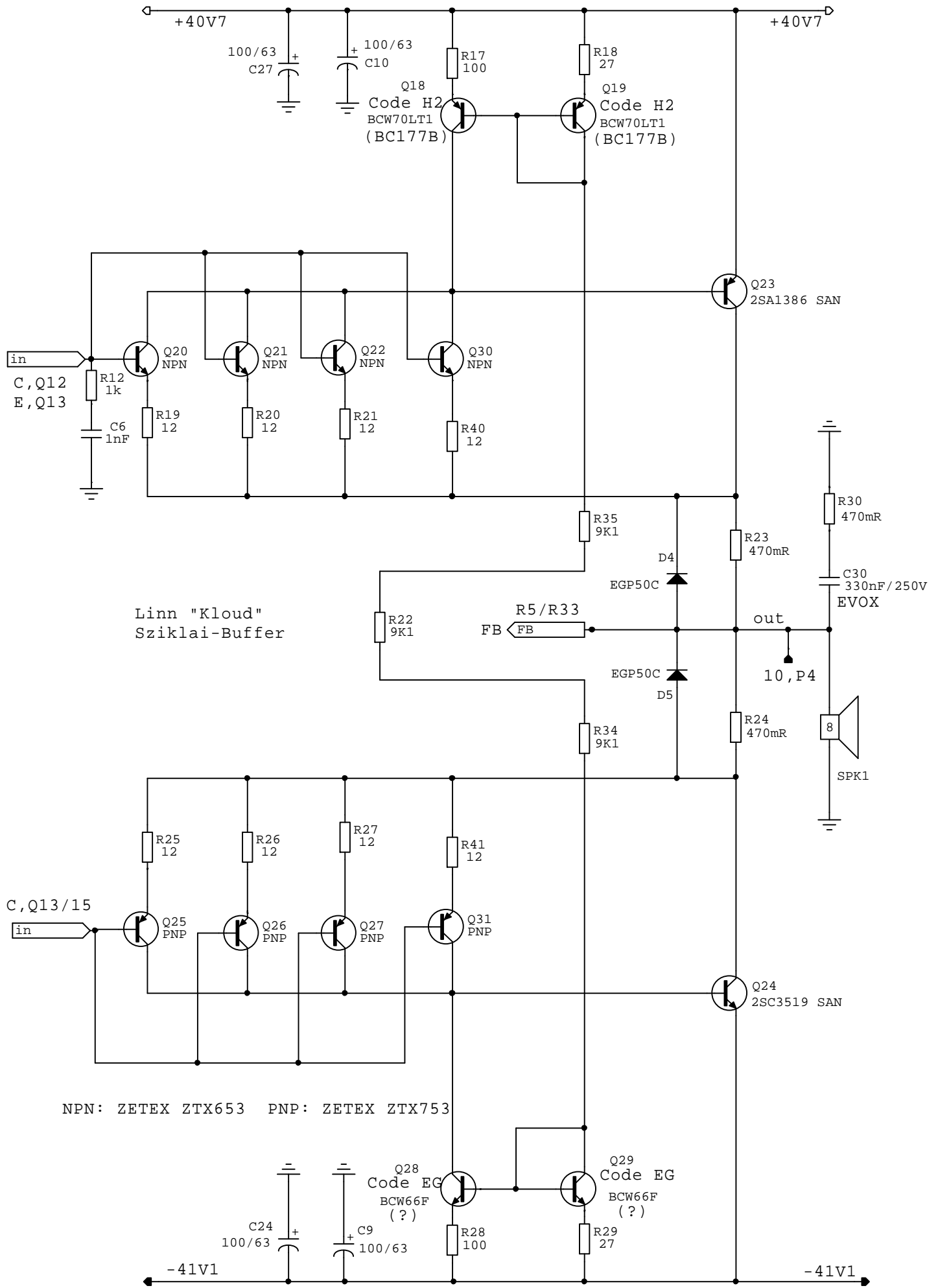
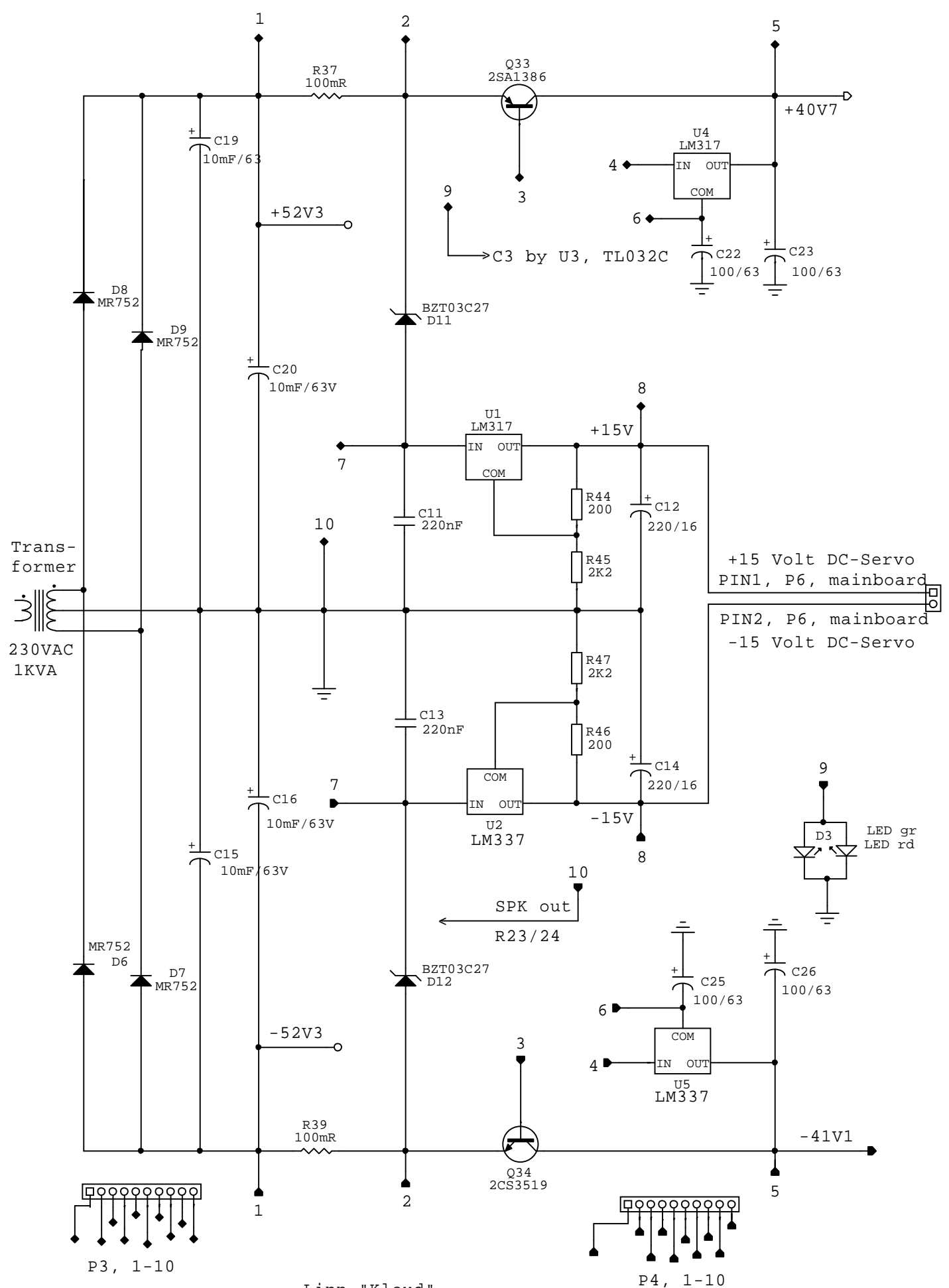


Linn "Kloud"  
Input stage  
Voltage-Amplifier



NPN: ZETEX ZTX653 PNP: ZETEX ZTX753





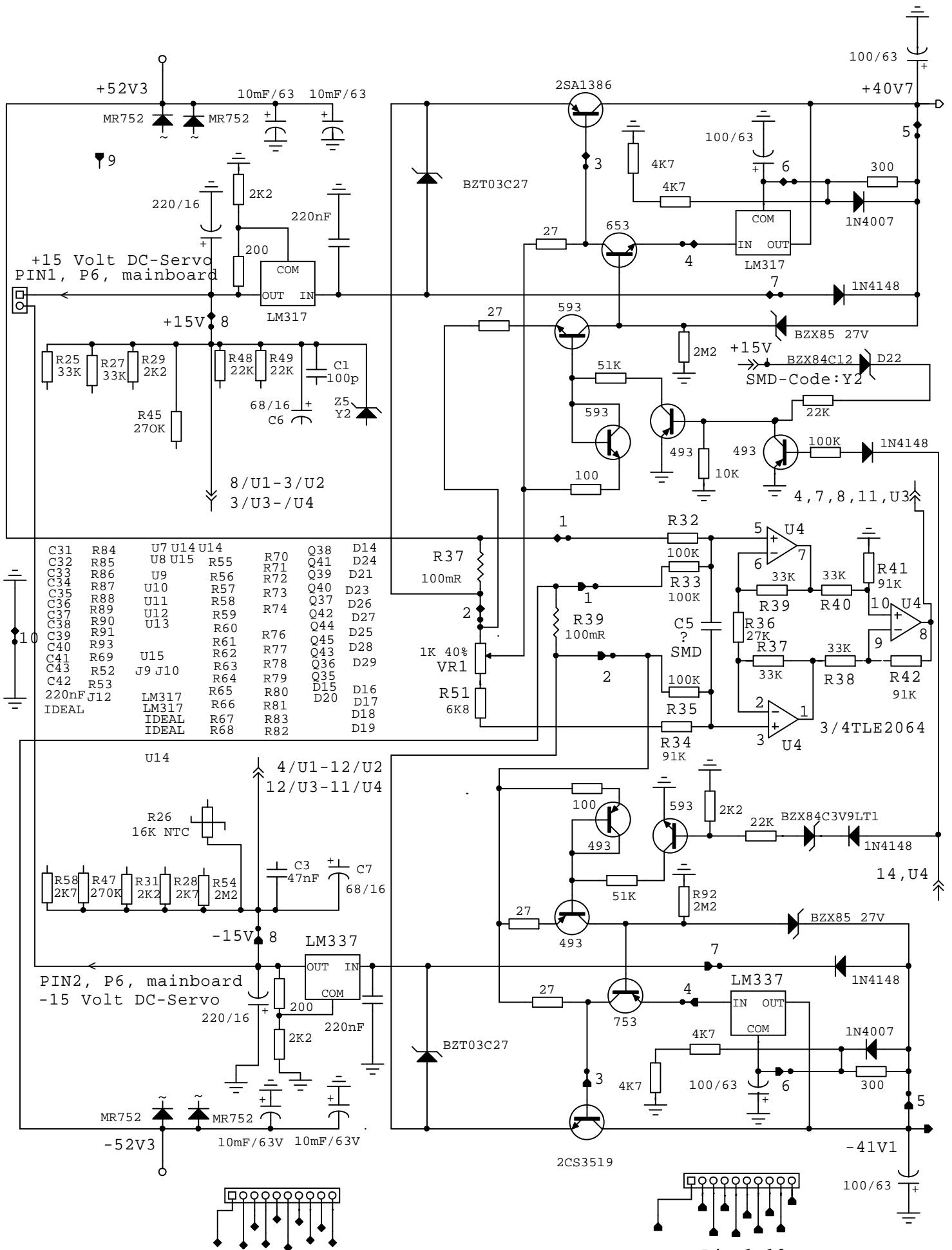
Linn "Kloud" Power supply

Linn Kloud Servicetipps:

- 1) Bypass C21/C28: 100uF/100V - parallel mit/with 2,2 uF, WIMA MKS
- 2) R42/R49: replace/ersetzen through/durch 27 Ohm, 2 Watt MOX

Typ nicht eindeutig zu identifizieren/not exactly determine:

D1, D2, Q28, Q29, C5, D22 (Zenerdiode, code: Y2)

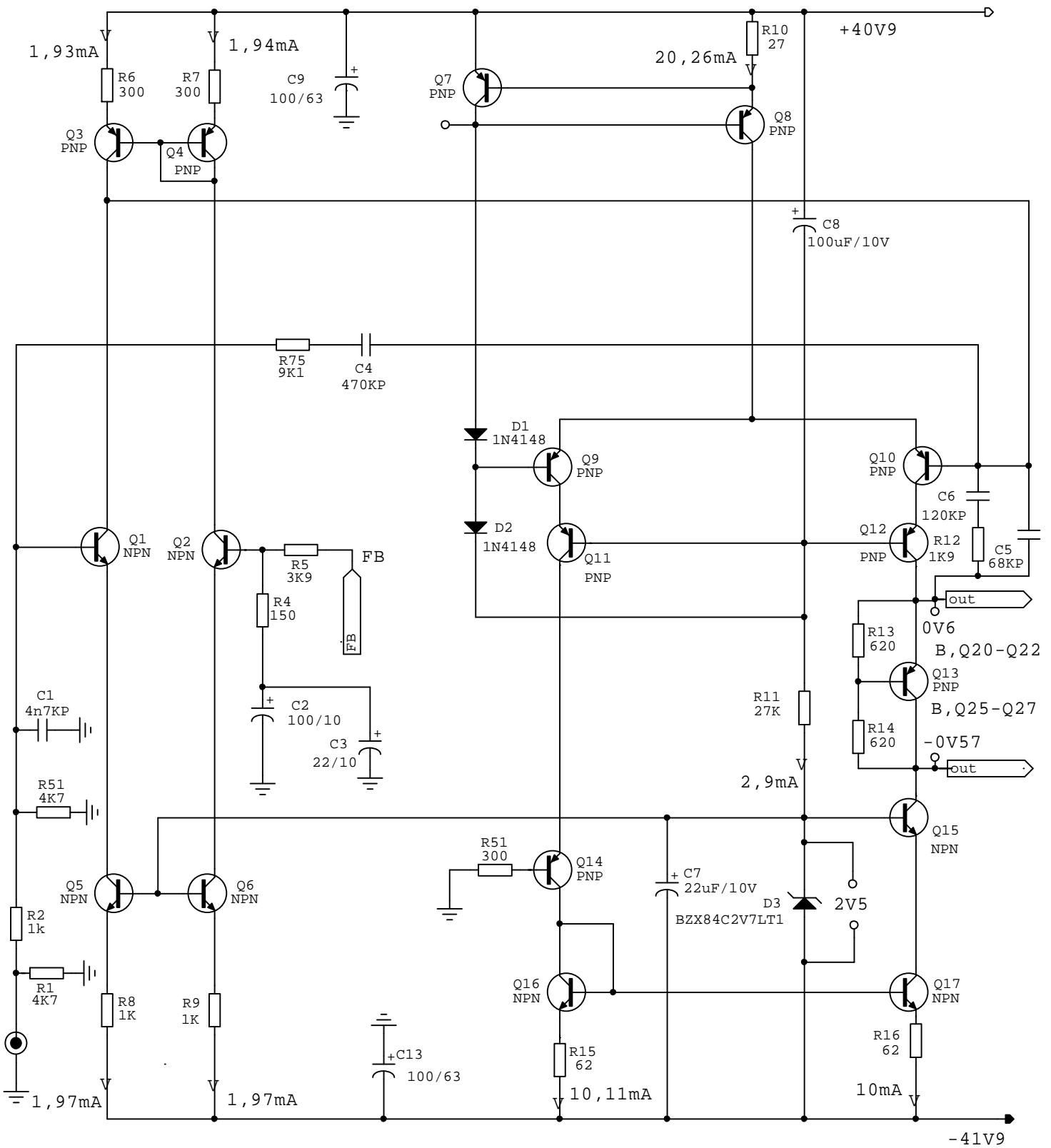


C31	R84	U7	U14	U14	Q38	D14
C32	R85	U8	U15	R55	R70	D24
C33	R86	U9	R56	R71	Q41	D21
C34	R87	U10	R57	R72	Q39	D23
C35	R88	U11	R58	R73	Q40	D25
C36	R89	U12	R59	R74	Q42	D26
C37	R90	U13	R60	R76	Q44	D27
C38	R91		R61	R77	Q45	D28
C39	R93	U15	R62	R78	Q43	D29
C40	R99	J9	R63	R79	Q35	D16
C41	R99	J10	R64	R80	D15	D17
C43	R52		R65	R81	D20	D18
C42	R53		R66	R82		D19
220nF	J12	LM317	R67			
IDEAL		LM317	R68			
		IDEAL				
		IDEAL				

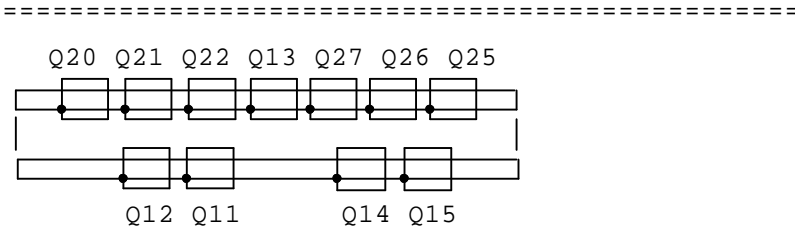
P3, 1-10

Linn "Kloud" Power supply - connection to overcurrent sensor

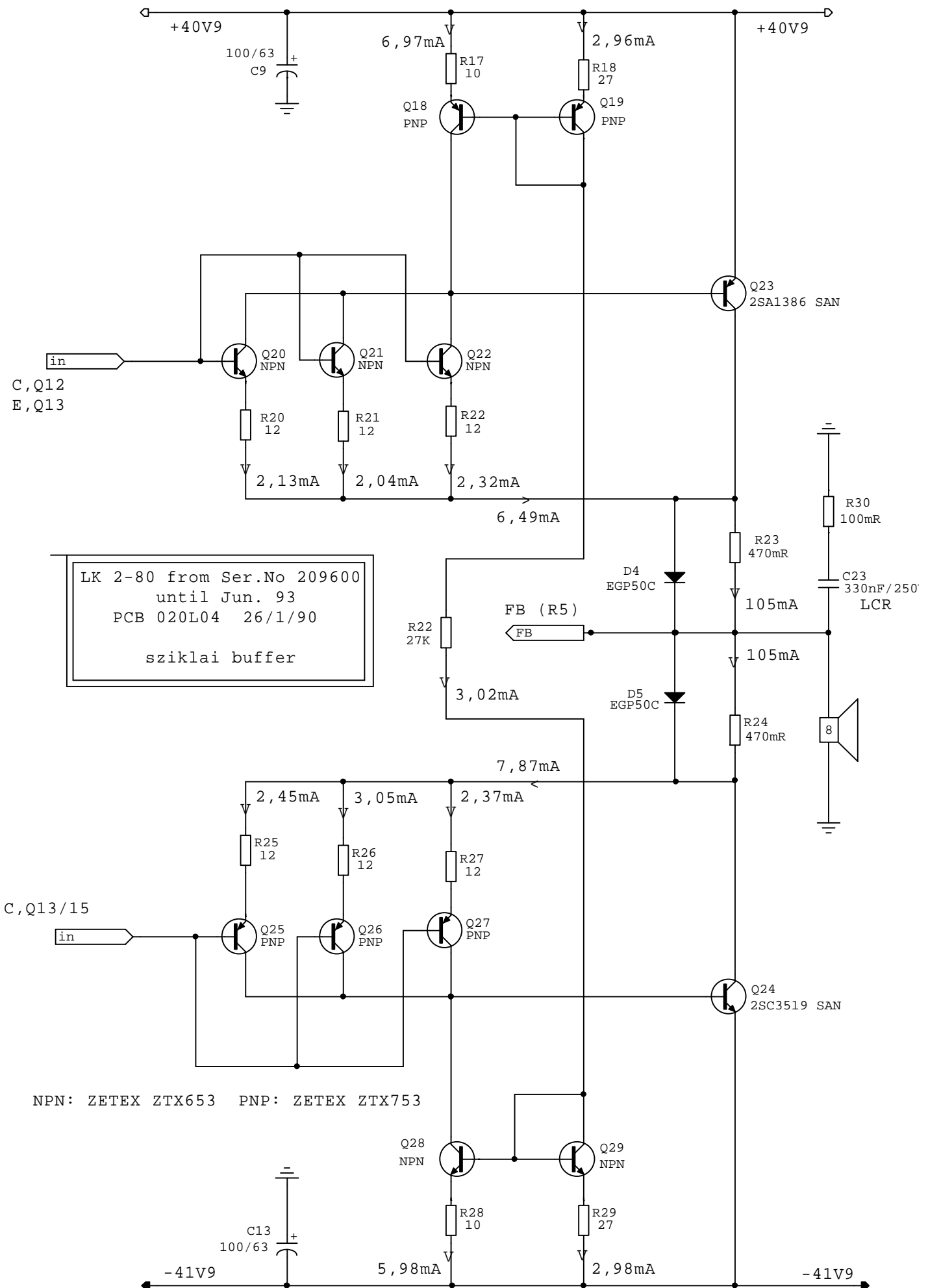
P4, 1-10



heatsink predriver, top view (component site)



LK 2-80 from Ser.No 209600  
 until Jun. 93  
 PCB 020L04 26/1/90  
 voltage amplifier



D13  
J5

LM317

LM317  
T29  
J6