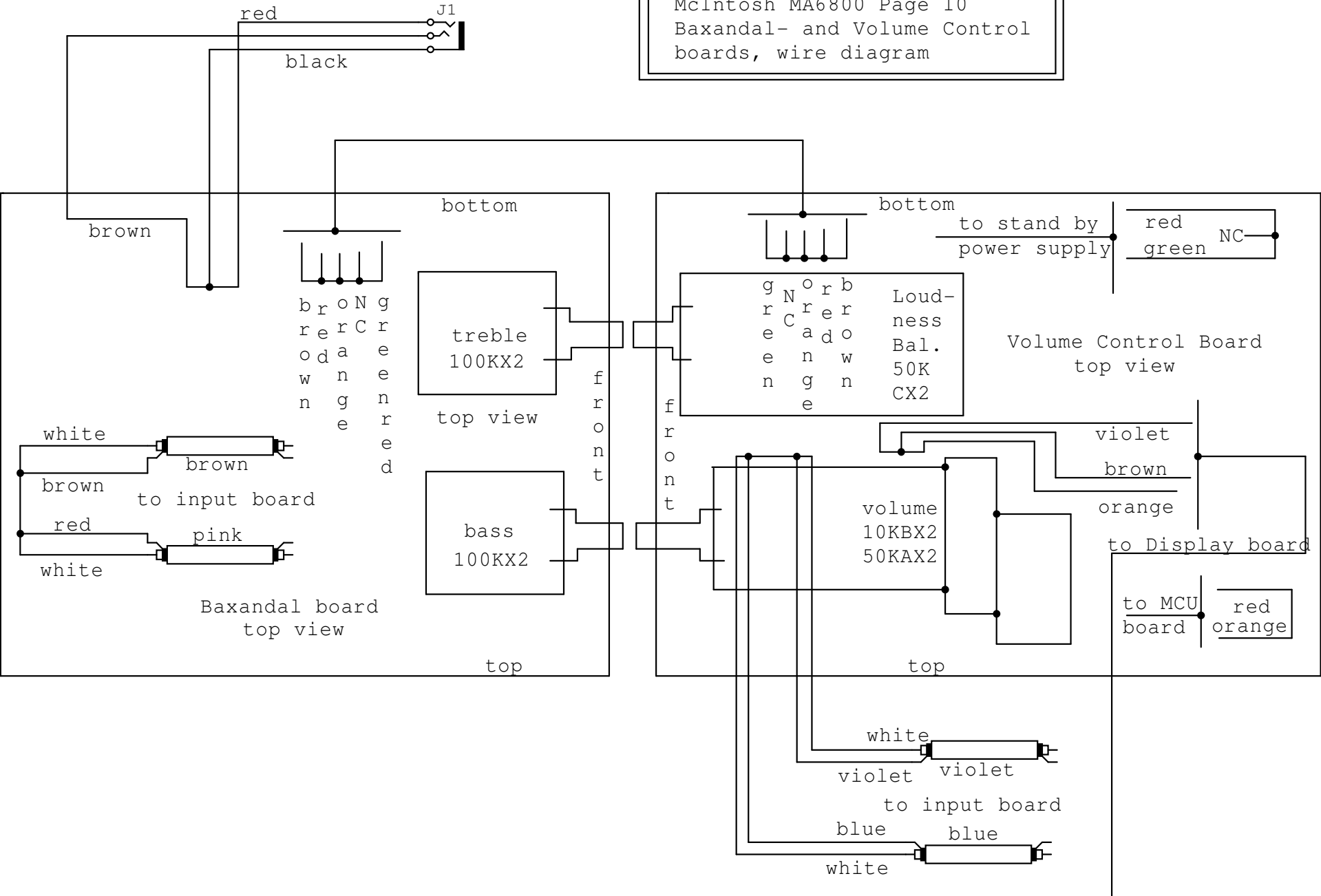
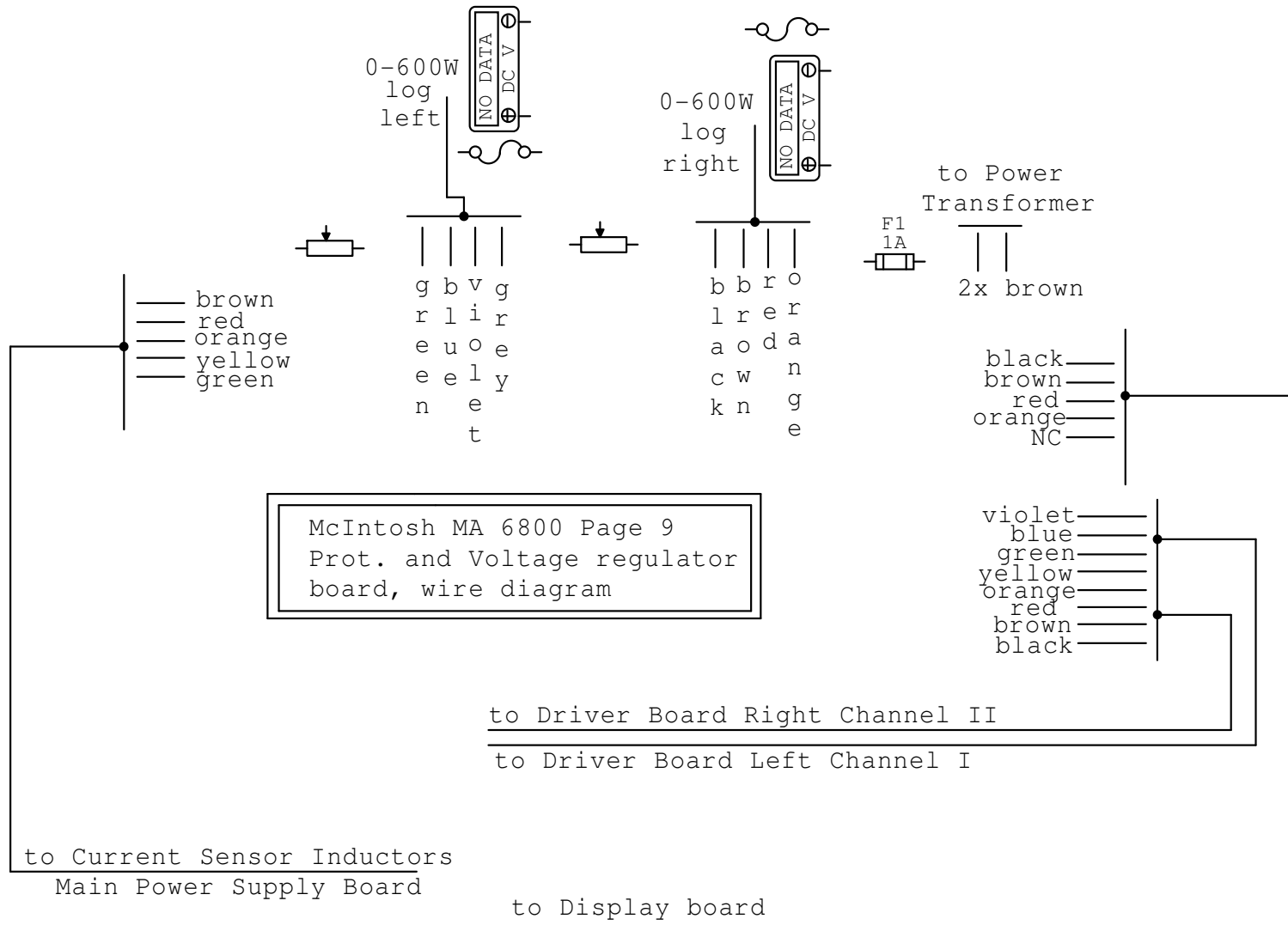



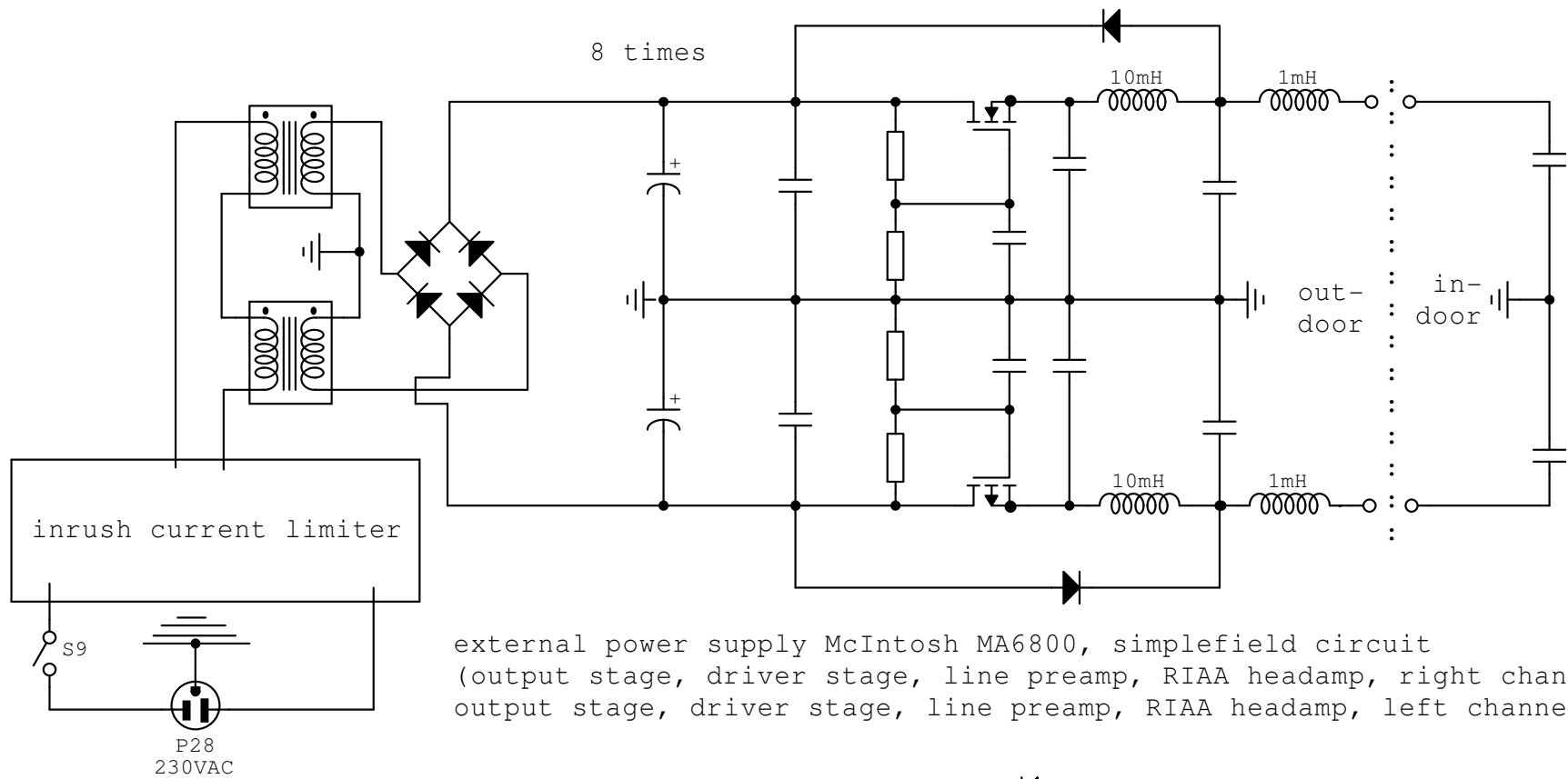
McIntosh MA6800
 Page 8
 Keyboard

McIntosh MA6800 Page 10
 Baxandal- and Volume Control
 boards, wire diagram

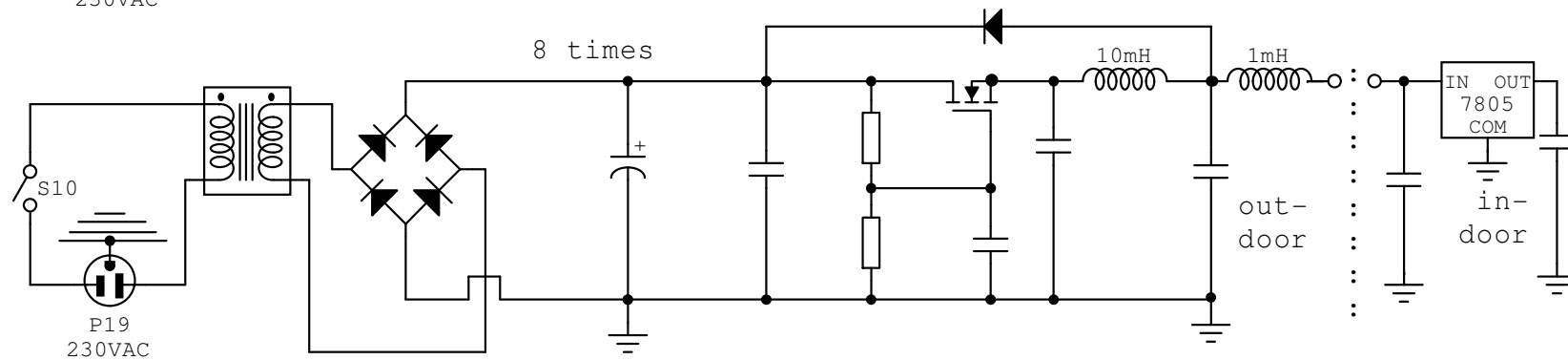




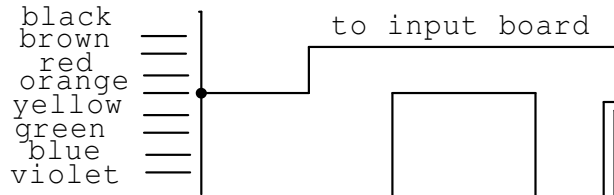
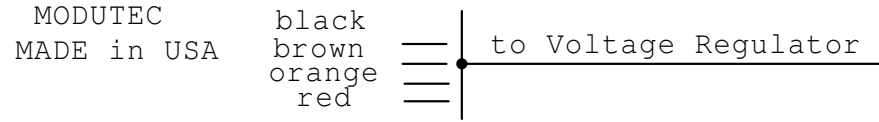
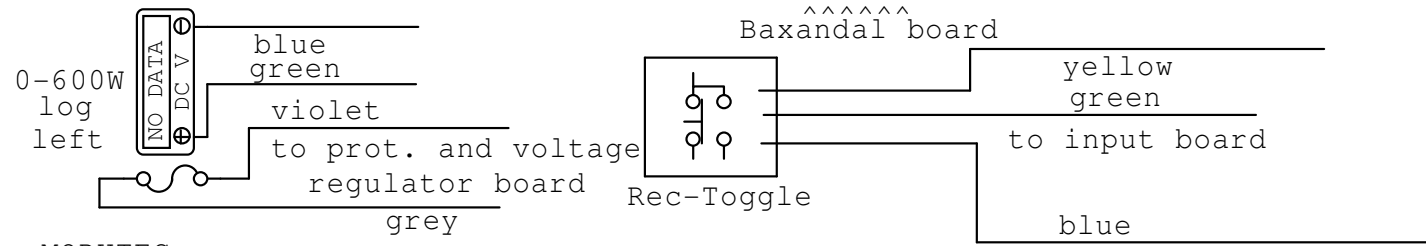
 = Illumination



external power supply McIntosh MA6800, simplefield circuit
 (output stage, driver stage, line preamp, RIAA headamp, right channel
 output stage, driver stage, line preamp, RIAA headamp, left channel)



external power supply McIntosh MA6800, simplefield circuit
 MCU controller board



McIntosh MA6800 Page 11
Displayboard, wire diagram

— = Illumination
additional 9x

